

# Installation Instruction

## LED Round High Bay

### Cautions:

1. Do not use any electric generator to test the
2. Please abide by related country, regional and
3. Please turn off the power before installation
4. Proper grounding of LED light is required to

### Notice:

1. To avoid possibility of electrical shock or fire
2. Please wear gloves to avoid injury before in
3. If there is any smoke or spark observed in t relevant personnel.
4. Please use listed water proof strain relief bu

### Attention:

1. Please check if there is any damage during
  2. Please read the installation instruction care
- After confirmation, install the led light accordin

### Wiring Diagram & Instruction:

This LED highbay light can be equipped with optional DC motion sensor, and is available with 0/1-10V dimming function, with following 3 dimming solutions:  
0/1-10V dimming,  
Intelligent dimming with DC motion sensor  
Pre-install tool-free handling DC motion sensor dimming module, and choose dimming module, and choose dimming function freely

Please use dimming+, dimming-(DC 10V) mark  
The pink wire and black wire with shrinkable tube  
Class 1 Wiring Only.  
Please assure a cumulative leakage current o

**Installation Methods: Hook Mount, Ceiling**  
**suitable installation method for the purcha**

### Hook mount:

1. Screw the hook into the fixture.  
tighten and fix it. (Figure1)
2. Hang the fixture on the ceiling hook or chain. (Figure2)
3. After installation, connect the wire of the fixture to the mains according to the local wiring rules, ensure the connection is stable. And make good protection on the connect

# Installation Instruction

## LED Round High Bay

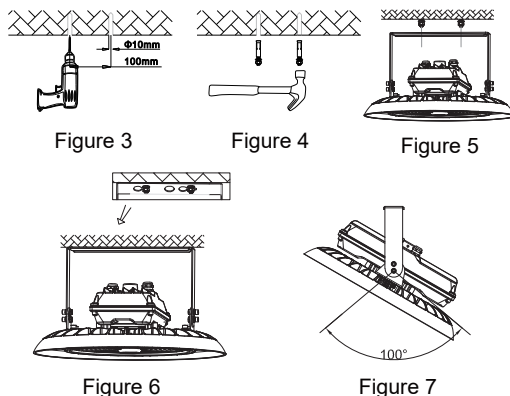
Applicable models:  
SEL-RHB

# Installation Instruction

## LED Round High Bay

### Ceiling Mount:

1. Mark with a mark pen or sharp tool on the mounting surface and drill. (Figure3)
2. Fix screw into the hole with a hammer. (Figure4)
3. Align the bracket hole with screw hole(Figure5) and push the fixture to one side(Figure6) and fix it.
4. After installation, connect the wire of the fixture to the mains according to local wiring rules,ensure the connection is stable and make Good protection on connection.By adjusting the brackets screws,user can adjust 50° to the left or right vertically. (Figure7)



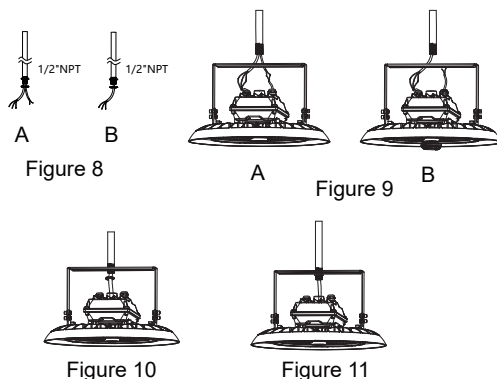
### Optional Function

The fixture has integrated function of 3 Power selectable. The setting could be customized. Operation: Take away the water-proof gasket, adjust dip switch to choose Power as per sign. The original setting could be either as factory default or customized request(Figure 12-2).

**Notes:** If there is a safety rope in the accessory hole on the back of the fixture, after installation of mounting end.

### 1/2"NPT Mount

1. Unscrew the nuts on 1/2" NPT. (Figure8)
2. Insert 1/2" NPT stem into the bracket hole. (Figure9)
3. Re-screw the nuts. (Figure10)
4. After installation, connect the wire of the fixture to the mains according to local wiring rules,ensure the connection is stable and make Good protection on connection.By adjusting the brackets screws,user can adjust 50° to the left or right vertically. (Figure11)



### Installation of DC motion sensor

Figure 12-1. If fixture has sensor receptacle installed, screw the 1/2" Knockout out with screw driver by illustrated direction, and screw the sensor kit on. The sensor is set as universal mode(refer to sensor spec sheet), the setting is programmable via remote control(the remote control is not included in standard packing).

