

Installation Instruction

LED DeltaLum EC2 Strip

Applicable models:
DL-EC2

WARNING

- To reduce the risk of death, personal injury or property damage from fire, electric shock, falling parts, cuts/abrasions, and other hazards read all warnings and instructions included with and on the fixture box and all fixture labels.
- Before installing, servicing, or performing routine maintenance upon this equipment, follow these general precautions.
- Commercial installation, service and maintenance of luminaires should be performed by a qualified licensed electrician.
- For the installation: If you are unsure about the installation or maintenance of the luminaires, consult a qualified licensed electrician and check your local electrical code.
- To prevent wiring damage or abrasion, do not expose wiring to edges of sheet metal or other sharp objects.
- Do not make or alter any open holes in an enclosure of wiring or electrical components during kit installation.

WARNING

- Turn off electrical power at fuse or circuit breaker box before wiring fixture to the power supply.
- Turn off the power when you perform any maintenance.
- Verify that supply voltage is correct by comparing it with the luminaire label information.
- All wiring connections should be capped with UL approved wire connectors.

CAUTION

- Avoid direct eye exposure to the light source while it is on.
- Account for small parts and destroy packing material, as these may be hazardous to children.
- Risk of burn. Disconnect power and allow fixture to cool before changing bulb or handing fixture.

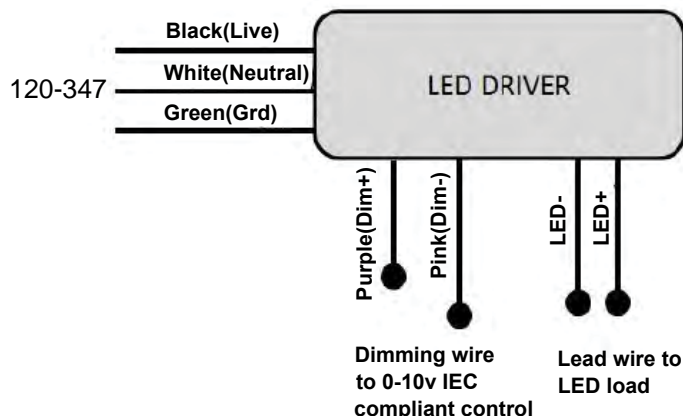
NOTICE: Green ground screw provided in proper location. Do not relocate.

NOTICE: Minimum 90° supply conductors.

NOTICE: Specifications and dimensions subject to change without notice.

NOTICE: Suitable for Dry or Damp location

General Wiring Diagram



Note: The CCT-adjustable function integrated Driver will have one more "LED-" output wire.

Installation Instruction

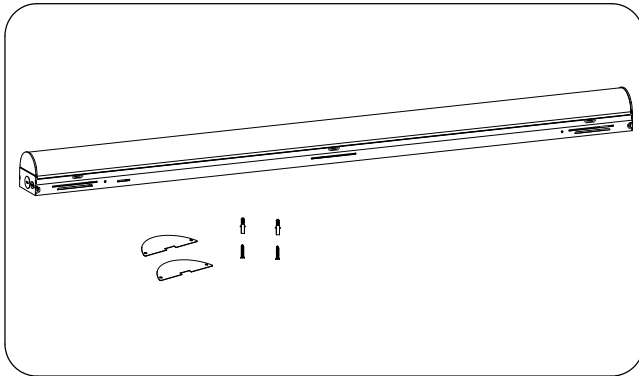
LED DeltaLum EC2 Strip

Applicable models:
DL-EC2

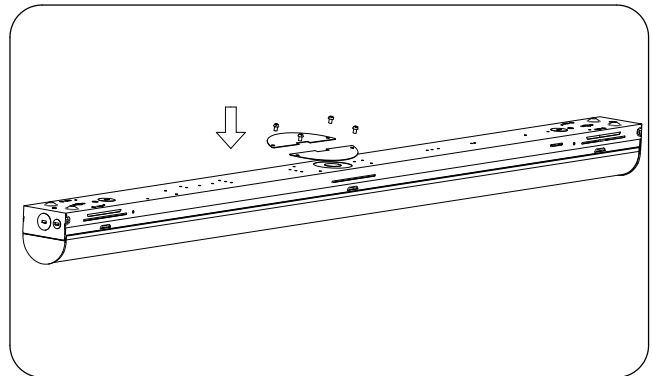
Surface Mounting

Notice: Always turn off the power supply from main circuit breaker first!

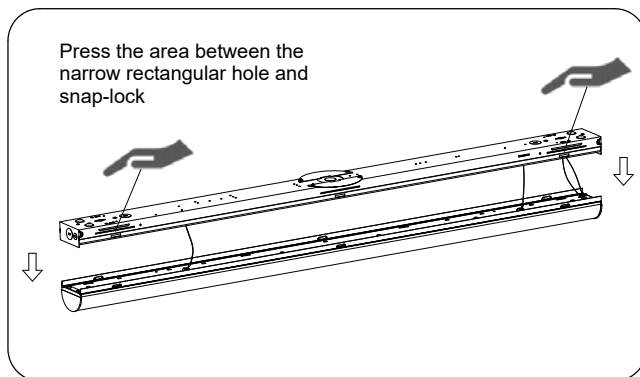
1. Take out the light fixture and accessories package from the box.



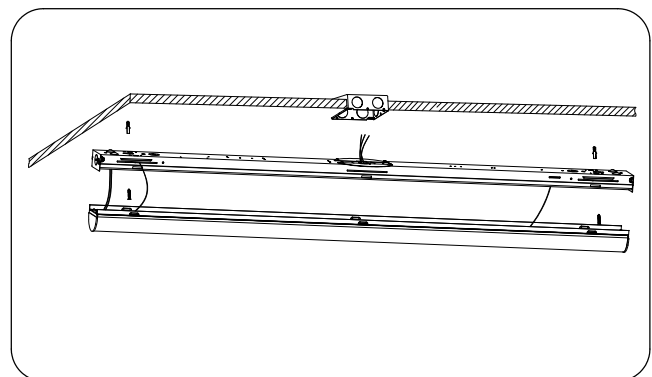
2. Fix the baffle onto the back of the fixture.



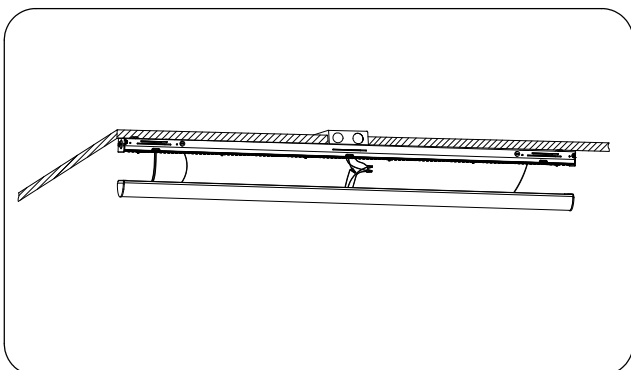
3. Open the module board down.



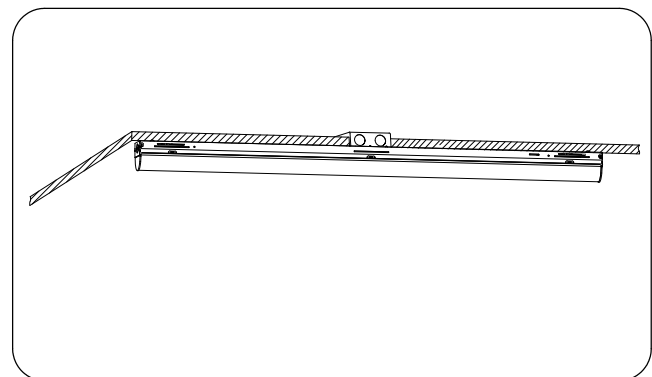
4. Fix the luminaire to the ceiling with the plastic anchors and screws(not included).



5. Wire to main power through the junction box.



6. Assemble the module board upwards. The installation is completed.



Installation Instruction

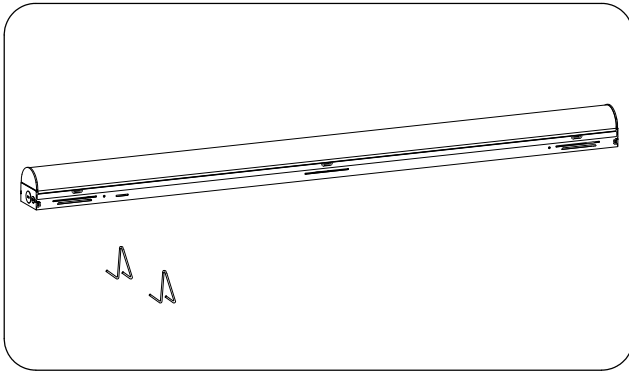
LED DeltaLum EC2 Strip

Applicable models:
DL-EC2

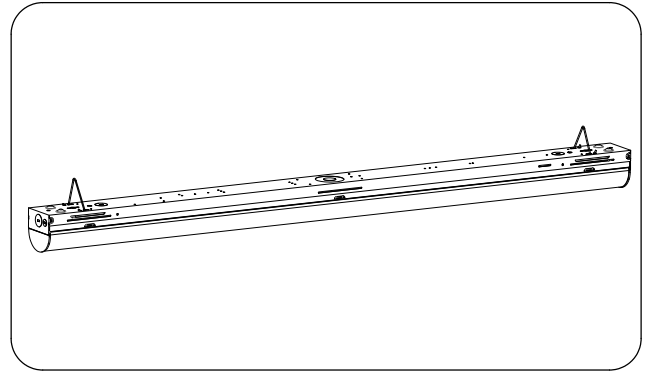
Chain Suspended Mounting

Notice: Always turn off the power supply from main circuit breaker first!

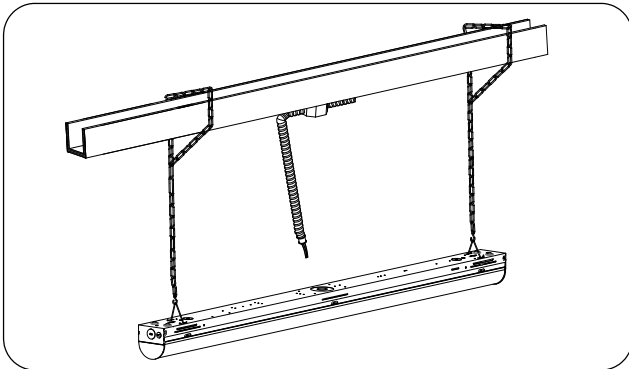
1. Take out the light fixture and accessories package from the box.



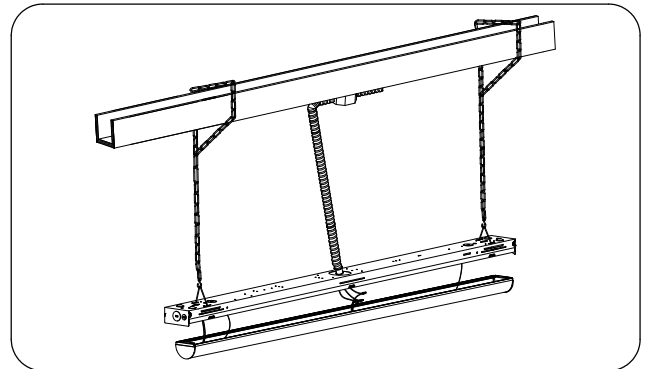
2. Connect the V-hook to back of the fixture body.



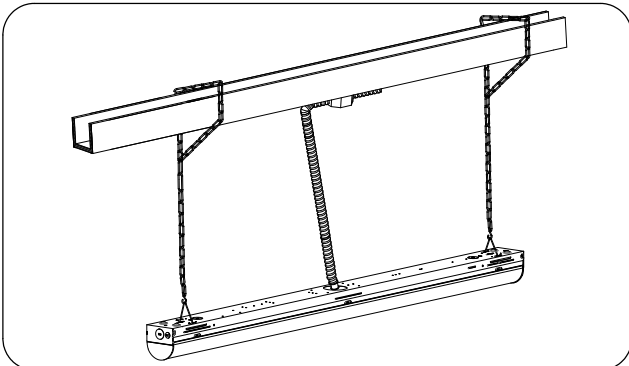
3. Attach chain to the V-hooks to hang the luminaire.



4. Fix the end of pipe to the outlet hole. Open the fixture body and connect the AC wires.



5. Reattach the luminous part to the housing to complete the installation.



Installation Instruction

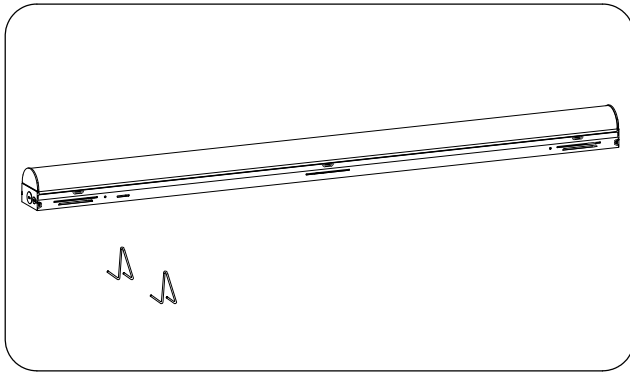
LED DeltaLum EC2 Strip

Applicable models:
DL-EC2

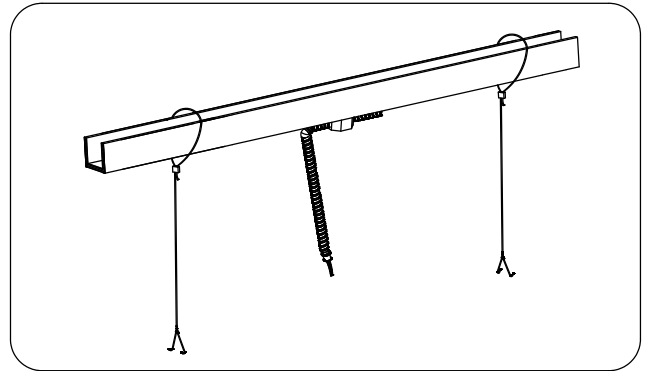
Cable Suspended Mounting

Notice: Always turn off the power supply from main circuit breaker first!

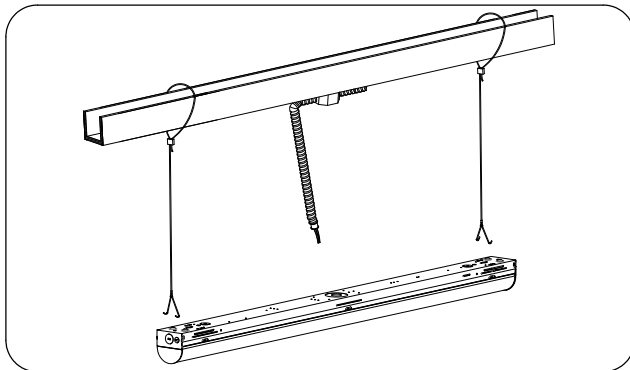
1. Take out the light fixture and accessories package from the box.



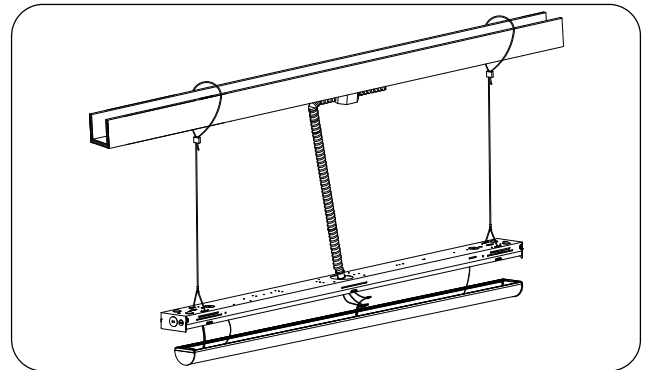
2. Attach V-hooks to the cable.



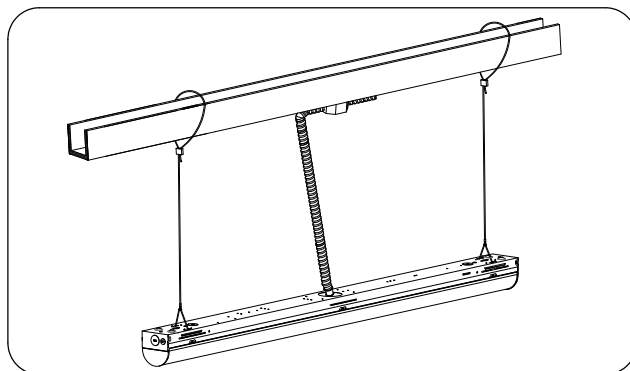
3. Attach the V-hooks to the fixture body to hang the luminaire.



4. Fix the end of pipe to the outlet hole. Open the fixture body and connect the AC wires.



5. Reattach the luminous part to the housing to complete the installation.



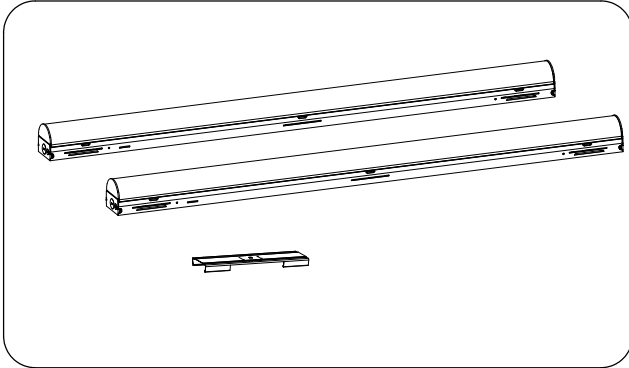
Installation Instruction

LED DeltaLum EC2 Strip

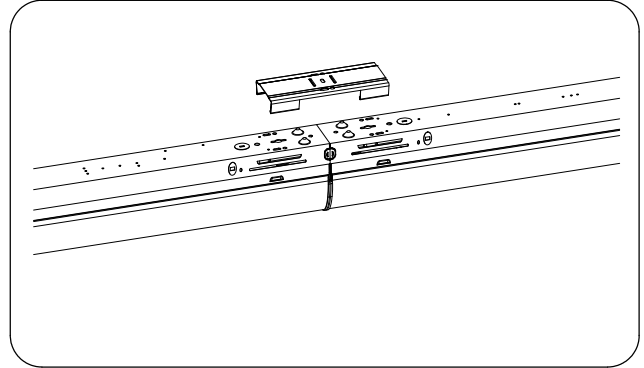
Applicable models:
DL-EC2

Row Mounting

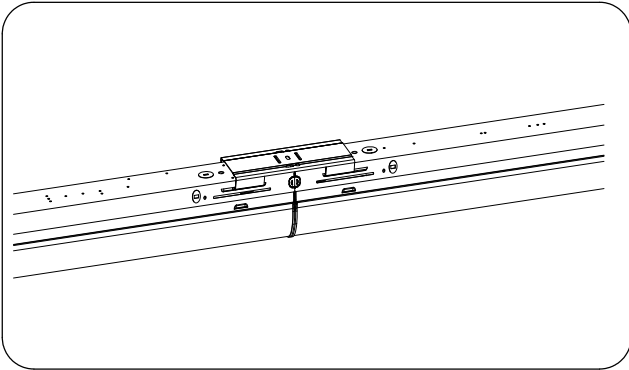
1. Take out the light fixture and accessories package from the box.



2. Install the connector to the end of the luminaires.



3. The installation is completed.



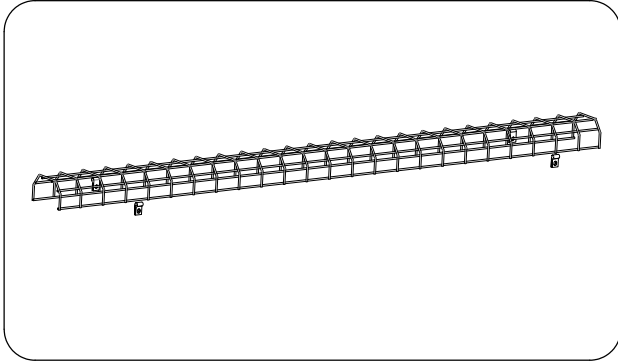
Installation Instruction

LED DeltaLum EC2 Strip

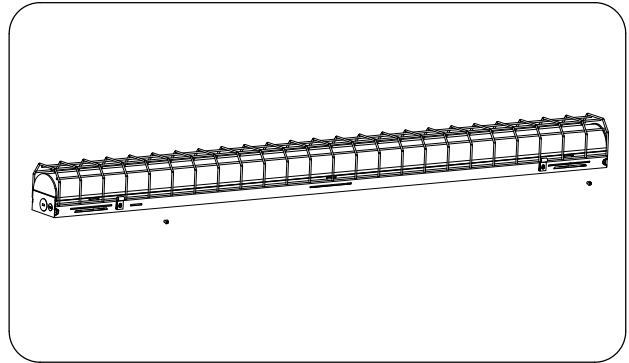
Applicable models:
DL-EC2

Wire Guards installation

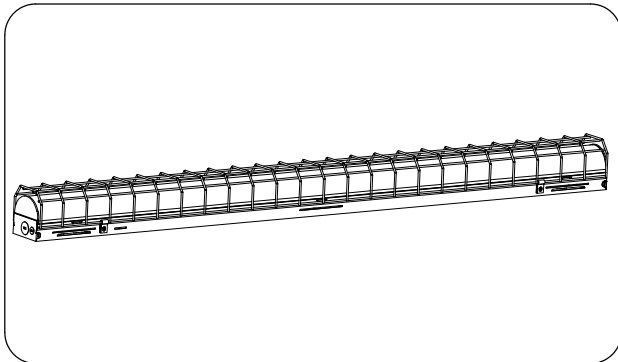
1. Insert the provided chips(4 pcs) onto the wire guard.



2. Fasten the chips by screws into the prepunched holes of fixture body.



3. The installation is completed.



Installation Instruction

LED DeltaLum EC2 Strip

Applicable models:
DL-EC2

Additional Accessories

- Standalone DC Sensor
- IFS08-ET

Step 1: Remove the plate before or after you install the fixture. (Figure 1 and Figure 2)

Step 2: Insert the existing 3-core wire plug into the terminal of the approved sensor. (Figure 3)

Step 3: Press the sensor directly into the hole and make sure it is securely fit. (Figure 4)

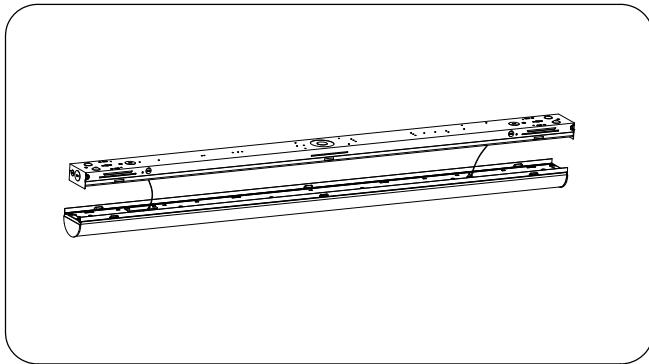


Figure 1

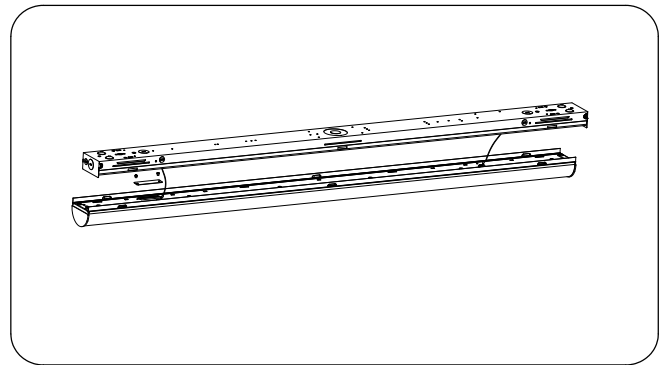


Figure 2

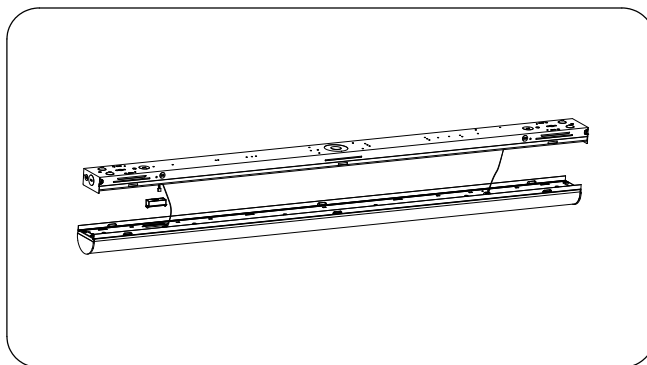


Figure 3

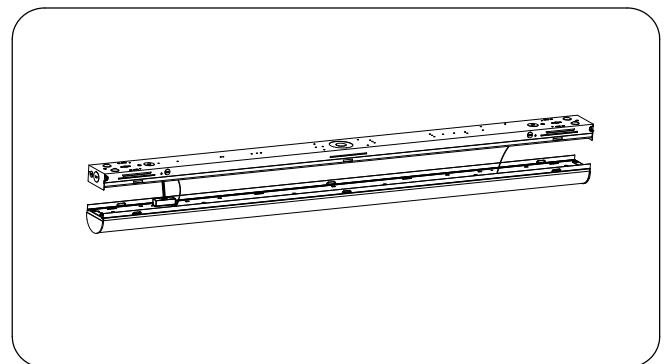


Figure 4

General Wiring Diagram

