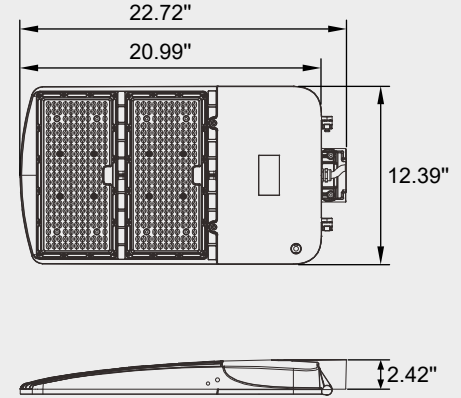




TECHNICAL DRAWING



DESCRIPTION

This 240-watt outdoor LED floodlight available in black color stands as an exemplary solution for potent outdoor illumination, tailored to meet diverse lighting needs in industrial and commercial environments. Engineered for versatility, it features an adjustable light output, allowing selection among 100W, 200W, or 240W settings. Ideal for lighting expansive areas such as parking garages, arenas, and stadiums, the floodlight produces a color temperature of 5000K for maximum brightness. With a remarkable lifespan of 50,000 hours, the floodlight assures long-lasting, reliable performance, establishing itself as a formidable choice for comprehensive outdoor lighting projects.

FEATURES

- Slim & Compact Area Lighter with Polycarbonate Lens.
- Pressure Die Cast Aluminum body to ensure better Thermal Management.
- Four different brackets for installation: Pole, Trunnion, "U" shape and Knuckle bracket
- Multi-Watt selector
- Compatible with 0-10V Dimming
- Suitable for use in wet locations
- 100-347V High efficiency LED driver with 6KV Surge Protection Device.
- 50 000 hours lifetime
- 5 Years warranty

SPECIFICATION

Model	Color	Color Temp. (K)	Wattage (W)	Lumen	Input Voltage (V)	Operating Temperature (°C)
LCFLD100-200-240W-MK-UV-BK	Black	5000	100-200-240	13000-26000-31200	100-347	-40 to 45

ACCESSORIES

This floodlight can be installed using four distinct brackets, each sold separately: the pole bracket, trunnion bracket, U-shape bracket, and knuckle bracket.



Pole
LCFLD-BRACKET-P



Trunnion
LCFLD-BRACKET-T



U-Shape
LCFLD-BRACKET-U



Knuckle
LCFLD-BRACKET-K

*Other accessories such as Photocell, Shorting cap, Surge protector, PIR sensor, Motion sensor, Waterproof cover plate for photocell hole are also available.

EXTENDED FUNCTION

(cover plate, Photocell, Shorting cap)



(Surge, lightning arrester)



(Respirator)



(Motion sensor, PIR sensor)

