



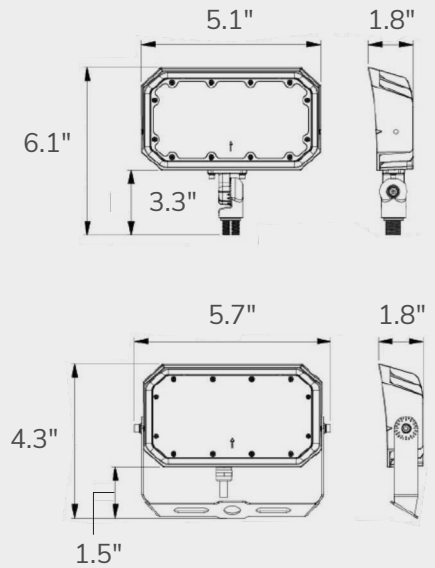
Knuckle Mount



Trunnion Mount



TECHNICAL DRAWING



TECHNICAL SPECIFICATIONS

FEATURES

- cULus listed, DLC Premium
- Available in 3000K and 4000K
- Optional installation of knuckle and trunnion mount
- 100-277VCA
- CRI ≥70
- Dark bronze coat finish
- Lifespan of 50,000 Hrs
- IP 66, wet location rated

PRODUCT NUMBERS

3000K

- Knuckle Mount : LCFLD120V-15W-30K-K
- Trunnion Mount : LCFLD120V-15W-30K-U

4000K

- Knuckle Mount : LCFLD120V-15W-40K-K
- Trunnion Mount : LCFLD120V-15W-40K-U

SPECIFICATIONS

- Wattage : 15W
- Lumens : 1800LM
- Beam angle : 90° x 120°