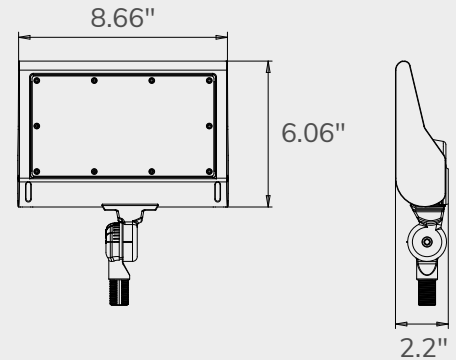




### TECHNICAL DRAWING



### TECHNICAL SPECIFICATIONS

#### FEATURES

- ETL listed
- Available in RGBW-CCT(3000K-5700K)
- High thermal conductivity aluminum alloy + Clear lens
- 100-277V
- CRI ≥80
- Brown color
- Lifespan of 30,000 Hrs
- IP 65, wet location rated

#### SPECIFICATIONS

- Wattage : 50W
- Lumens : 1500LM
- Beam angle : 90° x 120°

#### PRODUCT NUMBERS

RGBW-CCT

- Knuckle Mount : LCFLD50W-RGBWCCT-K