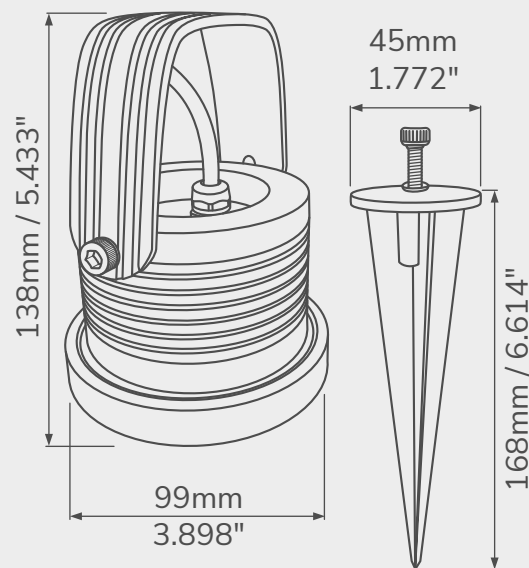




TECHNICAL DRAWING



TECHNICAL SPECIFICATIONS

- | | | | |
|-------------------------|-----------------|---------------------|----------------|
| • Voltage | : 12V - 24V DC | • Lifespan | : 30 000 Hours |
| • Light Intensity | : 900 Lumens | • Dimmable | : Yes |
| • Consumption | : 9 Watts | • Protection Rating | : IP65 |
| • Color temperatures | : 3000K, 4000K | • Color | : Black |
| • Projection angle | : 40° | • Aluminum spike | : Yes |
| • Operating temperature | : -25°C ~ +60°C | | |

