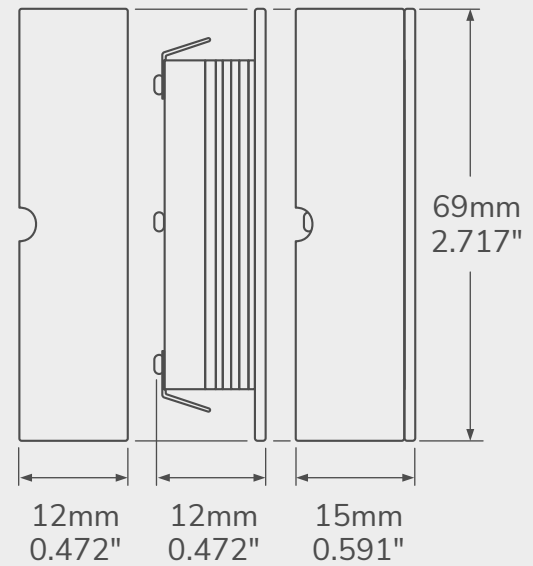


### TECHNICAL DRAWING



### TECHNICAL SPECIFICATIONS

- |                 |                         |                |                          |
|-----------------|-------------------------|----------------|--------------------------|
| • Input Voltage | : DC 12V (RGBW are 24V) | • Dimmable     | : Yes                    |
| • LED Power     | : 3 Watt                | • Working Temp | : 40°C at room temp 25°C |
| • Color Options | : 3000K - 4000K - RGBW  | • Warranty     | : 3 Years                |
| • Lumen Output  | : 250 LM                | • Lifespan     | : 25 000 hrs             |
| • Beam Angle    | : 120°                  |                |                          |
| • CRI           | : >80                   |                |                          |
| • IP class      | : IP 20                 |                |                          |
| • Color         | : Brushed Nickel        |                |                          |
| • Dimensions    | : 69 x 69 x 15mm        |                |                          |
| • Cutout Size   | : 60mm                  |                |                          |

### PRODUCT NUMBERS

- |       |                    |
|-------|--------------------|
| 3000K | : LCPK150R-30K     |
| 4000K | : LCPK150R-40K     |
| RGBW  | : LCPK150R-24VRGBW |

