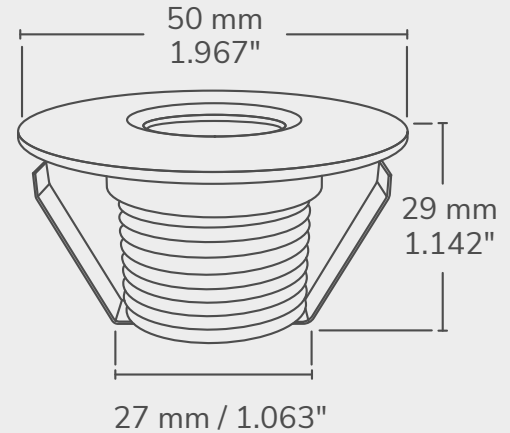


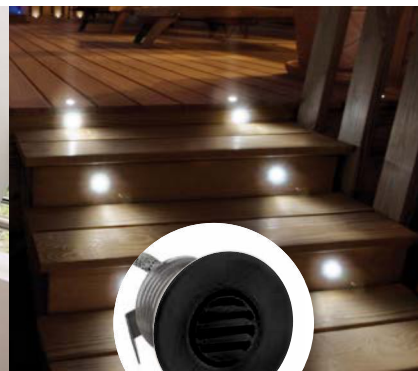
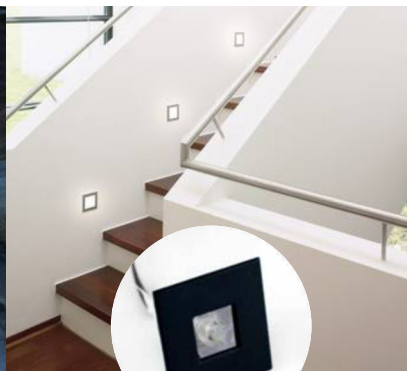
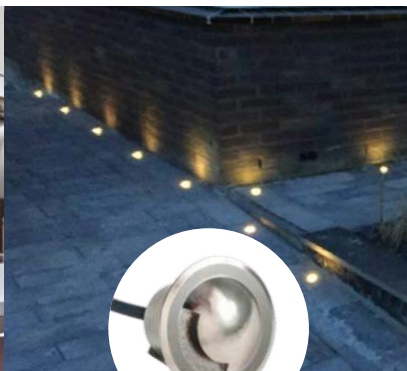


TECHNICAL DRAWING



TECHNICAL SPECIFICATIONS

- | | | | |
|---------------------------|-----------------|---------------------|-------------------------------------------------|
| • Voltage | : 12/24 V DC | • Cutout size | : 35mm / 1.378 inches |
| • Light Intensity | : 125 Lumens | • Lifespan | : 25 000 Hours |
| • Consumption | : 1 Watts | • Dimmable | : Yes |
| • Incandescent Equivalent | : 20 Watts | • Protection Rating | : IP67 |
| • Color temperatures | : 3000K - 4000K | • Trim Options | : 1 side, 2 sides, Round, Square & Round Louver |
| • Projection angle | : 25° | • Trim Colors | : White, Black & Brushed Stainless |
| • IRC | : >80 | | |
| • Power Factor | : +90 | | |



TRIM OPTIONS

MODELS

PRODUCT NUMBERS



1 Way Stainless Steel

LCPK2000R-1W-1S-30K

LCPK2000R-1W-1S-40K



2 Way Stainless Steel

LCPK2000R-1W-2S-30K

LCPK2000R-1W-2S-40K



Square Black

LCPK2000S-1W-BK-30K

LCPK2000S-1W-BK-40K



Square White

LCPK2000S-1W-WH-30K

LCPK2000S-1W-WH-40K



Square Brushed Stainless

LCPK2000S-1W-BS-30K

LCPK2000S-1W-BS-40K



Round Black

LCPK2000R-1W-BK-30K

LCPK2000R-1W-BK-40K



Round White

LCPK2000R-1W-WH-30K

LCPK2000R-1W-WH-40K



Round Brushed Stainless

LCPK2000R-1W-BS-30K

LCPK2000R-1W-BS-40K



Round Louver Black

LCPK2000P-1W-BK-30K

LCPK2000P-1W-BK-40K



Round Louver Stainless

LCPK2000P-1W-BS-30K

LCPK2000P-1W-BS-40K