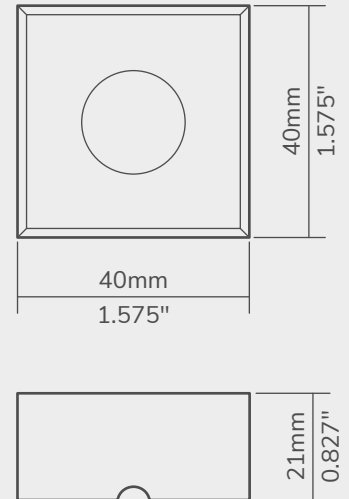




TECHNICAL DRAWING



TECHNICAL SPECIFICATIONS

- | | | | |
|-----------------|------------------|----------------|--------------------------|
| • Input Voltage | : DC 12V | • Dimmable | : Yes |
| • LED Power | : 1 Watt | • Working Temp | : 40°C at room temp 25°C |
| • Color Options | : 3000K | • Warranty | : 3 Years |
| • Lumen Output | : 90 LM | | |
| • Beam Angle | : 45° | | |
| • CRI | : >80 | | |
| • IP class | : IP 22 | | |
| • Dimensions | : 40 x 40 x 21mm | | |

PRODUCT NUMBER

LCPK400-12V-30K-BS