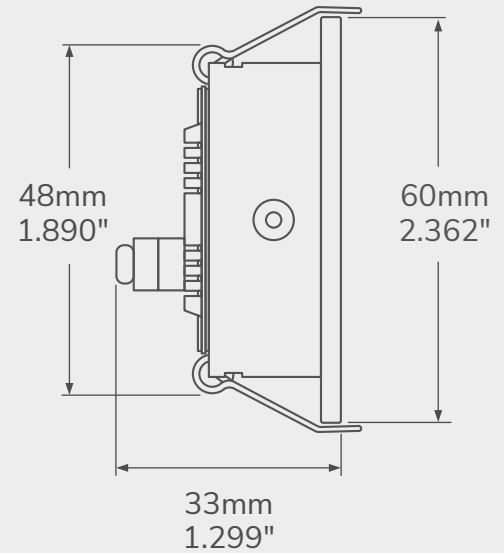




### TECHNICAL DRAWING



### TECHNICAL SPECIFICATIONS

- |                 |                 |                |                          |
|-----------------|-----------------|----------------|--------------------------|
| • Input Voltage | : DC 12V        | • Dimmable     | : Yes                    |
| • LED Power     | : 3 Watt        | • Working Temp | : 40°C at room temp 25°C |
| • Color Options | : 3000K - 4000K | • Warranty     | : 3 Years                |
| • Lumen Output  | : 250 LM        | • Lifespan     | : 25 000 hrs             |
| • Beam Angle    | : 45°           |                |                          |
| • CRI           | : >80           |                |                          |
| • IP class      | : IP 20         |                |                          |
| • Color         | : Stainless     |                |                          |
| • Cutout Size   | : 48mm          |                |                          |

### PRODUCT NUMBERS

- |       |               |
|-------|---------------|
| 3000K | : LCPK700-30K |
| 4000K | : LCPK700-40K |