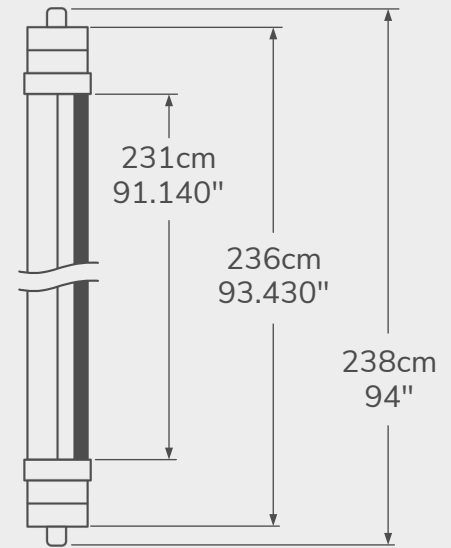




TECHNICAL DRAWING



TECHNICAL SPECIFICATIONS

- | | | | |
|---------------------|---------------------|----------------------|----------------|
| • Input voltage | : 120-277V, 50/60Hz | • Lifespan | : 50 000 hours |
| • Wattage | : 36 watts | • Warranty | : 5 years |
| • Lumens | : 4320lm | • Color Temperatures | : 5000K |
| • Luminous Efficacy | : 120lm/W | • Length | : 94 Inches |
| • Beam angle | : 180° | | |
| • Power factor | : >0.9 | | |
| • Operation temp. | : -20°C - 40°C | | |
| • Type | : Type B | | |
| • Body | : AL+PC | | |
| • End cap | : FA8/R17D | | |
| • Lens | : Frosted | | |
| • Dimmable | : No | | |

