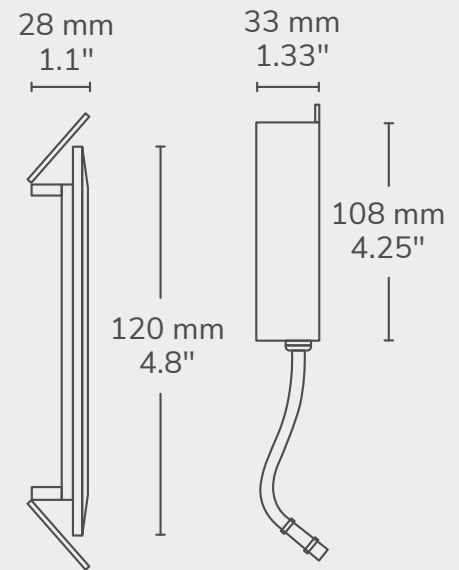




## TECHNICAL DRAWING



## TECHNICAL SPECIFICATIONS

- Lumens : 704lm
- Color Temperature : 2700K / 3000K / 3500K / 4000K / 5000K Tunable
- Beam Angle : 110°
- CRI : >80
- Input Voltage : 110 - 130VAC
- Power : 9W
- Power Factor : >0.94
- Trim color : White / Brushed Nickel / Black
- Dimming : Triac base dimmable
- IC Rated : Type IC Rated
- Location Approved : Damp Location
- Certification : cETLus Energy Star
- Lifespan : 50,000hrs
- Warranty : 3 years
- Panel Diameter : 4.8" - (120mm)
- Panel Height : 0.5" - (13mm)
- Cut out Size : 4" - 4.25" - (100 - 108mm)



TRIM OPTIONS

All flat slimco are white but two clip-on trim options are available :

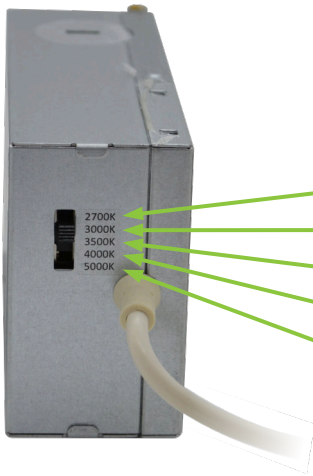
← ○ Brushed Aluminum

← ○ Black

PRODUCT NUMBERS

White : LCDL-DLF4-5CCT-WH  
Brushed Aluminum : LCDL-DLF4-5CCT-BS  
Black : LCDL-DLF4-5CCT-BK

COLOR TEMPERATURE SETTINGS



CCT is controlled by the toggle switch on junction box

○ Toggle it to the upper position, the Light is set at 2700K

○ Toggle it to the second position, the Light is set at 3000K

○ Toggle it to the middle position, the Light is set at 3500K

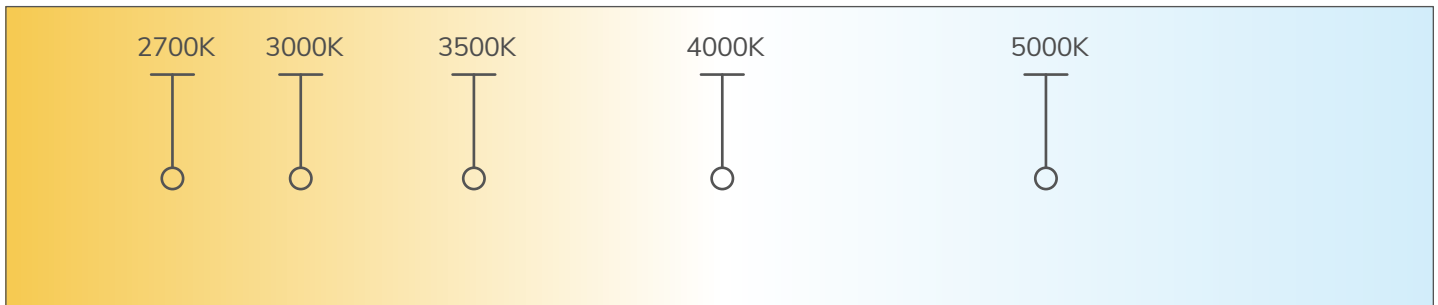
○ Toggle it to the fourth position, the Light is set at 4000K

○ Toggle it to the lower position, the Light is set at 5000K

5 COLORS TEMPERATURE SETTINGS

WARM

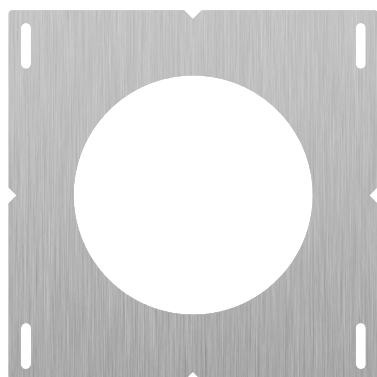
COLD



## COMPATIBLE DIMMERS

BRAND	MODEL	DIMMING FUNCTION
Lutron	S-603P	DIMMABLE
Leviton	6633-P	DIMMABLE
Leviton	1C33L1	DIMMABLE
Lutron	CTCL-153P	DIMMABLE
Lutron	TG600P	DIMMABLE
Lutron	DV600P	DIMMABLE
Lutron	LG600P	DIMMABLE
Lutron	SCL-153P	DIMMABLE
Lutron	MAW-600	DIMMABLE
Lutron	MS-VP600G	N/A
Lutron	LGCL-153P	DIMMABLE
Lutron	7SCL-153P	DIMMABLE
Lutron	600PH	DIMMABLE
Lutron	DV-600P	DIMMABLE
Lutron	6838	DIMMABLE
Lutron	CTELV-303P	DIMMABLE
Lutron	CTCL-153PD	DIMMABLE
Leviton	6674	DIMMABLE

## MOUNTING PLATES



4 inch plate (LCPLATE-4)