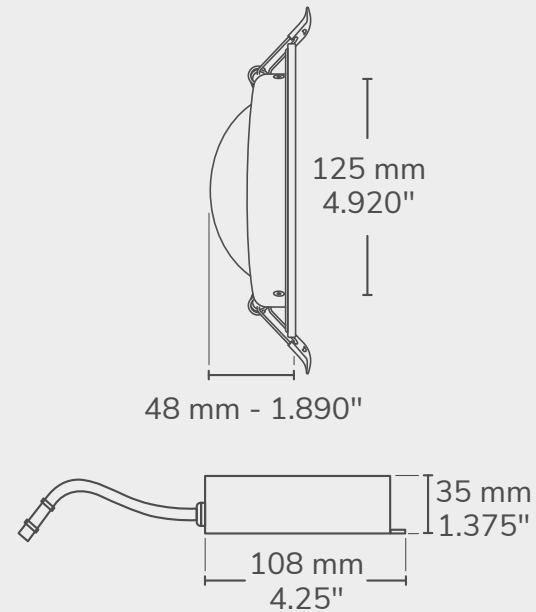




TECHNICAL DRAWING



TECHNICAL SPECIFICATIONS

- Color Temp. : 2700K / 3000K / 3500K / 4000K / 5000K Tunable
- Lumens : 680 / 700 / 750 / 760 / 740 LM
- Beam Angle : 40°
- CRI : >80
- Input Voltage : 110-130VAC
- Power : 9W
- Power Factor : >0.94
- Trim color : White / Black
- Dimming : Triac base dimmable
- Location Approved : Damp Location
- Certification : cETLus
- Lifespan : 50,000hrs
- Warranty : 3 years
- Cutout size : 4.25" - (108mm)
- Panel Diameter : 4.92" - (125mm)
- Panel Depth : 1.89" - (48mm)
- Junction Box Length: 4.25" - (108mm)
- Junction Box Width : 2.4" - (60mm)
- Junction Box Height : 1.375" - (35mm)

TRIM OPTIONS

Available trim options :



○ White

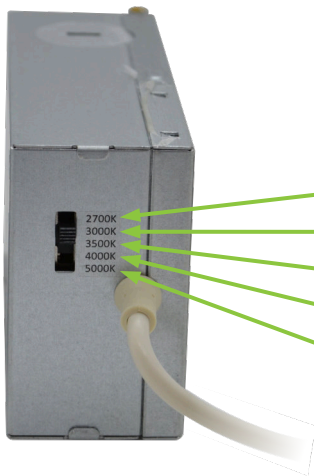
○ Black

PRODUCT NUMBERS

White : LCDL-DLS4-5CCT-9W-WH

Black : LCDL-DLS4-5CCT-9W-BK

COLOR TEMPERATURE SETTINGS



CCT is controlled by the toggle switch on junction box

○ Toggle it to the upper position, the Light is set at 2700K

○ Toggle it to the second position, the Light is set at 3000K

○ Toggle it to the middle position, the Light is set at 3500K

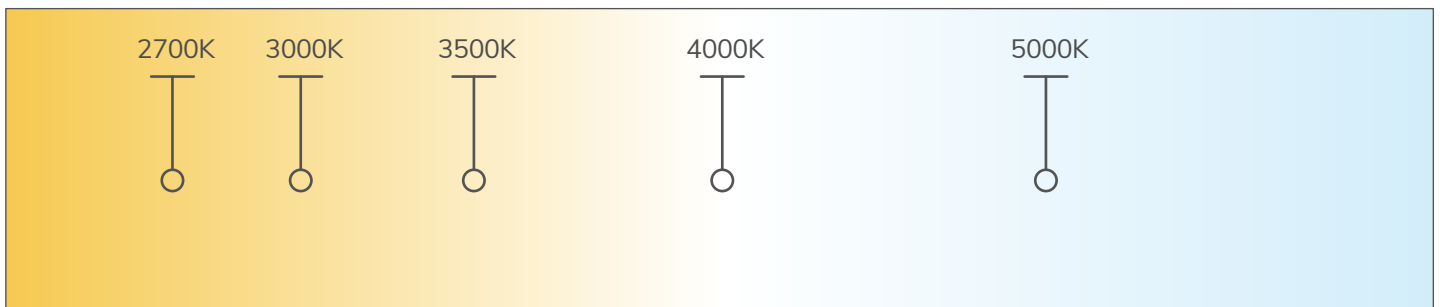
○ Toggle it to the fourth position, the Light is set at 4000K

○ Toggle it to the lower position, the Light is set at 5000K

5 COLORS TEMPERATURE SETTINGS

WARM

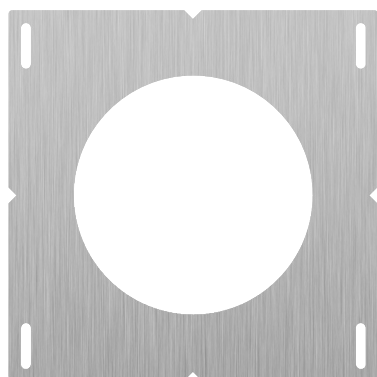
COLD



COMPATIBLE DIMMERS

BRAND	MODEL	DIMMING FUNCTION
Lutron	S-603P	DIMMABLE
Leviton	6633-P	DIMMABLE
Leviton	1C33L1	DIMMABLE
Lutron	CTCL-153P	DIMMABLE
Lutron	TG600P	DIMMABLE
Lutron	DV600P	DIMMABLE
Lutron	LG600P	DIMMABLE
Lutron	SCL-153P	DIMMABLE
Lutron	MAW-600	DIMMABLE
Lutron	MS-VP600G	N/A
Lutron	LGCL-153P	DIMMABLE
Lutron	7SCL-153P	DIMMABLE
Lutron	600PH	DIMMABLE
Lutron	DV-600P	DIMMABLE
Lutron	6838	DIMMABLE
Lutron	CTELV-303P	DIMMABLE
Lutron	CTCL-153PD	DIMMABLE
Leviton	6674	DIMMABLE

MOUNTING PLATES



4 inch plate (LCPLATE-414)