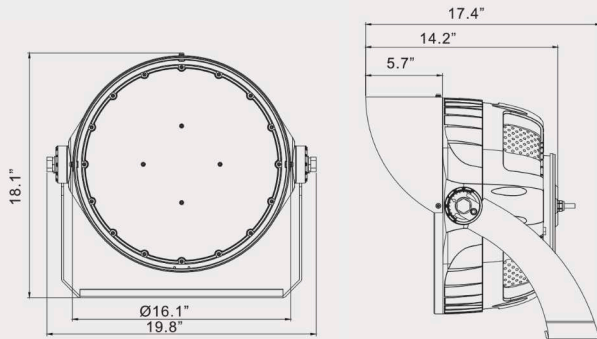


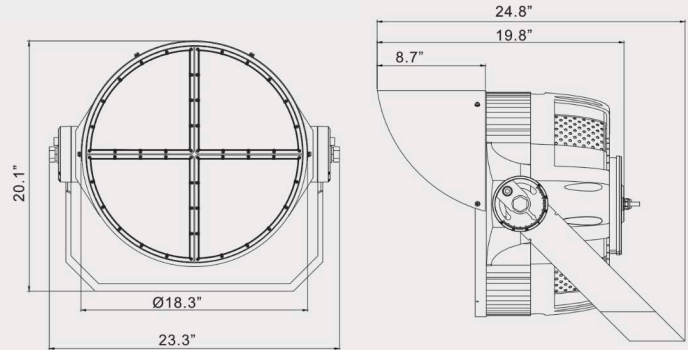


TECHNICAL DRAWINGS

*LCFLDSP-300-400-500-600W-50K-UV



*LCFLDSP-700-800-900-1000W-50K-UV



FEATURES AND BENEFITS

- Wattage : 300W-1000W
- Input Voltage : 120-347V
- Power Frequency : 50/60Hz
- Power Factor : >0.90
- Efficiency : 150lm/W

OPTICAL DATA

- LED Type : 5050 LED
- CCT : 5000K
- CRI : >70
- Beam Angle : 15°/25°/40°/60°/80°
- Dimming : 1-10V

Other info:

cULus listed, DLC Premium, L70 @ 100 000 Hrs / Black housing with Red accents, c/w Visor & "U" Bracket / 6KV surge protection, IP65 rated / 1M black cable, cast Aluminium design / Operating Temp. -40°C ~ +50°C

IN-DEPTH VIEW

A Laser Aiming Device
(Helps precisely control the lighting beam angle and identify the optimal installation spot for each fixture.)

B Visor
(Enhances lighting efficiency, improves volumetric lighting distribution, and reduces glare.)

C Optics
(Features advanced optics design with professional layout simulation technology, offering a variety of beam angle options: 15°, 40°, 60°, 80° for 1200W.)

D Pointer Board
(When the spotlight is adjusted to a specified angle, the pointer board displays the exact scale on the bracket with precise angle details.)

E Cooling System
(Featuring an individual heat sink design, this system significantly improves heat dissipation, ensuring a lifespan of over 60,000 hours (L70 from ISTMT).)

F Bracket
(Secures the entire fixture for installation, with an adjustable angle range of 0° to 180°.)

G Breathable "metal mesh"
(Featuring a unique design with four individual metal mesh pieces, this component greatly enhances airflow and heat dissipation.)

H Waterproof (IP65)
(Dustproof, waterproof, and breathable, it balances air pressure between the inside and outside of the fixture.)

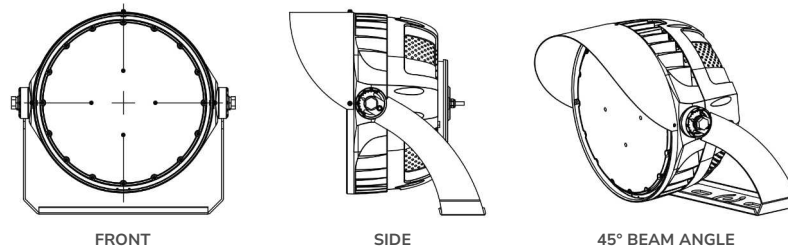
PRODUCT SPECIFICATION

Model	Wattage (W)	Input Voltage (V)	Hour Rating	Lumens	Color Temp. (K)	Optics / Distribution	CRI	Dimming	Dimension (inch)
LCFLDSP-300-400-500-600W-50K-UV	300-400-500-600	120-347	100000	45000-60000-75000-90000	5000	25° 40° 60°, Default 40°	>70	1-10V	19.8 x 18.1 x 17.4
LCFLDSP-700-800-900-1000W-50K-UV	700-800-900-1000	120-347	100000	105000-120000-135000-150000	5000	15° 40° 60° 80°, Default 40°	>70	1-10V	23.3 x 20.1 x 24.8

EFFECTIVE PROJECTED AREA

LCFLDSP-300-400-500-600W-50K-UV

FRONT : EPA=1.66ft²
 SIDE : EPA=1.54ft²
 45° BEAM ANGLE : EPA=2.02ft²



LCFLDSP-300-400-500-600W-50K-UV

FRONT : EPA=2.19ft²
 SIDE : EPA=2.38ft²
 45° BEAM ANGLE : EPA=2.74ft²

