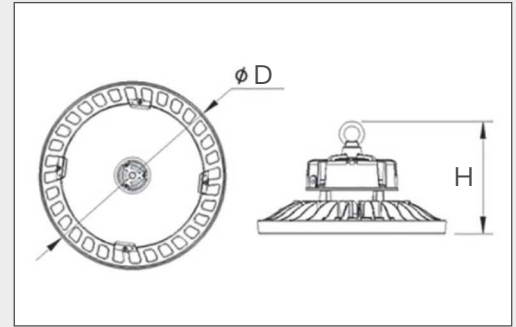




TECHNICAL DRAWING



DIA/D

15.4"

H

7.28"



DESCRIPTION

Explore our advanced LED highbay, specially designed for factories, warehouses, commercial spaces and areas with high ceilings. Its sleek, round design, available in a white finish, not only delivers optimal brightness but also enhances any industrial or commercial space with a touch of elegance. This LED highbay allows exceptional flexibility thanks to its adjustable color temperature options of 4000K or 5000K, as well as variable powers of 240W, 270W and 300W. With a light emission capacity ranging from 40,800 to 51,000 lumens depending on the wattage and an estimated lifespan of 50,000 hours.

FEATURES

- cULus listed, DLC Premium and NSF rated
- System light efficacy 170 LPW.
- Field Selectable CCT (4000K & 5000K) & Wattage (240W / 270W / 300W) along with 120-347V Auto Sensing Driver.
- 90° beam spread, PC Lens.
- White finish, with 3M cable.
- Sensor socket supplied and capable.
- CRI \geq 80 , L70 @ 50,000 hrs.
- IP65, wet location rated

PRODUCT SPECIFICATION

Model	Wattage (W)	Efficiency (Lm/W)	Lumen	Input Voltage (V)	Hour Rating	CCT (K)	CRI	Standard
LCHBU-240-270-300W-MKWV-T	240-270-300	170	40800-45900-51000	120-347	50 000	4000-5000 selector	\geq 80	UL/FCC/DLC 5.1 Premium