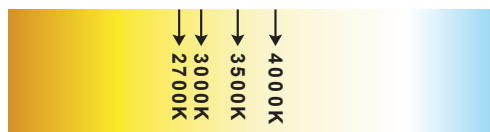


TECHNICAL SPECIFICATIONS

- LED density : 120LEDs/m
 - Power Consumption: : 19.2W/M
 - CRI : 90+
 - Beam angle : 120°
 - Voltage : 24V DC
 - Segment Width : 12mm
 - Board Type/Colot : 2oz Density, White PCB
 - Reel length : 5m
 - Cuttible segments : 50mm
 - Mounting Non-Porous : 3M double sided Tape
 - UL : Yes
 - Lifespan : 50 000+ hours
 - Protection code rating : IP22
 - Operating Temperature : -25°C to 60°C
 - Dimmer : DMX, PWM, RF PWM, 0-10V, MLV Incandescent
- Available color temperature (Kelvin)
- RGBW-27K/30K/35K/40K
- Replace XX by color temperature value, ex: 27K
Product code: LCLS24V-96W-RGBW-XX-*IP22

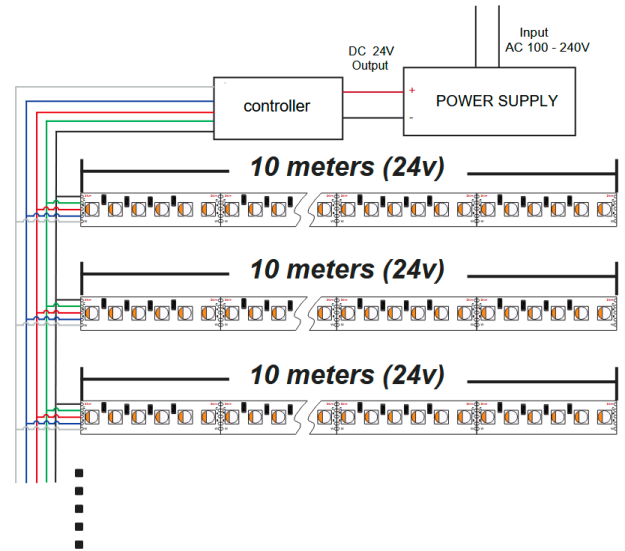


*All our LED strips are also available in waterproof (IP66) versions.

CONNECTION GUIDE

Parallel Connection Guide

Parallel connections are strongly recommended for LED Strip installation. It is important to not go over the recommended length. The LED Strip will start to dim after the recommended length and will damage the Strip over time.



Middle Connection Guide

Middle connections are parallel connections that are used to create a longer singular line of LED Strip to prevent dimming a wire can be connected to the middle of the Strip.

