




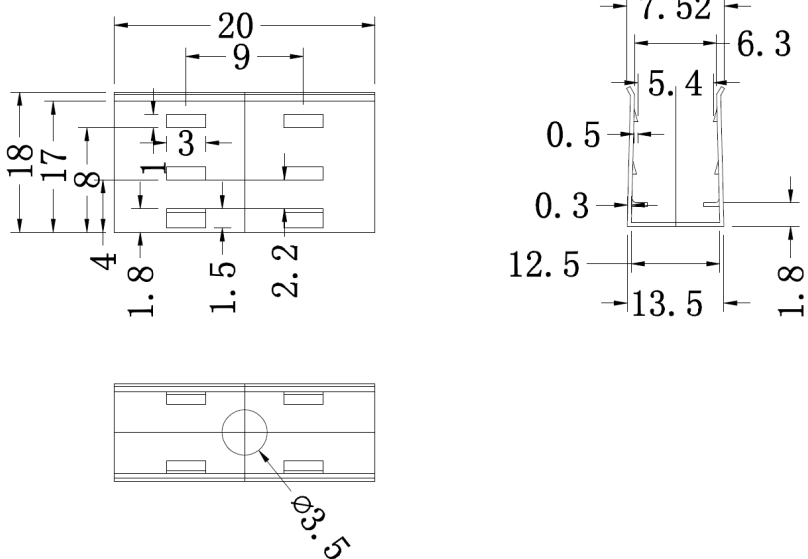


## TECHNICAL SPECIFICATIONS

- |                           |                 |   |                        |
|---------------------------|-----------------|---|------------------------|
| • Number of LED per meter | : 140pcs        | • Eye security  | : IEC 62471            |
| • Power W/m±10%           | : 14.4W/M       | • Protection class  | : EN 62031 IEC 60598-1 |
| • Voltage                 | : 24V DC        | • EMC /   | : EN 55015             |
| • PCB Width               | : 8mm           | radio disturbance   | characteristics        |
| • CRI                     | : 90            |   |                        |
| • Max length              | : 5m            |   |                        |
| • Cut Size                | : 50mm          | *Available color temperature (Kelvin)   |                        |
| • Dimmable                | : Yes           | •  2700K (LCLS24VFLX-SV-14W-27K) |                        |
| • ROHS                    | : Yes           | •  3000K (LCLS24VFLX-SV-14W-30K) |                        |
| • CE                      | : Yes           | •  4000K (LCLS24VFLX-SV-14W-40K) |                        |
| • Lifespan                | : 50 000+ hours | •  RGB (Not yet available)       |                        |
| • Protection code rating  | : IP66          |   |                        |



**ACCESSORIES**

		
<p><b>LCBRACK-FLEX-SV</b></p> <p>Accessory Kit for 6.5*11mm Side View Neon.</p> <p>Comes in a pack of 2.</p>		