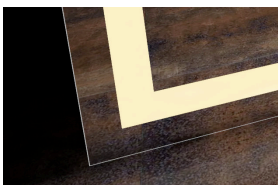


## DESCRIPTION

- TYPE: Front-Lit Mirror
- SHAPE: Rectangle
- Dimmable with any standard MLV / TRIAC dimmer wall switch
- CRI 90+
- IP Rating: 44
- 120V wiring
- Approx. 120,000 Hours Lifetime
- Complete UL and cUL Certification
- Hangs horizontally or vertically

## AVAILABLE LED COLORS (Kelvin)

3000K



6000K



## MODELS AND SPECIFICATIONS

MODELS	PRODUCT NUMBERS	DIMENSIONS	LUMENS	WATTS	WEIGHT
Galaxy Rectangle 24 X 36	LCMIR-GALA-2436-30/60K	24"W x 36"H x 1.7"D	4960/4970lm	45W	27lbs
Galaxy Rectangle 48 X 28	LCMIR-GALA-4828-30/60K	48"W x 28"H x 1.7"D	6410/6430lm	58W	41lbs
Galaxy Rectangle 36 X 36	LCMIR-GALA-3636-30/60K	36"W x 36"H x 1.7"D	5930/5940lm	54W	37lbs
Galaxy Rectangle 40 X 36	LCMIR-GALA-4036-30/60K	40"W x 36"H x 1.7"D	6410/6430lm	58W	42lbs
Galaxy Rectangle 48 X 36	LCMIR-GALA-4836-30/60K	48"W x 36"H x 1.7"D	7620/7830lm	65W	49lbs
Galaxy Rectangle 55 X 36	LCMIR-GALA-5536-30/60K	55"W x 36"H x 1.7"D	8280/8510lm	70W	57lbs
Galaxy Rectangle 65 X 28	LCMIR-GALA-6528-30/60K	65"W x 28"H x 1.7"D	8280/8510lm	70W	54lbs
Galaxy Rectangle 42 X 42	LCMIR-GALA-4242-30/60K	42"W x 42"H x 1.7"D	7620/7830lm	65W	46lbs
Galaxy Rectangle 60 X 40	LCMIR-GALA-6040-30/60K	60"W x 40"H x 1.7"D	8930/9180lm	76W	69lbs
Galaxy Rectangle 70 X 32	LCMIR-GALA-7032-30/60K	70"W x 32"H x 1.7"D	8930/9180lm	76W	66lbs
Galaxy Rectangle 60 X 45	LCMIR-GALA-6045-30/60K	60"W x 45"H x 1.7"D	8960/9920lm	81W	75lbs
Galaxy Rectangle 85 X 40	LCMIR-GALA-8540-30/60K	85"W x 40"H x 1.7"D	10890/10910lm	98W	93lbs
Galaxy Rectangle 100 X 45	LCMIR-GALA-10045-30/60K	100"W x 45"H x 1.7"D	12830/12860lm	116W	121lbs



### COLOR RENDERING INDEX

The color rendering index (CRI) of a light source is a quantitative measure of its ability to reproduce the colors of various objects faithfully in comparison with an ideal or natural light source.

In general terms, CRI is a measure of a light source's ability to show object colors "realistically" or "naturally".

We only use LED CRI 90+.

### COLOR TEMPERATURE

We offer 2 different light colors for our mirrors.

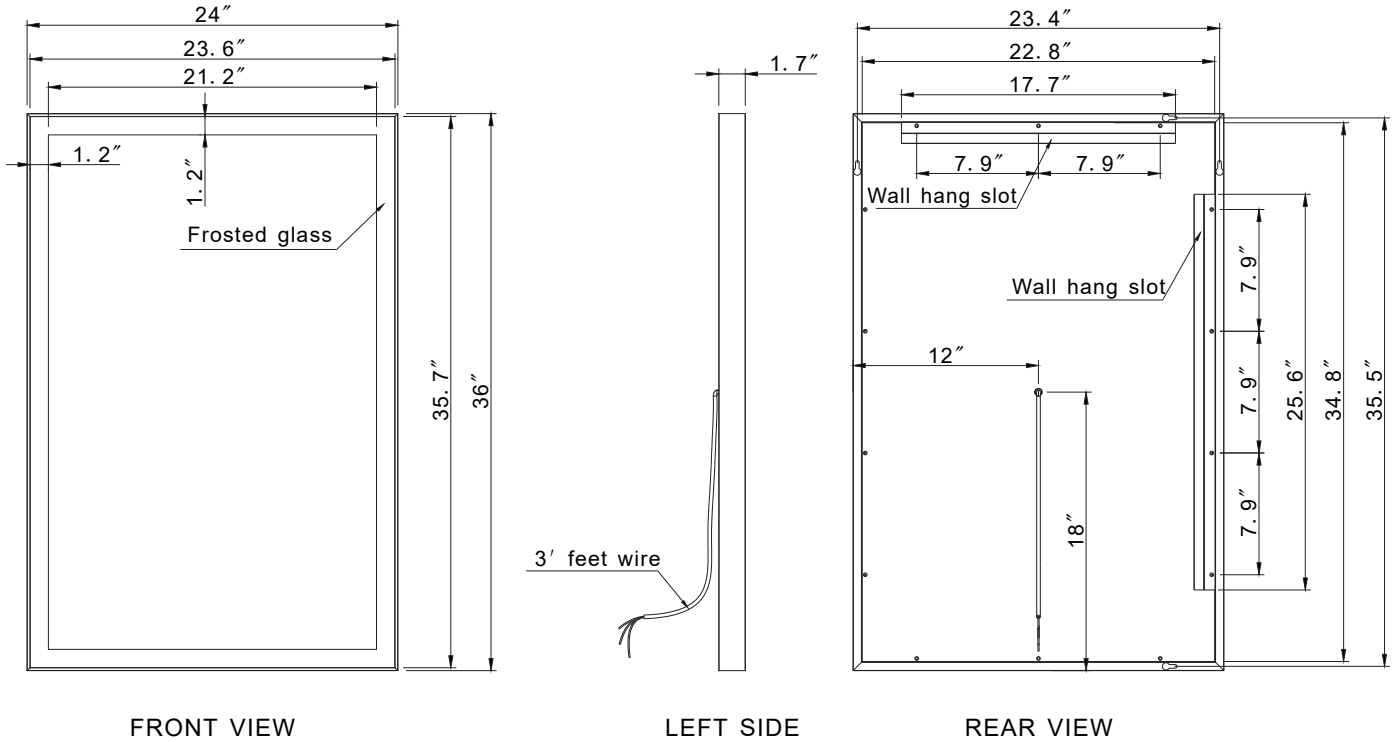
6000K: Pure white color light. It is the most popular color for makeup application and hairstyling.

In addition, the 6000K is 15% brighter than the 3000K light color. 85% of our customers choose the 6000K light color.

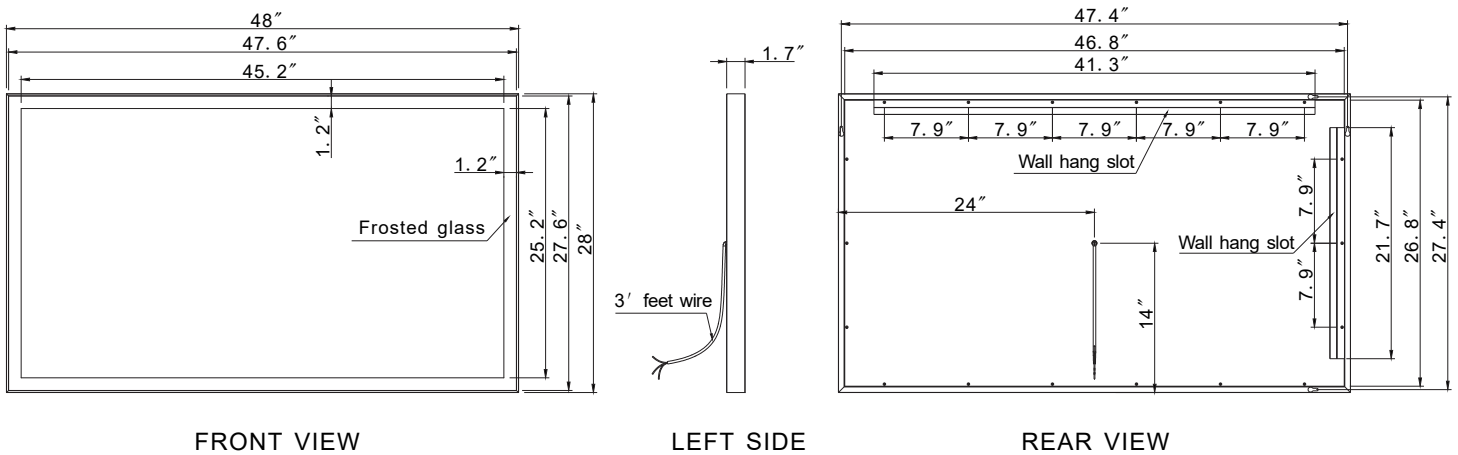
3000K: Warm white color light, the light is a little yellow.



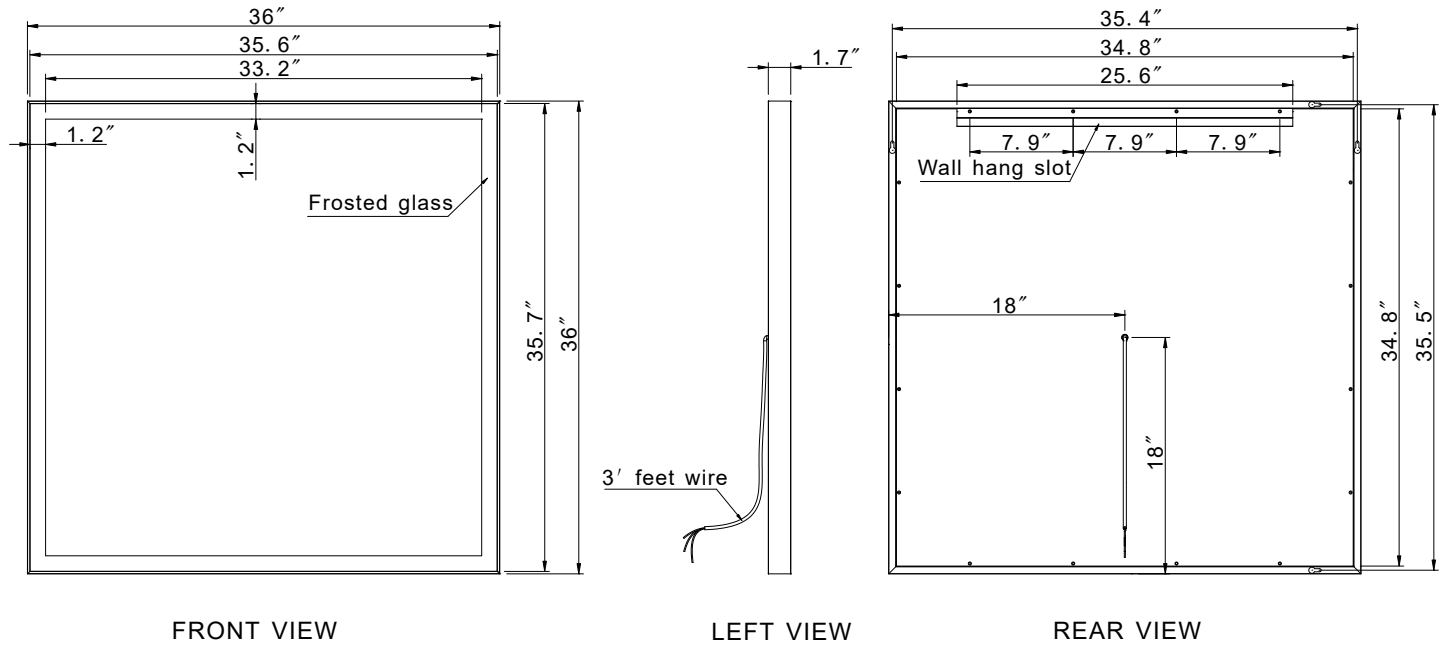
GALAXY RECTANGLE 24 X 36



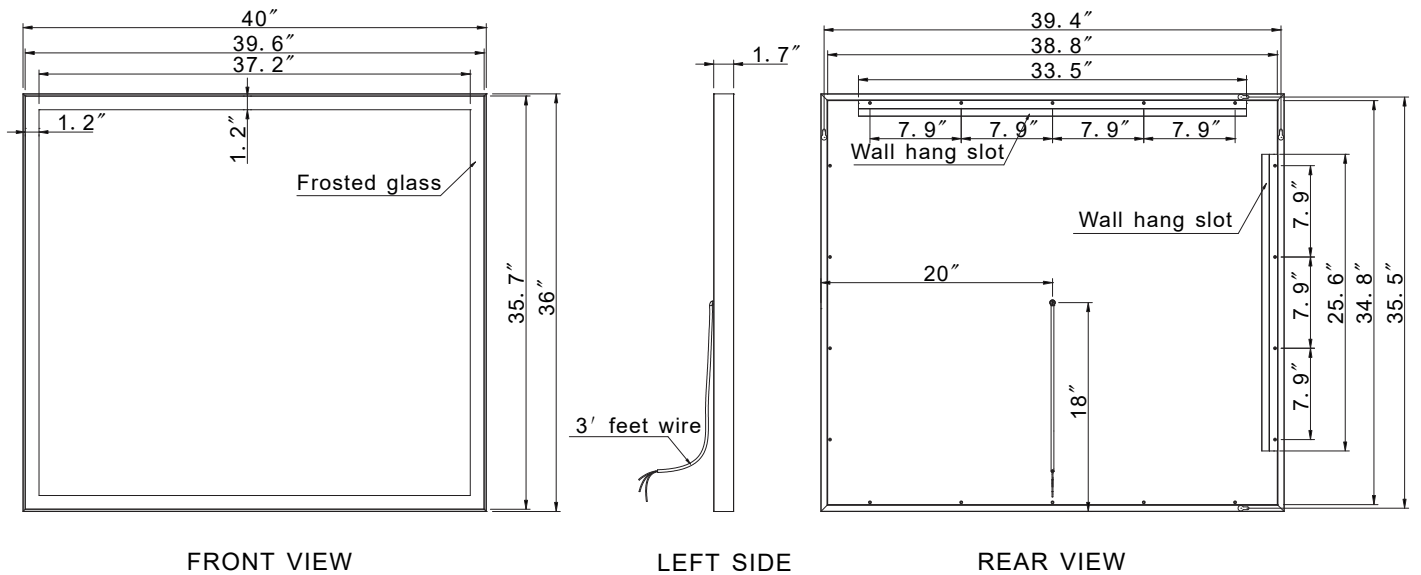
GALAXY RECTANGLE 48 X 28



GALAXY RECTANGLE 36 X 36

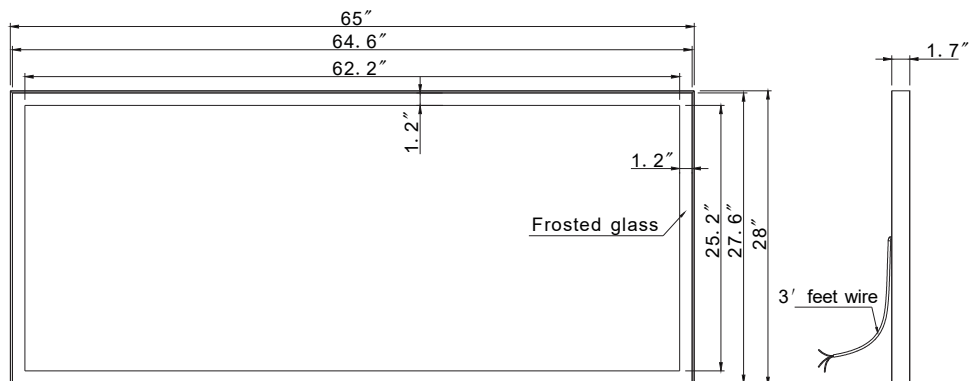


GALAXY RECTANGLE 40 X 36



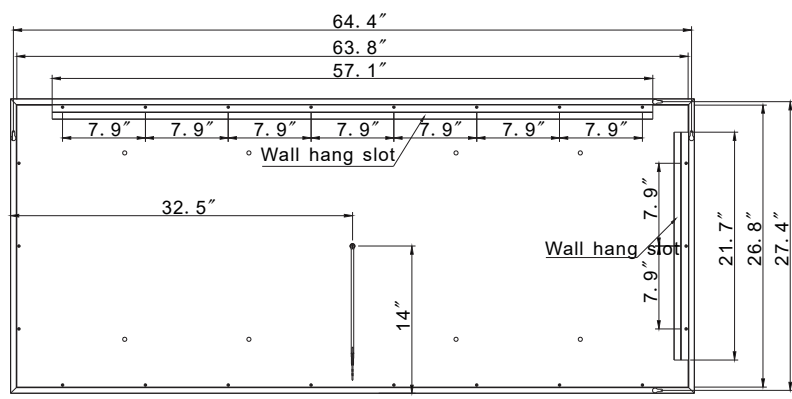


GALAXY RECTANGLE 65 X 28



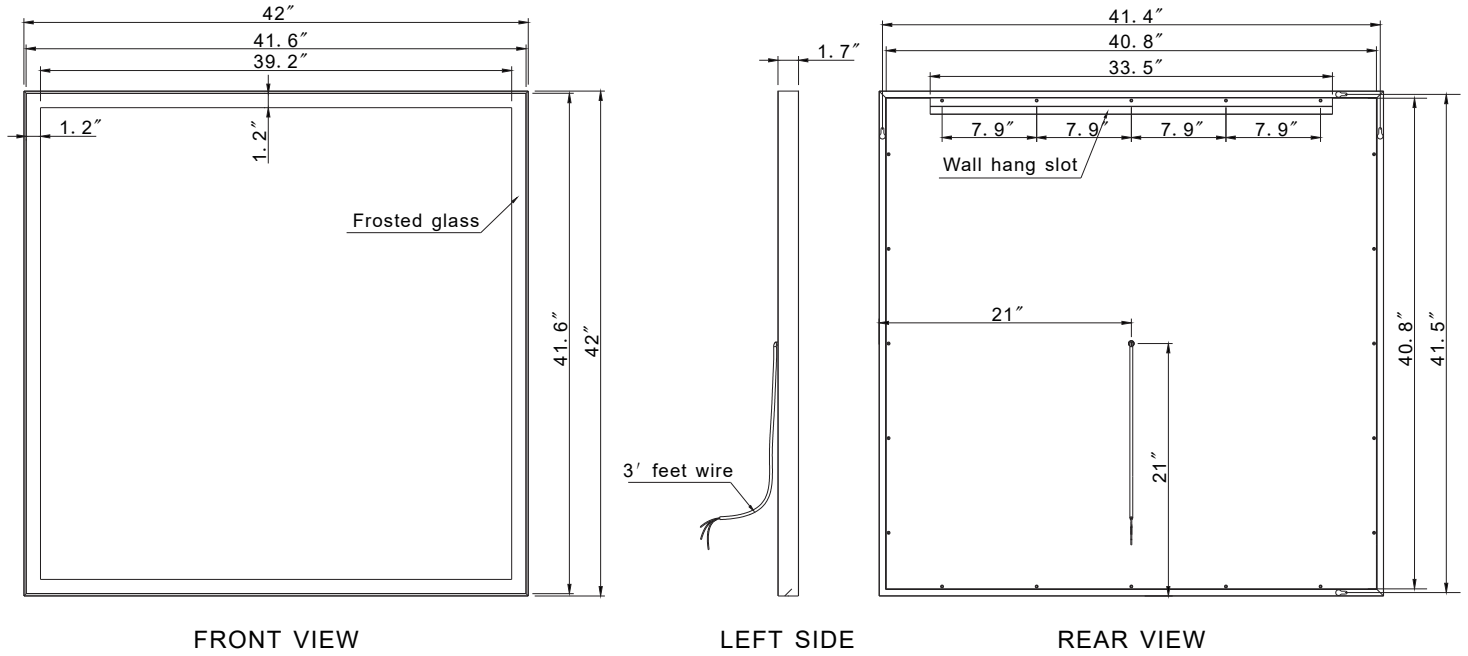
FRONT VIEW

LEFT SIDE

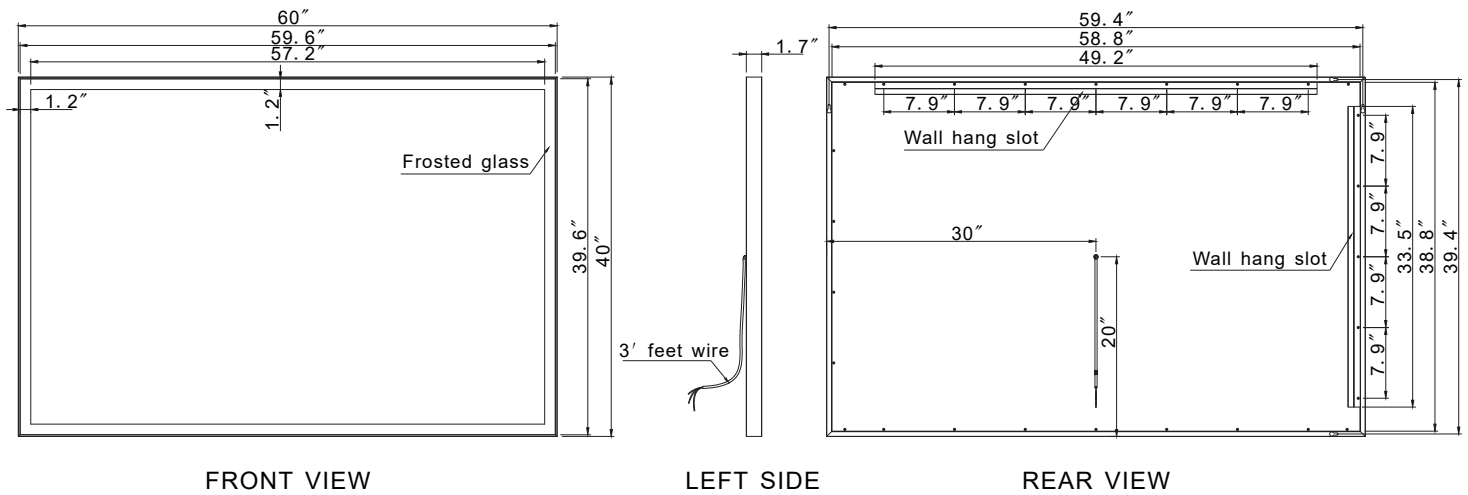


REAR VIEW

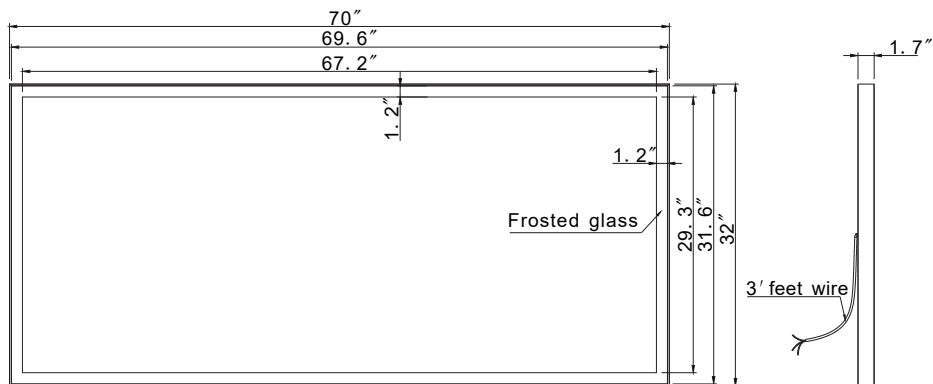
GALAXY RECTANGLE 42 X 42



GALAXY RECTANGLE 60 X 40

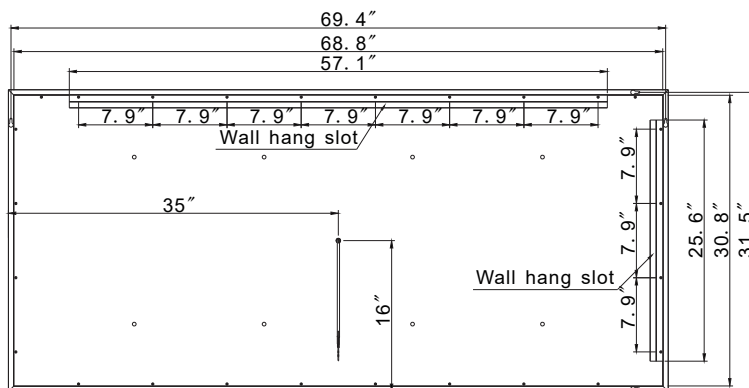


GALAXY RECTANGLE 70 X 32



FRONT VIEW

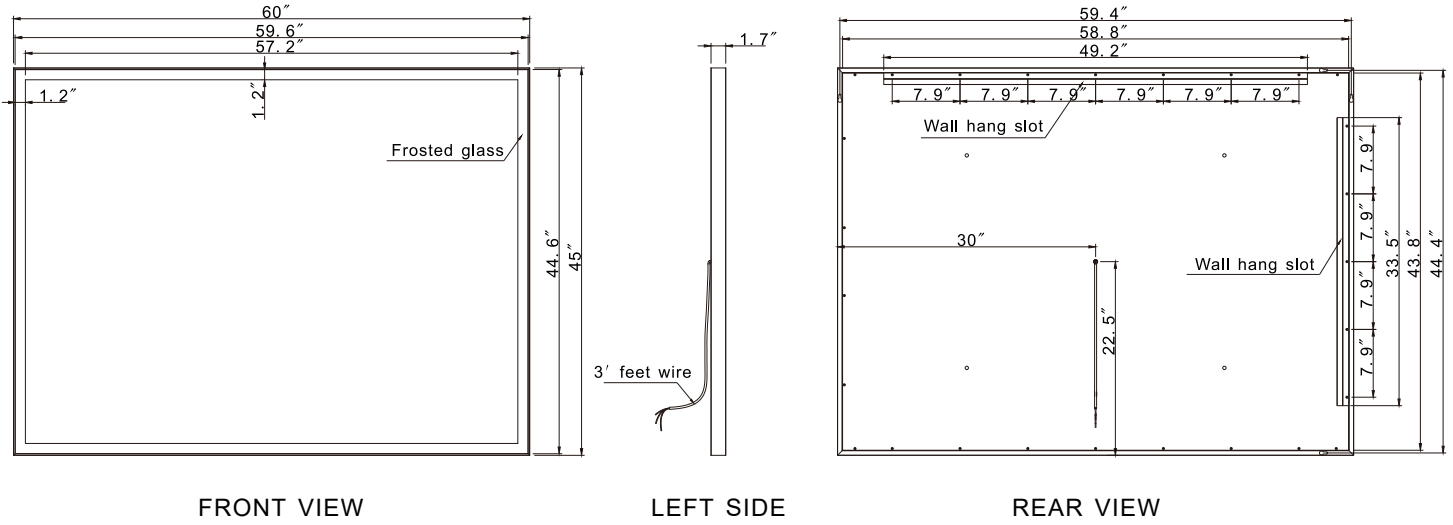
LEFT SIDE



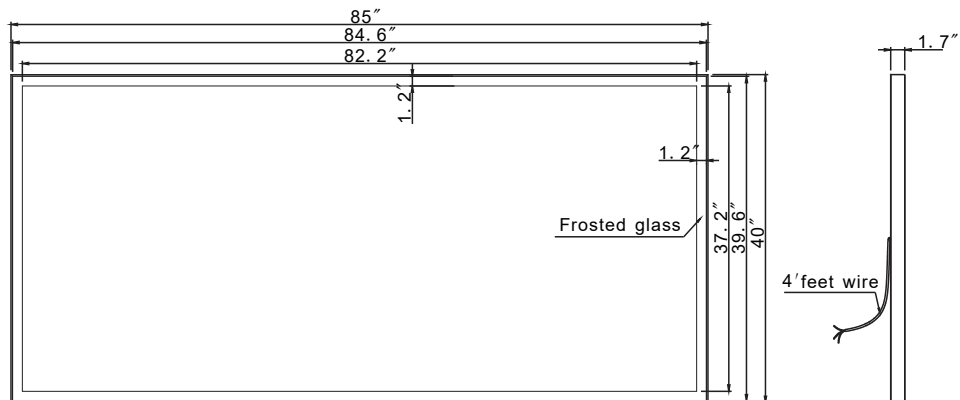
REAR VIEW



GALAXY RECTANGLE 60 X 45

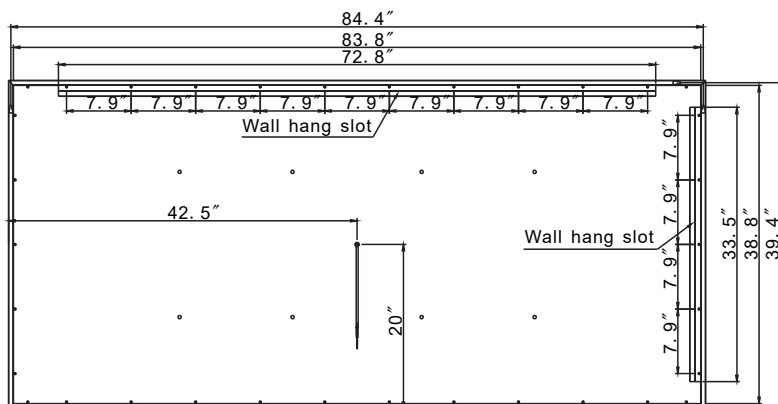


GALAXY RECTANGLE 85 X 40



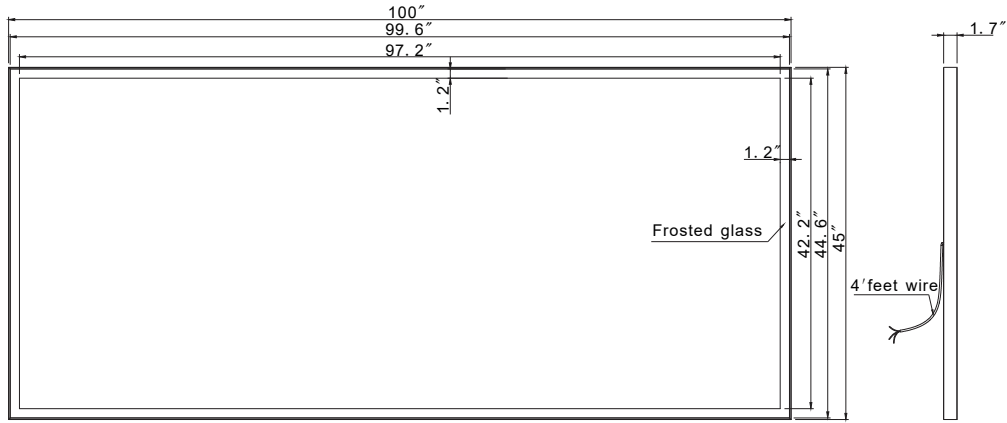
FRONT VIEW

LEFT SIDE



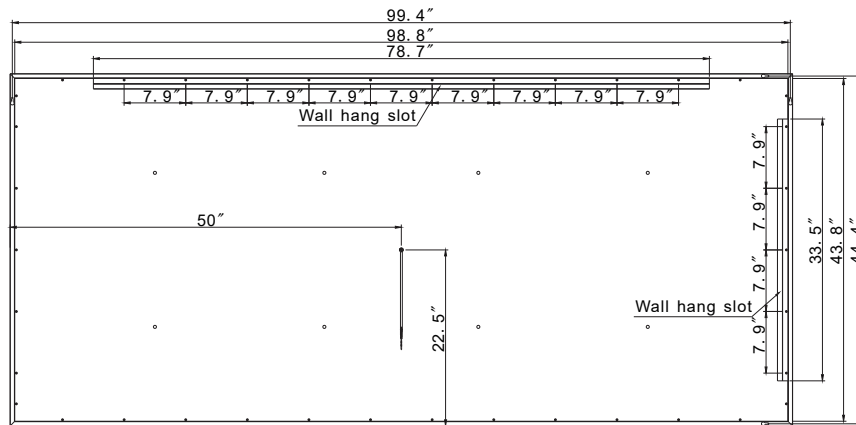
REAR VIEW

GALAXY RECTANGLE 100 X 45



FRONT VIEW

LEFT SIDE



REAR VIEW

## INSTALLATION & AFTER CARE INSTRUCTIONS

### Installation:

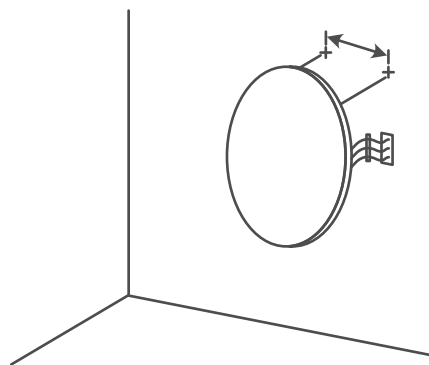
- All our LED mirrors have been independently tested for compliance with electrical equipment (safety) regulations.
- All illuminated and backlit mirrors are IP44 rated.
- Illuminated mirrors have been designed and independently tested for compliance to electrical equipment (safety) regulations, and are UL Certified.
- LEDs have a life expectancy of 120,000 hours of continuous use. All LED light fittings are replaceable and are available through our customer service.
- IMPORTANT: Always switch off the electrical supply at the mains during installation and maintenance.
- It is recommended that fuse is withdrawn or circuit breaker switched off before installation begins.
- Fitting in Bathrooms is subject to all regulations. It is not suitable for product installations in Saunas, Steam Rooms, or shower cubicles and it is recommended for permanent installation.

### Care Safety:

- Wear suitable eye wear protection when drilling. Use caution when using power tools near water, beware of hidden cables or pipes.
- Take care if drilling on tiled surfaces in case the drill slips. A piece of masking tape applied to wall before marking out fixing holes will stop drill from moving.

### Cleaning & Maintenance:

- It is recommended that the unit is cleaned with a soft, dry, non-abrasive cloth when turned off.
- Never use cleaning agents or abrasive material on any type of surface finish.
- Do not strike glass components with hard or pointed items.
- Do not place very hot or cold items against or close proximity to glass surfaces.



### 120V DIMMABLE LED DRIVER INCLUDED

- 1-Decide on wall positional placement.
- 2-Prepare & install wall hooks measured to distance between mirror's
- 3-Match & attach 3 electrical wires from mirror to home electrical wires: Live to Live, Ground to Ground, Neutral to Neutral.
- 4-Hang and affix to wall.