

DESCRIPTION

- TYPE: Front-Lit Mirror
- SHAPE: Rectangle
- Dimmable with any standard MLV / TRIAC dimmer wall switch
- CRI 90+
- IP Rating: 44
- 120V wiring
- Approx. 120,000 Hours Lifetime
- Complete UL and cUL Certification
- Hangs horizontally or vertically

AVAILABLE LED COLORS (Kelvin)

3000K

6000K



MODELS AND SPECIFICATIONS

MODELS	PRODUCT NUMBERS	DIMENSIONS	LUMENS	WATTS	WEIGHT
Harmony Rectangle 20 X 26	LCMIR-HAR-2026-30/60K	20"W x 26"H x 1.6"D	3450/3550lm	29W	18lbs
Harmony Rectangle 24 X 32	LCMIR-HAR-2432-30/60K	24"W x 32"H x 1.6"D	4140/4250lm	35W	35lbs
Harmony Rectangle 32 X 32	LCMIR-HAR-3232-30/60K	32"W x 32"H x 1.6"D	4960/4970lm	45W	30lbs
Harmony Rectangle 40 X 24	LCMIR-HAR-4024-30/60K	40"W x 24"H x 1.6"D	4960/4970lm	45W	29lbs
Harmony Rectangle 48 X 24	LCMIR-HAR-4824-30/60K	48"W x 24"H x 1.6"D	5440/5450lm	49W	34lbs
Harmony Rectangle 40 X 35	LCMIR-HAR-4035-30/60K	40"W x 35"H x 1.6"D	5930/5940lm	54W	41lbs
Harmony Rectangle 48 X 28	LCMIR-HAR-4828-30/60K	48"W x 28"H x 1.6"D	5930/5940lm	54W	39lbs
Harmony Rectangle 36 X 36	LCMIR-HAR-3636-30/60K	36"W x 36"H x 1.6"D	5930/5940lm	54W	40lbs
Harmony Rectangle 40 X 40	LCMIR-HAR-4040-30/60K	40"W x 40"H x 1.6"D	6410/6430lm	58W	44lbs
Harmony Rectangle 48 X 35	LCMIR-HAR-4835-30/60K	48"W x 35"H x 1.6"D	6910/7110lm	59W	48lbs
Harmony Rectangle 60 X 28	LCMIR-HAR-6028-30/60K	60"W x 28"H x 1.6"D	7620/7830lm	65W	50lbs
Harmony Rectangle 55 X 36	LCMIR-HAR-5536-30/60K	55"W x 36"H x 1.6"D	7620/7830lm	65W	56lbs
Harmony Rectangle 70 X 32	LCMIR-HAR-7032-30/60K	70"W x 32"H x 1.6"D	8930/9180lm	76W	64lbs
Harmony Rectangle 60 X 45	LCMIR-HAR-6045-30/60K	60"W x 45"H x 1.6"D	8930/9180lm	76W	74lbs
Harmony Rectangle 70 X 45	LCMIR-HAR-7045-30/60K	70"W x 45"H x 1.6"D	9920/9940lm	90W	85lbs
Harmony Rectangle 85 X 40	LCMIR-HAR-8540-30/60K	85"W x 40"H x 1.6"D	10890/10910lm	98W	93lbs
Harmony Rectangle 100 X 45	LCMIR-HAR-10045-30/60K	100"W x 45"H x 2.0"D	12830/12860lm	116W	121lbs



COLOR RENDERING INDEX

The color rendering index (CRI) of a light source is a quantitative measure of its ability to reproduce the colors of various objects faithfully in comparison with an ideal or natural light source.

In general terms, CRI is a measure of a light source's ability to show object colors "realistically" or "naturally".

We only use LED CRI 90+.

COLOR TEMPERATURE

We offer 2 different light colors for our mirrors.

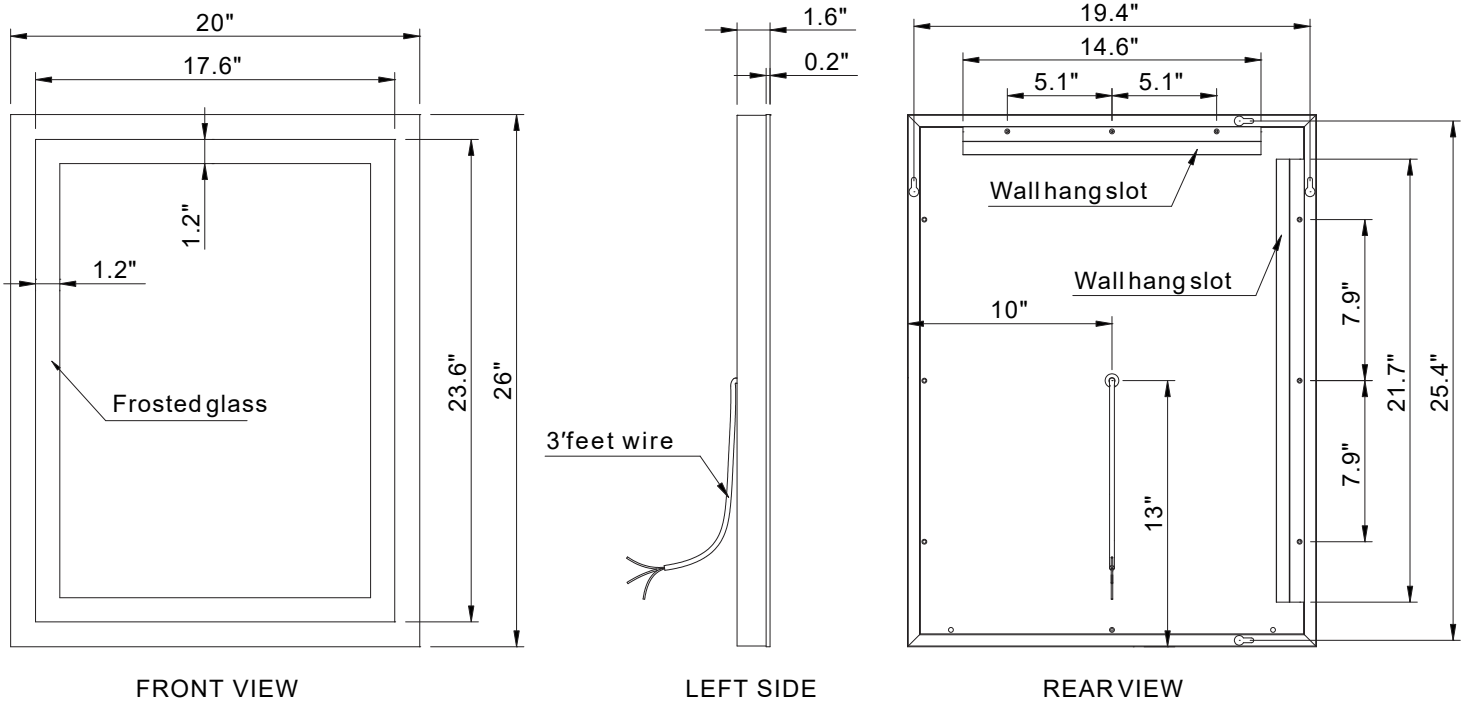
6000K: Pure white color light. It is the most popular color for makeup application and hairstyling.

In addition, the 6000K is 15% brighter than the 3000K light color. 85% of our customers choose the 6000K light color.

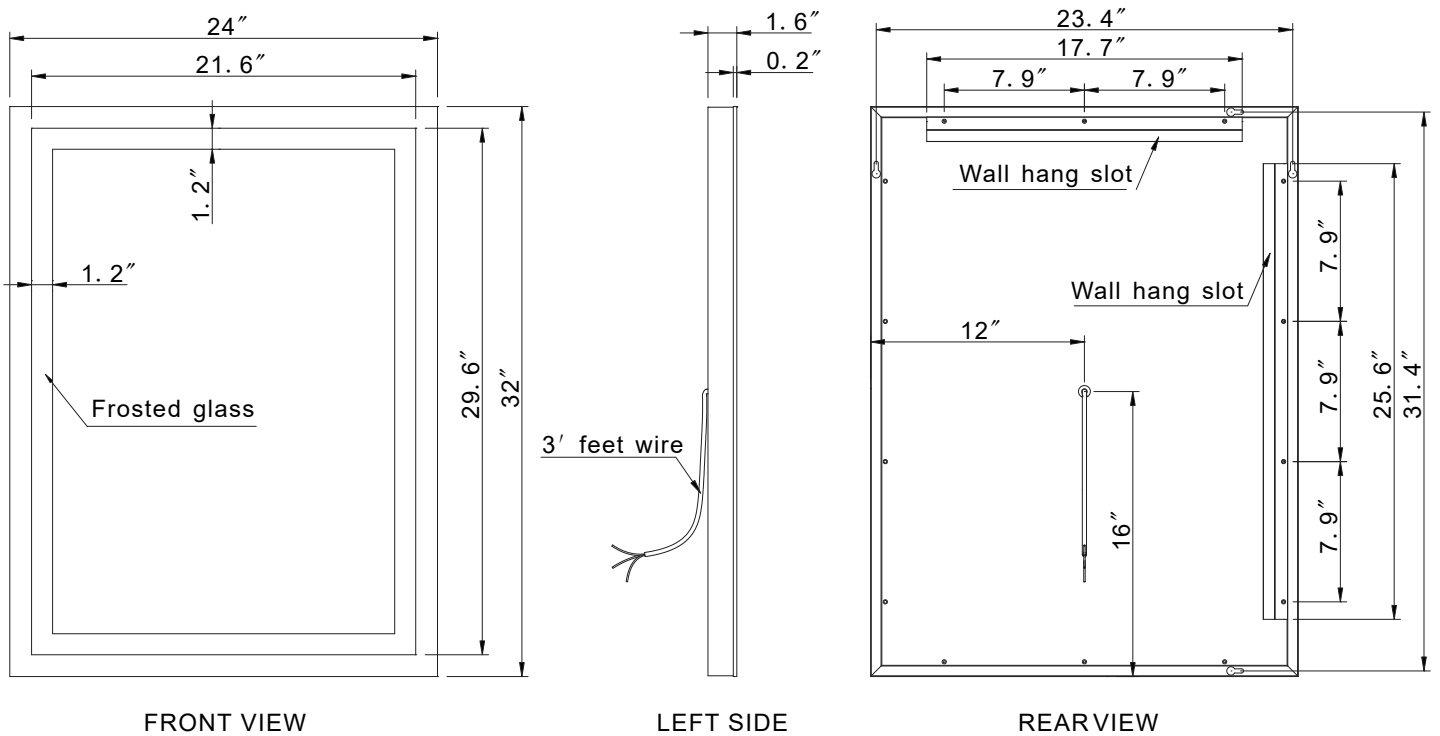
3000K: Warm white color light, the light is a little yellow.



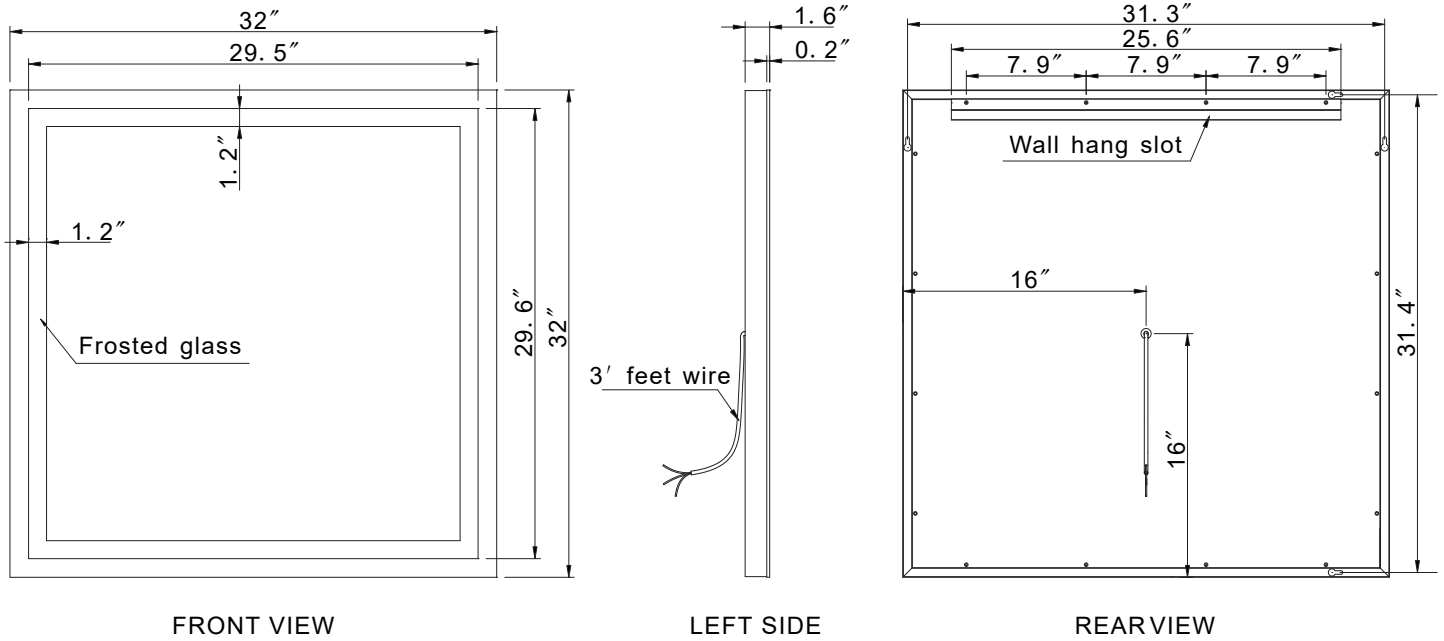
HARMONY RECTANGLE 20 X 26



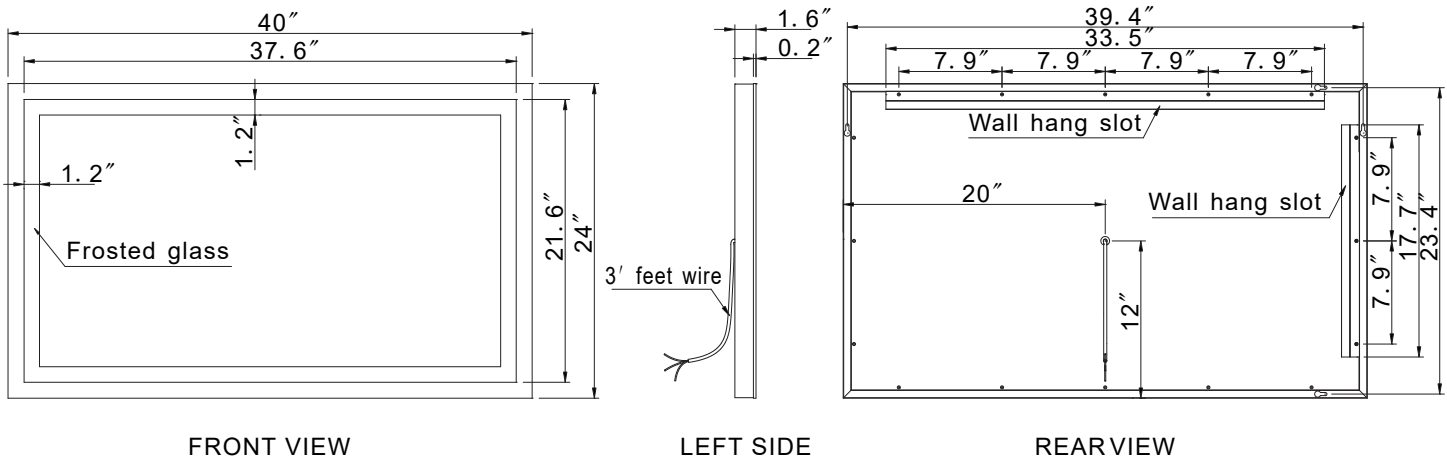
HARMONY RECTANGLE 24 X 32



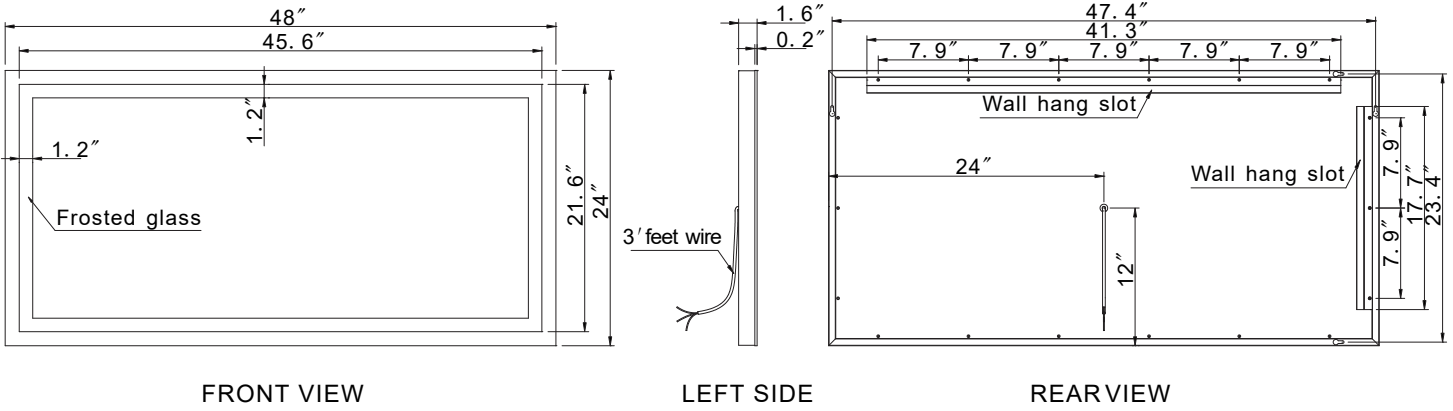
HARMONY RECTANGLE 32 X 32



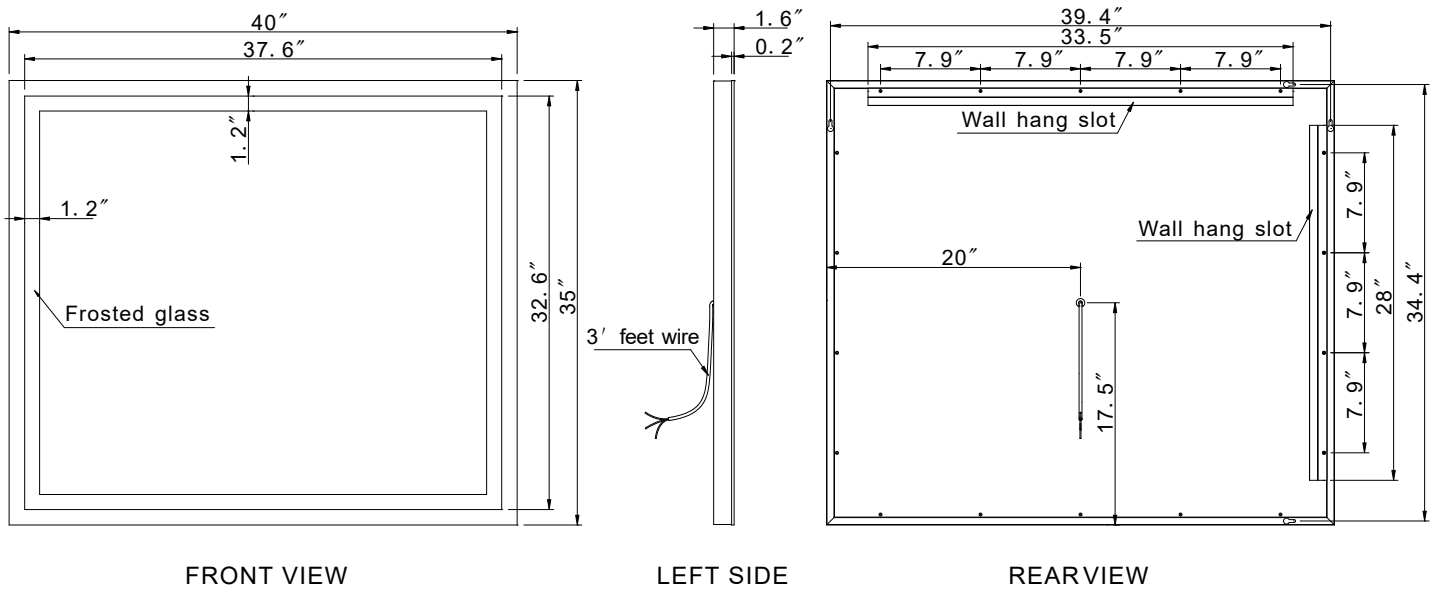
HARMONY RECTANGLE 40 X 24



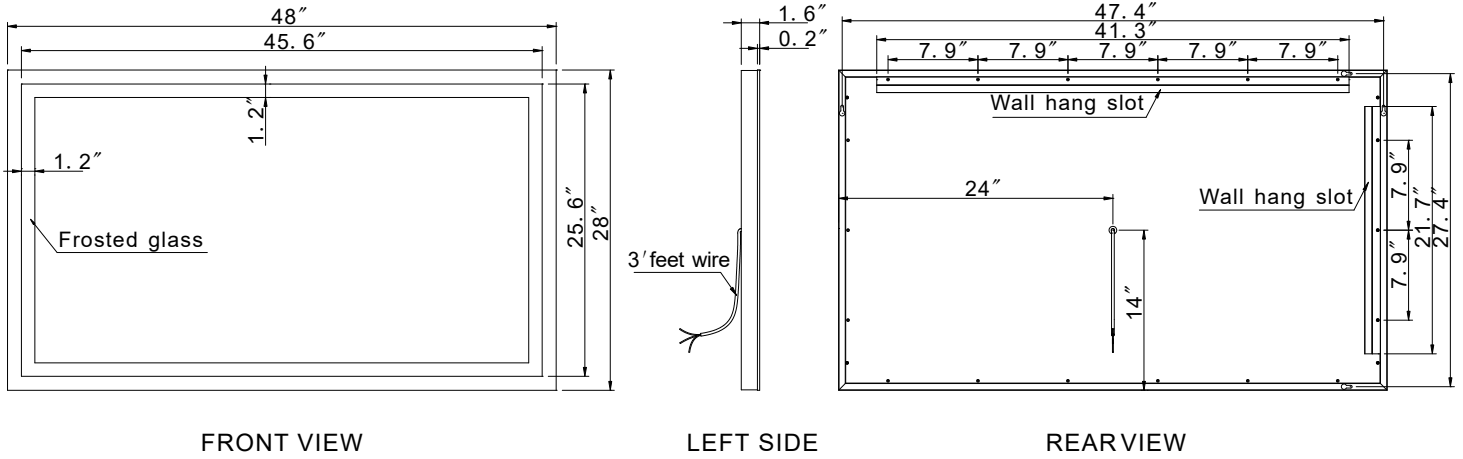
HARMONY RECTANGLE 48 X 24



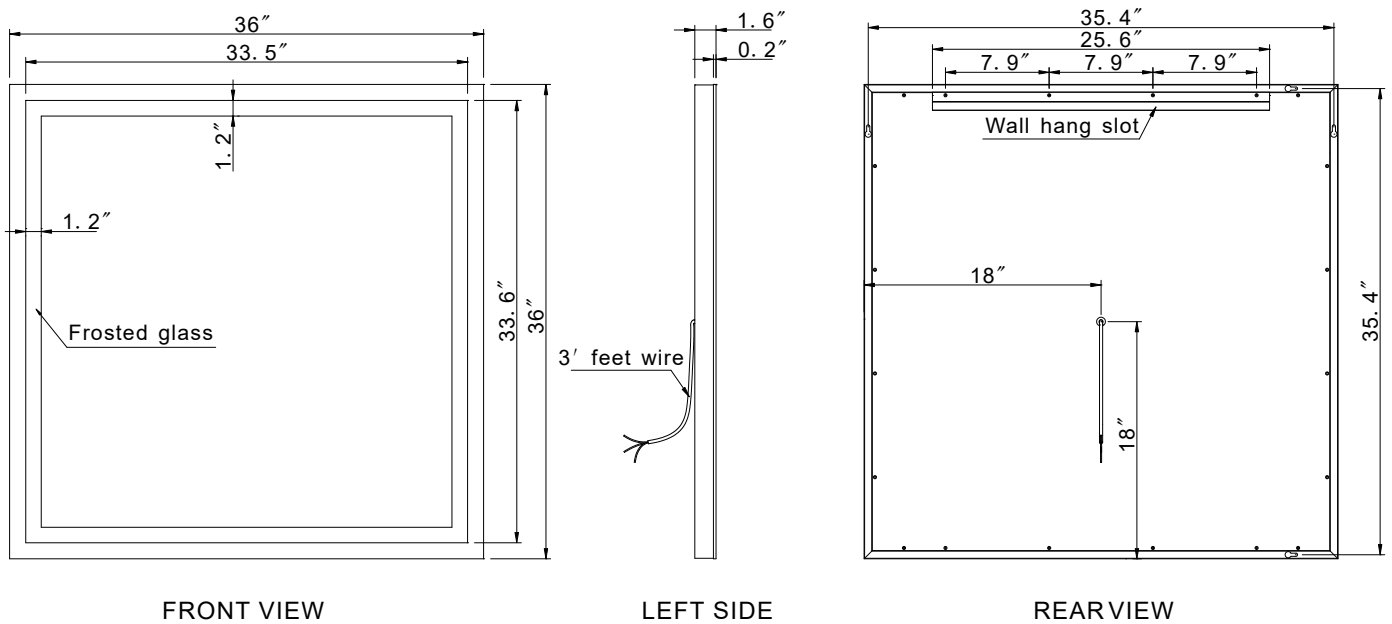
HARMONY RECTANGLE 40 X 35



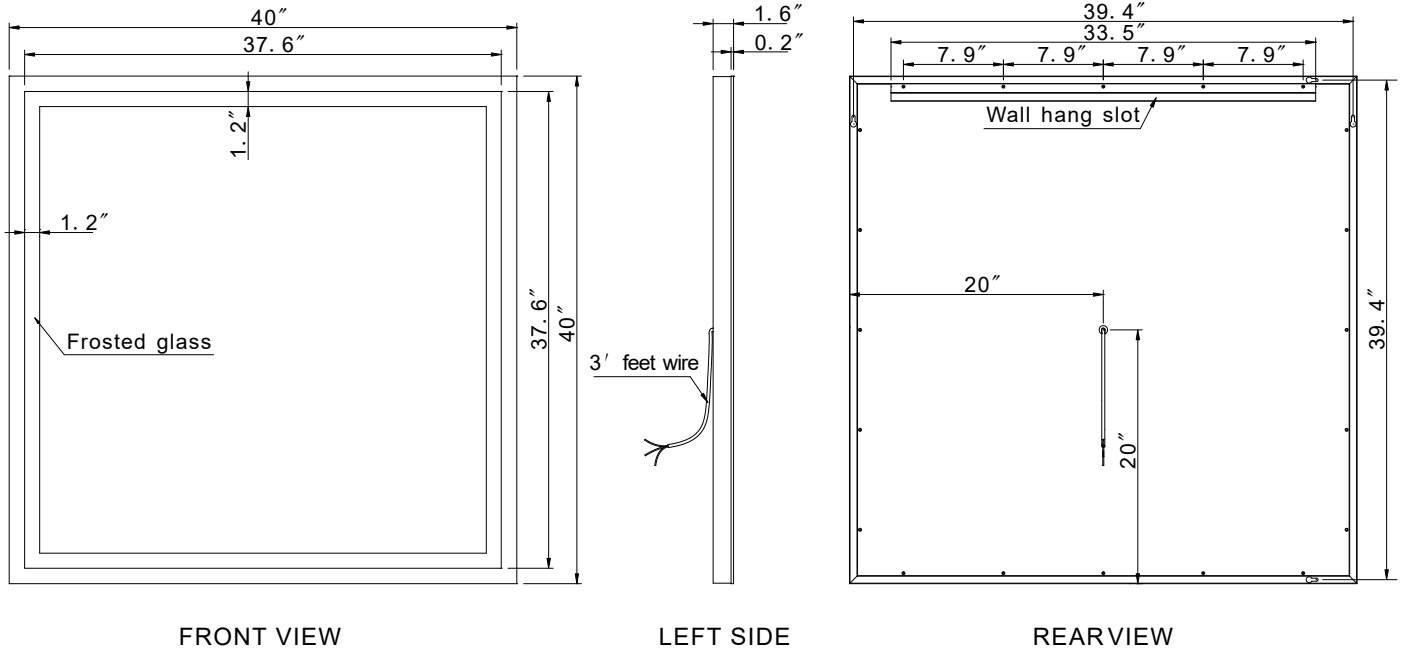
HARMONY RECTANGLE 48 X 28



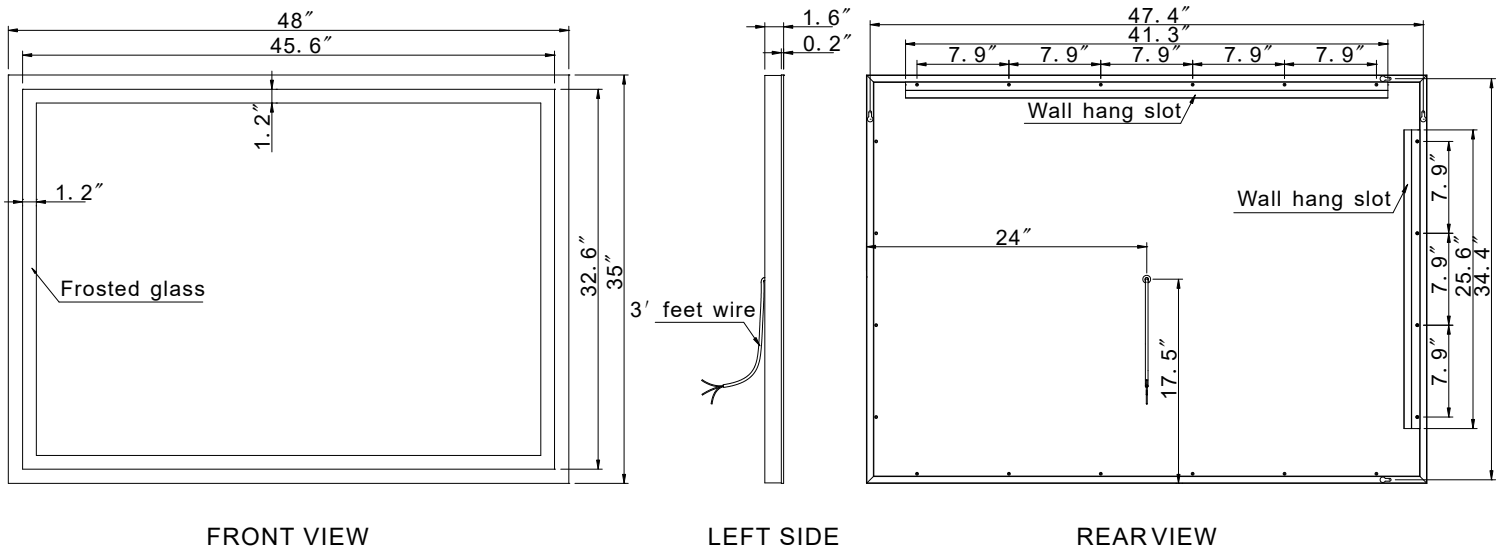
HARMONY RECTANGLE 36 X 36



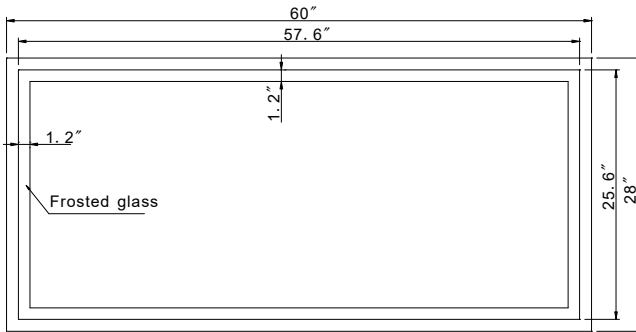
HARMONY RECTANGLE 40 X 40



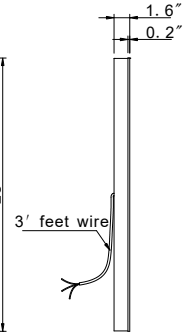
HARMONY RECTANGLE 48 X 35



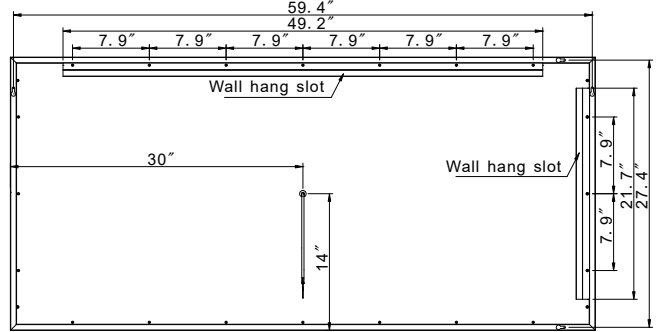
HARMONY RECTANGLE 60 X 28



FRONT VIEW

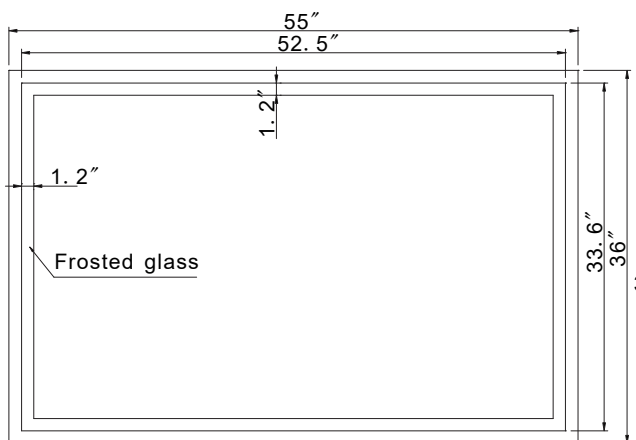


LEFT SIDE

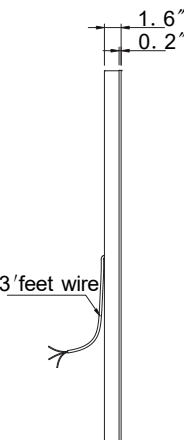


REARVIEW

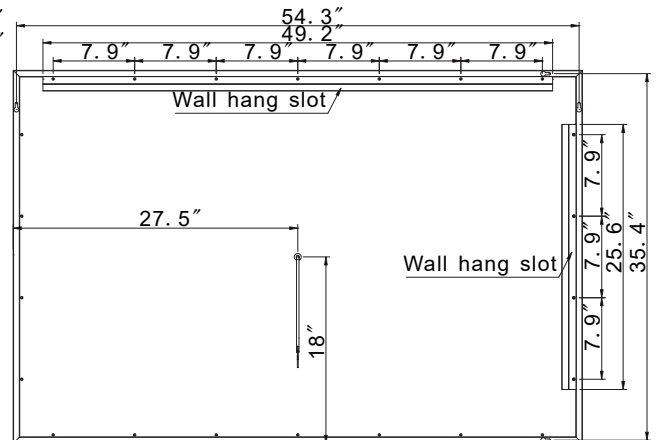
HARMONY RECTANGLE 55 X 36



FRONT VIEW

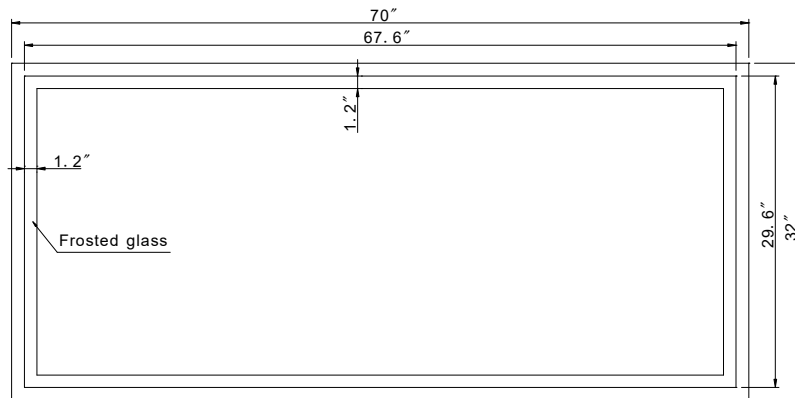


LEFT SIDE

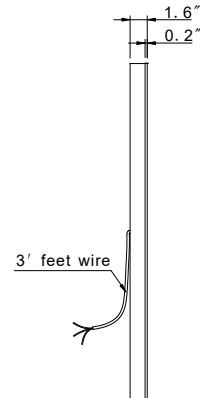


REARVIEW

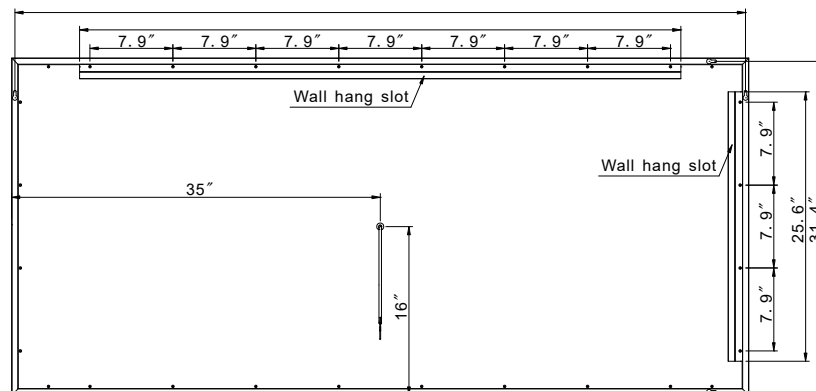
HARMONY RECTANGLE 70 X 32



FRONT VIEW

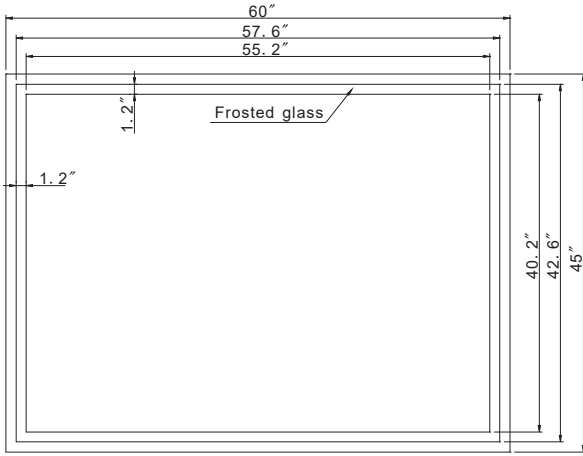


LEFT SIDE

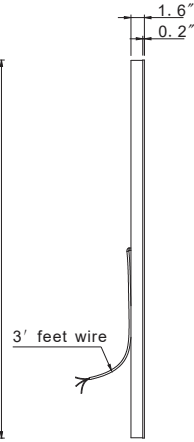


REAR VIEW

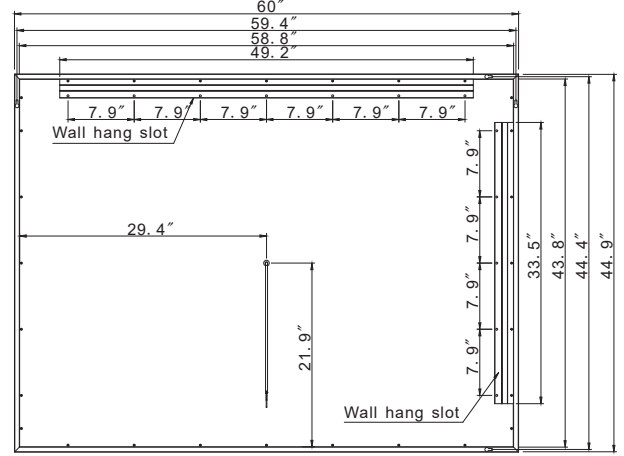
HARMONY RECTANGLE 60 X 45



FRONT VIEW

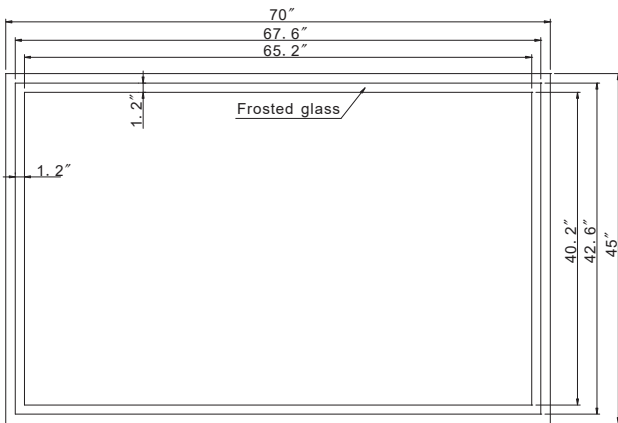


LEFT SIDE

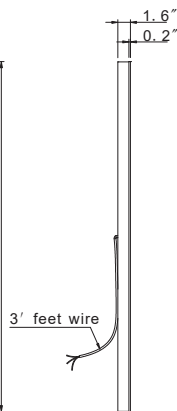


REARVIEW

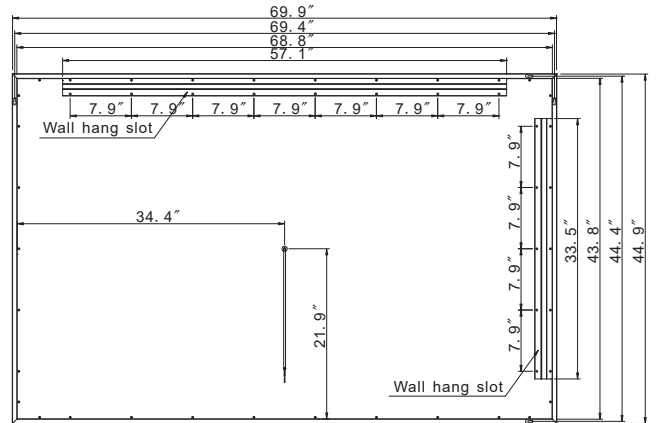
HARMONY RECTANGLE 70 X 45



FRONT VIEW

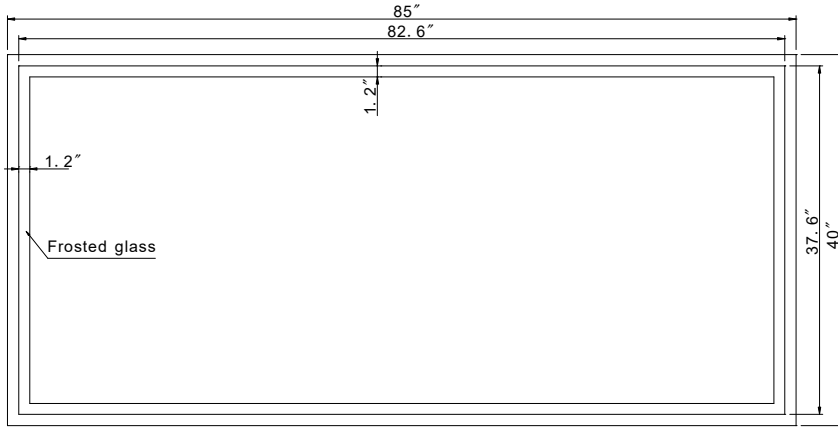


LEFT SIDE

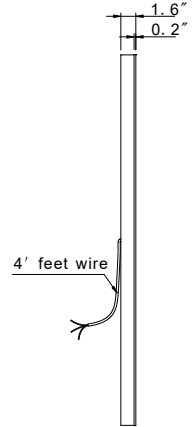


REARVIEW

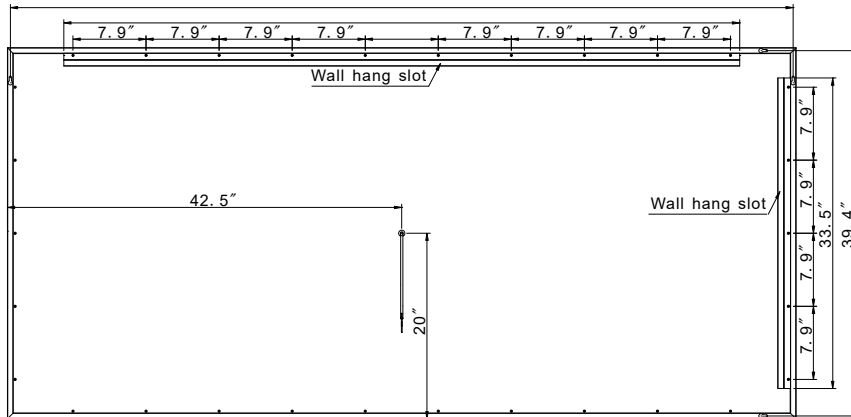
HARMONY RECTANGLE 85 X 40



FRONT VIEW

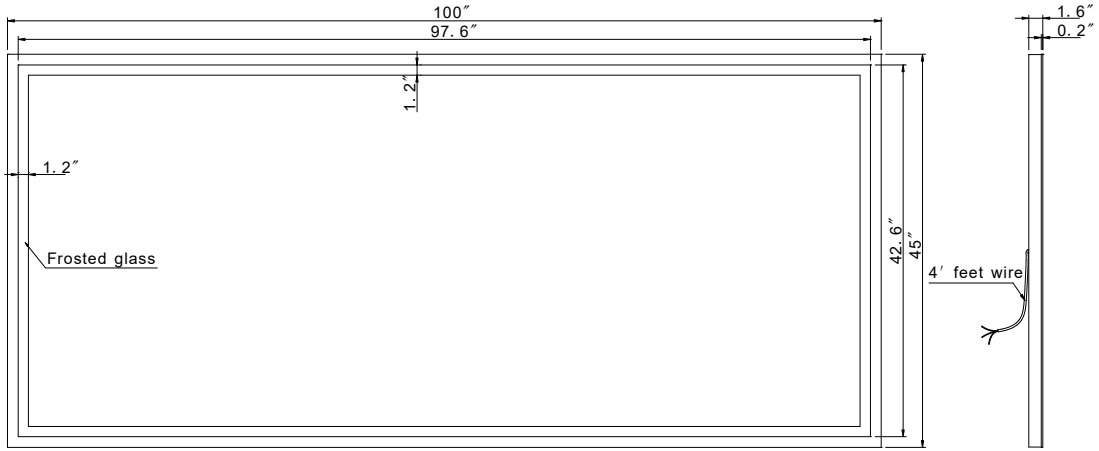


LEFT SIDE



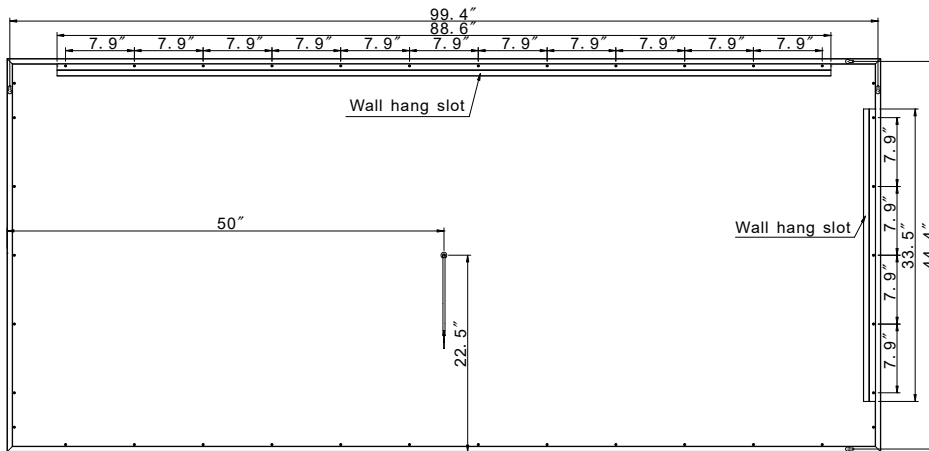
REAR VIEW

HARMONY RECTANGLE 100 X 45



FRONT VIEW

LEFT SIDE



REAR VIEW

INSTALLATION & AFTER CARE INSTRUCTIONS

Installation:

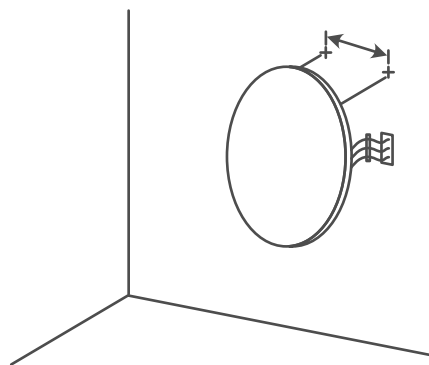
- All our LED mirrors have been independently tested for compliance with electrical equipment (safety) regulations.
- All illuminated and backlit mirrors are IP44 rated.
- Illuminated mirrors have been designed and independently tested for compliance to electrical equipment (safety) regulations, and are UL Certified.
- LEDs have a life expectancy of 120,000 hours of continuous use. All LED light fittings are replaceable and are available through our customer service.
- IMPORTANT: Always switch off the electrical supply at the mains during installation and maintenance.
- It is recommended that fuse is withdrawn or circuit breaker switched off before installation begins.
- Fitting in Bathrooms is subject to all regulations. It is not suitable for product installations in Saunas, Steam Rooms, or shower cubicles and it is recommended for permanent installation.

Care Safety:

- Wear suitable eye wear protection when drilling. Use caution when using power tools near water, beware of hidden cables or pipes.
- Take care if drilling on tiled surfaces in case the drill slips. A piece of masking tape applied to wall before marking out fixing holes will stop drill from moving.

Cleaning & Maintenance:

- It is recommended that the unit is cleaned with a soft, dry, non-abrasive cloth when turned off.
- Never use cleaning agents or abrasive material on any type of surface finish.
- Do not strike glass components with hard or pointed items.
- Do not place very hot or cold items against or close proximity to glass surfaces.



120V DIMMABLE LED DRIVER INCLUDED

- 1-Decide on wall positional placement.
- 2-Prepare & install wall hooks measured to distance between mirror's
- 3-Match & attach 3 electrical wires from mirror to home electrical wires: Live to Live, Ground to Ground, Neutral to Neutral.
- 4-Hang and affix to wall.