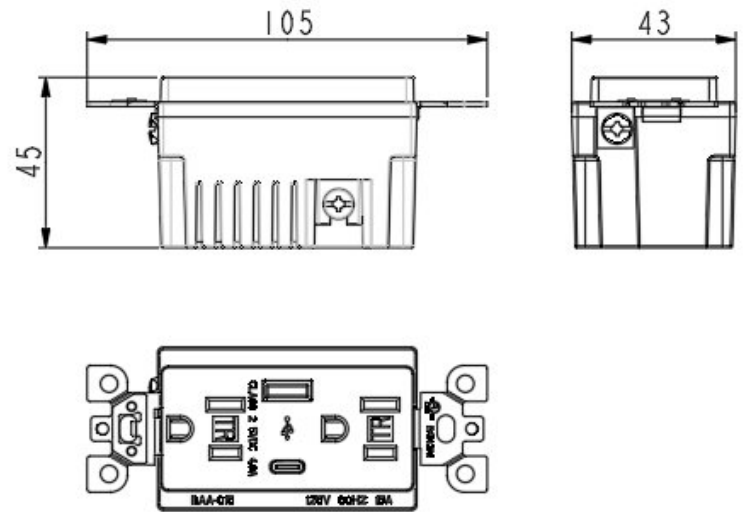




TECHNICAL DRAWING



DESCRIPTION

1. Smart System: Built-in smart chip recognizes the individual device's charging requirement to optimize the charge
2. Safety: Fireproof housing and high-quality components for long service life.
3. Unique 2 USB Ports: Charges two USB devices without adapters. There is a reversible Type C USB port for the increasingly popular electronic devices trend.
4. Tamper resistant (TR): TR design increases the electrical safety level by preventing the attempting to insert objects in to the outlet or open the plate.

Certification: cULus

Weight: 115g

Size: 105*43*45mm

TECHNICAL PARAMETER

- Receptacle Rating: 125V, 60Hz, 15A
- Dielectric Voltage Withstand: 1.25KV/1min
- Flame Class: UL94-V2
- USB Rating: 5VDC, 4.8A
- Wire: 12-14AWG