

FEATURES

- Output constant voltage
- Input voltage range 100-277VAC
- UL, cUL listed, Class 2, Class P, Type HL rated.
- Built-in PFC function, PF > 0.98, Efficiency > 90%
- Protections: short circuit / over load / over heat
- Full protection aluminum housing, for dry, damp and wet location
- Cooling by free air convection
- Strong compatibility
- Suitable for LED lighting and moving sign applications
- Compliance to worldwide safety regulations for lightings.

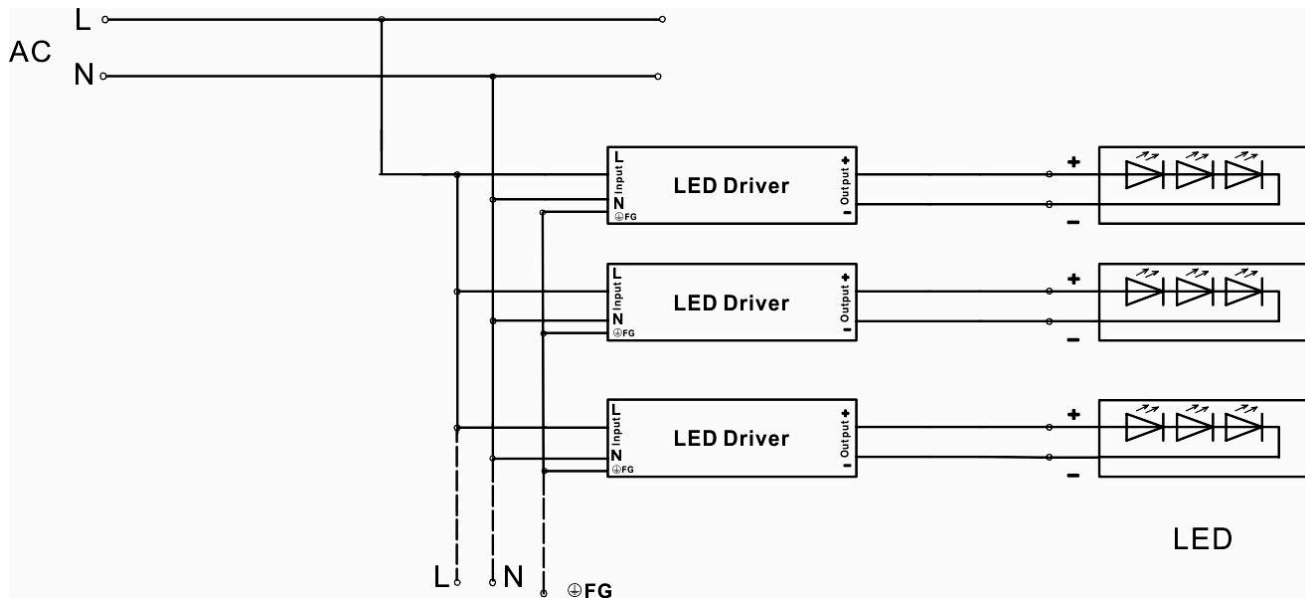
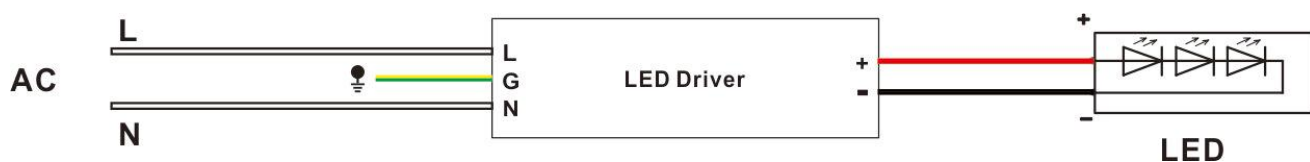
TECHNICAL SPECIFICATIONS

Model		LCPSLCO-24V-192WIP67
Output	DC Voltage	24V
	Voltage Tolerance	±0.5V
	Voltage Accuracy	±0.5V
	Voltage Regulation	±0.5%
	Load Regulation	±1%
	Rated Current	8.0A (2*4A)
	Rated Power	192W
Input	Voltage Range	100-277VAC
	Frequency Range	47 ~ 63HZ
	Power Factor (Typ.) @full load	0.99@120VAC 0.94@277VAC
	THD (Typ.) @full load	<20%
	Inrush Current (Typ.)	19A, 50%, 1.3ms @120VAC ; 38A, 50%, 960us @277VAC
	Efficiency (Typ.) @Full Load	88%@120VAC 90%@277VAC
	AC Current (Typ.)	2.3A @100VAC
	Leakage current	<0.50mA
Protection	Short Circuit	shut down o/p voltage, re-power on to recover after fault condition is removed
	Over load	≤120% Hiccup mode, recovers automatically after fault condition is removed
	Over temperature	100°C±10°C shut down o/p voltage, automatically recover after cooling
Environment	Working temp.	-40 ~ +60°C
	Working Humidity	20 ~ 90%RH, non-condensing
	Storage TEMP. Humidity	-40 ~ +80°C, 10 ~ 95%RH
	TEMP. coefficient	±0.03%/°C (0 ~ 50°C)
	Vibration	10 ~ 500Hz, 5G 10min./1 cycle, period for 60min. each along X,Y,Z axes
Safety & EMC	Safety standards	UL8750+UL1310
	Withstand voltage	I/P-O/P: 1.88KVAC
	Isolation resistance	I/P-O/P: 100MΩ/500VDC/25°C/70%RH
	EMC EMISSION	FCC 47 CFR Part 15, Subpart B
Others	Weight	1.9Kg
Notes	<p>1. All parameters NOT specially mentioned are measured at 120VAC input, rated load and 25°C of ambient temperature</p> <p>2. To extend the driver's lifespan, reduce the loading at lower input voltage.</p>	

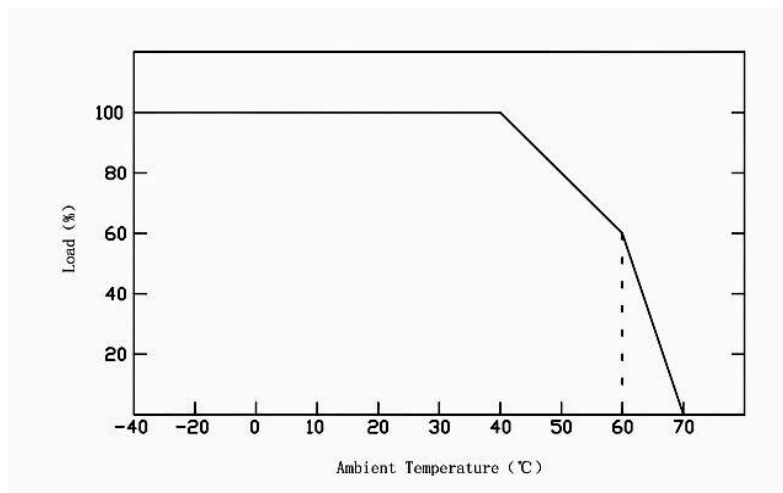
- Connect the black and white input wires to the AC L (live) and N (neutral) respectively, and the green wire to the ground.
- For the output wires, connect the red wire to the positive side (+) of the LED and the black wire to the negative side (-) of the LED.
- It is crucial to ensure these connections are made correctly to prevent malfunction and potential damage to the product.

CONNECTING DIAGRAM

Simple connection diagram



DERATING CURVE



Make sure to adjust the load based on the load derating curve, which accounts for changes in ambient temperature. This helps prolong the working life of the system.

INSTRUCTION

- This driver should be installed by a qualified professional.
- Ensure that the driver is installed with sufficient ventilation to allow for proper heat dissipation.
- Verify the wiring is correct before testing to prevent damage to the light and power supply.