

FEATURES

- Output constant voltage / Multi-output
- Input voltage range: 100-277VAC
- Built-in PFC function / PF>0.98
- High efficiency > 89% / Dimming range: 0~100% / Load: 10-100%
- Protections: short circuit / over voltage / over heat
- IP67 design for indoor or outdoor installations
- Cooling by free air convection
- Strong compatibility, flicker-free dimming, PWM output
- Compliance to worldwide safety regulations for lightings.
- Compatible with Forward phase, Reverse phase, Triac, MLV, ELV Dimmers
- UL, cUL listed, Class 2, Class P, Type HL rated. FCC

TECHNICAL SPECIFICATIONS

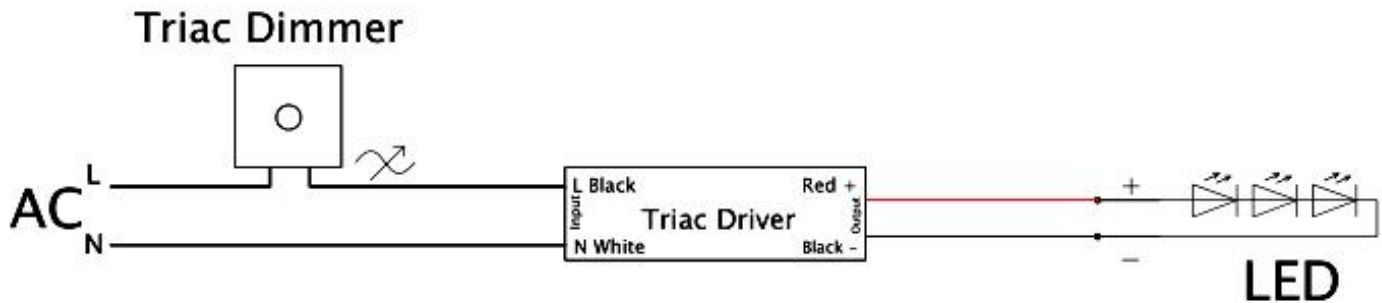
Model		LCPSL CODIMC2-24V-192W-IP67
Output	DC Voltage	24V
	Voltage Tolerance	±0.5V
	Voltage Accuracy	±0.5V
	Voltage Regulation	±0.5%
	Load Regulation	±1%
	Rated Current	8.0A (2*4A)
	Rated Power	192W
Input	Voltage Range	100-277VAC
	Frequency Range	47 ~ 63HZ
	Power Factor (Typ.) @full load	0.98@120VAC 0.95@277VAC
	THD (Typ.) @full load	<20%
	Inrush Current (Typ.)	19A, 50%, 1.3ms @120VAC ; 38A, 50%, 960us @277VAC
	Efficiency (Typ.) @Full Load	87%@120VAC 89%@277VAC
	AC Current (Typ.)	2.3A @100VAC
	Leakage current	<0.50mA
Protection	Short Circuit	Hiccup mode, recovers automatically after fault condition is removed.
	Over load	≤120% constant current limiting, auto-recovery
	Over temperature	100°C±10°C shut down o/p voltage, automatically recover after cooling
	Over voltage	≤140VAC (90~135V), ≤270VAC (170~265V)
Environment	Working temp.	-40 ~ +60°C
	Working Humidity	20 ~ 90%RH, non-condensing
	Storage TEMP., Humidity	-40 ~ +80°C, 10 ~ 95%RH
	TEMP. coefficient	±0.03%/°C (0 ~ 50°C)
	Vibration	10 ~ 500Hz 2G 10min./1 cycle, period for 60min.each along X,Y,Z axes
Safety & EMC	Safety standards	UL8750+UL1310
	Withstand voltage	I/P-O/P: 1.88KVAC
	Isolation resistance	I/P-O/P: 100MΩ/500VDC/25°C/70%RH
	EMC EMISSION	FCC 47 CFR Part 15, Subpart B
Others	Weight	1.7Kg
Notes	<p>1. All parameters not specifically mentioned are measured at 110V/277VAC input, rated load, and an ambient temperature of 25°C.</p> <p>2. Tolerance includes setup tolerance, line regulation, and load regulation.</p>	

- Connect the black and white input wires to the AC L (live) and N (neutral) respectively, and the green wire to the ground.
- For the output wires, connect the red wire to the positive side (+) of the LED and the black wire to the negative side (-) of the LED.
- It is crucial to ensure these connections are made correctly to prevent malfunction and potential damage to the product.

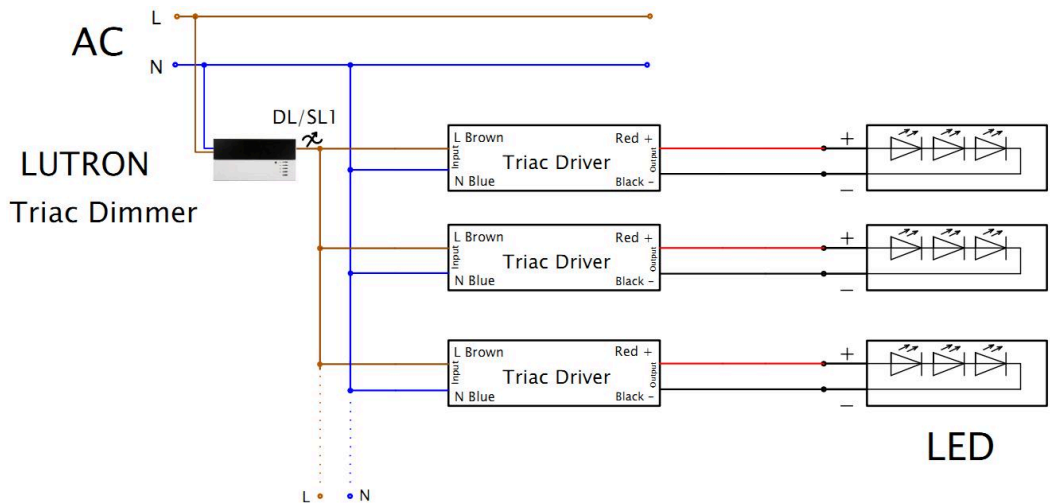
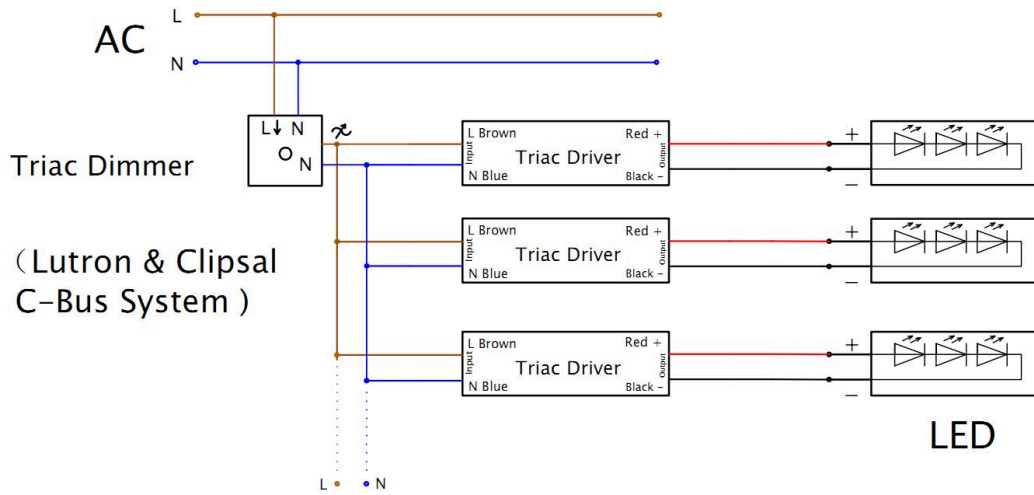
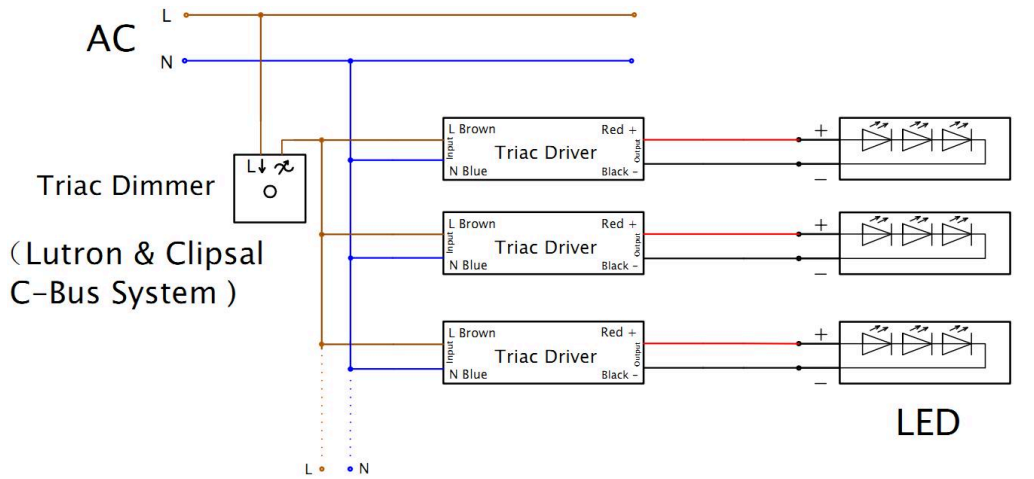
CONNECTING DIAGRAM

1. The output constant current level can be adjusted via the input terminal of the AC phase line (L) by connecting a triac dimmer.
2. The Pulse-Width Modulation (PWM) of the output voltage can be adjusted through the input terminal of the AC phase line (L) by connecting a phase/triac dimmer.
3. Compatible with forward phase (leading edge), magnetic low voltage, triac dimmers, and reverse phase (trailing edge), electric low voltage dimmers.
4. Use small power dimmers with a capacity at least 1.5 times the output power of the driver to achieve a wider dimming range. High-power dimmers may have difficulty reducing the output current to zero.

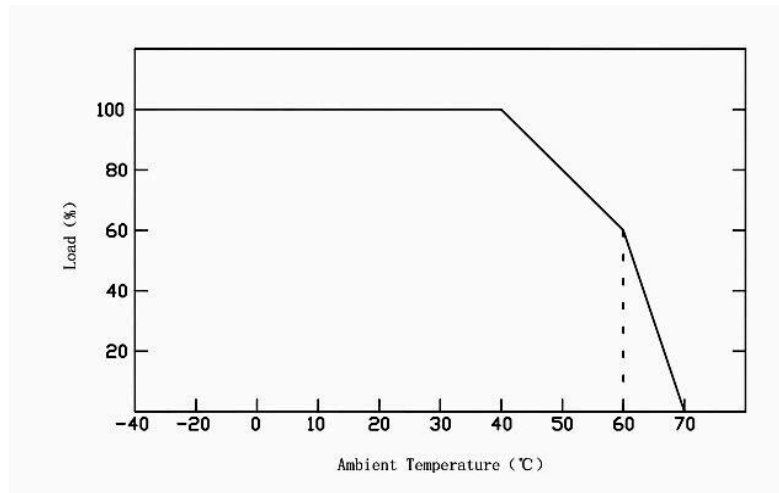
Simple connection diagram



CONNECTING DIAGRAM



DERATING CURVE



Make sure to adjust the load based on the load derating curve, which accounts for changes in ambient temperature. This helps prolong the working life of the system.

INSTRUCTION

- This driver should be installed by a qualified professional.
- Ensure that the driver is installed with sufficient ventilation to allow for proper heat dissipation.
- Verify the wiring is correct before testing to prevent damage to the light and power supply.