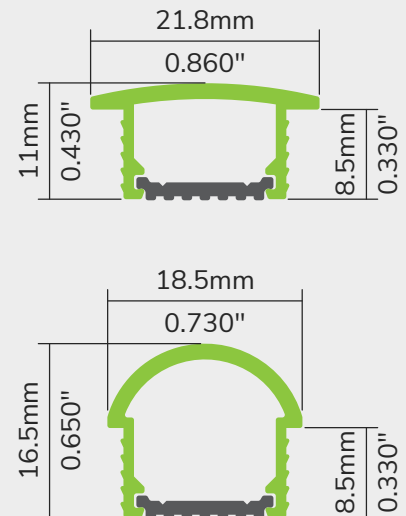




TECHNICAL DRAWING



SIMPLICITY ITSELF!

The 51 model features an Aluminum heat sink base that seamlessly fits into a flexible recessed lens with gripping sides. This innovative design ensures a quick and effortless installation process, as the assembly can be easily inserted into the recess and securely held in place by the ribbed lens sides. With its compact dimensions of 5/8" width and 3/8" depth, this profile is specifically tailored to perfectly fit North American cabinetry, closets, or mural applications. Not only is it a cost-effective solution, but it also provides uniform lighting without any unwanted hot spots.

FEATURES

- Designed for recessed installation.
- Available in 8 foot length.
- Custom fabrication up to 96 inches.
- Accommodates and protects the majority of our LED strips.
- Certified for the Canadian market.



COLOR



AL - Aluminum - Plain

LENS



OP - Opal



OPR - Opal round



SIL - SiLens

MOUNTING



3M - Mounting tape, double face