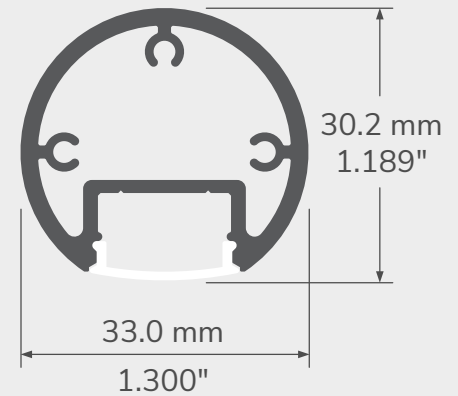




TECHNICAL DRAWING



DRESS UP YOUR CLOSET!

The 785 profile is a direct replacement of standard closet rods, and even curtain rods. Whether you need to light your way through the morning wardrobe, or turn your sheer curtains into a privacy screen at night, this profile will do the job. This profile can even be used to replace your shower curtain rod when installed with IP68 graded LED engine and power supply suitable for wet locations.



FEATURES

- Standard diameter for wardrobe rods, compatible with a wide range of hardware on the market.
- Compatible with the 1000 Series lenses.
- Custom length by sections of 6 to 240 inches (6m).
- Application guide for 10mm (3/8-inch) LED engine or less.
- Made of ALCOA 6063-T5 aluminum alloy increasing heat dissipation.
- Designed to meet North American woodworking standards.

PROFILE	LENSES	MOUNTING HARDWARE	SUPPORT	MOTION SENSORS*	LENGTH
 <p>785- Profile, Alu</p>	 <p>CL- Clear lens</p>  <p>SP- Spread lens</p>  <p>OX- Optiflex lens</p>  <p>OP- Opal lens</p>  <p>PR- Prime lens</p>	 <p>BR1- Heavy duty Closet Rod bracket kit</p>  <p>BR3- Screwless finish hangers</p>  <p>EC0- Standard endcaps, Alu.</p>	 <p>BR2- Ceiling support (should be ordererd at every 48")</p>	 <p>SEN1- 30 sec. Embedded</p>  <p>SEN2- 30 sec. Outside extrusion</p>  <p>SEN3- 4 min. Embedded</p>  <p>SEN4- 4 min. Outside extrusion</p>	<p>Custom length by sections of 6 to 240 inches (6m).</p>

