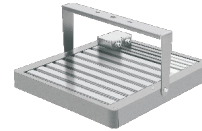


D Type Mounting



U Type Mounting



H Type Mounting



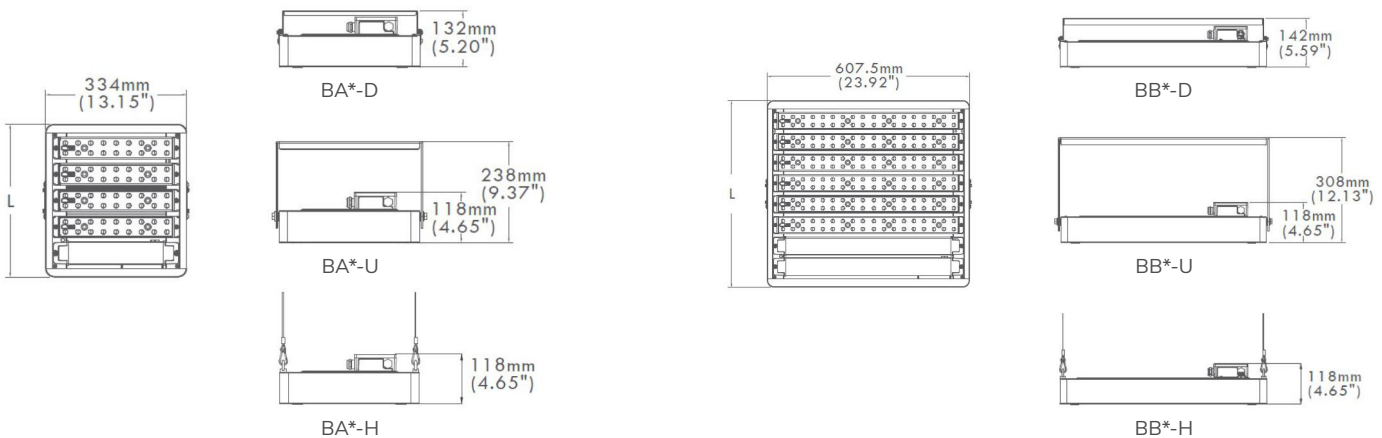
PRODUCT INTRODUCTION

The Model B High Bay light has been specifically designed to provide the most powerful & reliable high bay lighting for large areas such as hangars, stadiums and other large areas. The design makes it possible to re-use the existing infra-structure as in roof beam, cabling and power supply, so no additional investment is needed.

With superior patented, high-efficiency spill light control system, high light output and low weight, these fixtures are designed to provide an uniform and superior quality anti-glare illumination to large-scale areas.

The modern, yet rugged fixture housing is constructed of high grade aluminum with exceptional heat sink design, insure that these high bay fixtures will last for more than 20 years or 100,000 hours of operation, making them virtually maintenance free for a lifetime.

TECHNICAL DRAWING



PERFORMANCE SUMMARY

Input Voltage	100-277VAC or 277-480VAC, 50/ 60Hz
Nominal Power	40W~960W
Efficiency	Up to 160 LPW
CRI	Ra>70(Default)/ Ra>80/ Ra>90
Power Factor	>0.9 at full load
Total Harmonic Distortion	<20% at full load
Surge Protection Device	Imax 10KA
Optic (IESNA)	Type I, Type V
Operating Temperature	-40°C~+50°C
Accessories & Options	1-10V Dimming, PWM, DALI, DMX, Motion Sensor, Emergency Power Supply, Photocell MINI, Back Light Shield
Color Options	Black, Grey
L70/L90	>200,000H/ >60,000H
Limited Warranty	10 years limited warranty



Not all products are qualified on the DLC QPL. To view our DLC qualified products, please consult the DLC Qualified Products List at www.designlights.org

ORDERING INFORMATION

MODEL	INPUT VOLTAGE	MOUNTING	COMMON OPTIC	CCT	COLOR	OPTIONS
BAC40	L	D	T1S	19K	BK	DIM
BAC80	100-277VAC	U	T5M	1900K	Black-RAL9011	1-10V Dimming
BAC120	H	H	T5W	22K	GY	PWM
BAC160	277-480VAC		T10D	2200K	Gray-RAL7004	10V PWM Control
BAC200			T20D	3000K		DALI
BAC240			T40D	4000K		DALI Control
BAC320			T60D	4000K		DMX
BAD60			T90D	50K		DMX control
BAD120				5000K		MMS
BAD180				57K		Motion Sensor
BAD240				5700K		EPS
BAD300						Emergency Power Supply
BAD360						PCM
BAD480						Photocell MINI
BBD720						BLS
BBD960						Back Light Shield

With the exception of the DIM, all options require prior confirmation with the engineer.

SPECIFICATION FEATURES

Construction:

Extruded aluminum driver enclosure thermally isolated from Light Squares for optimal thermal performance. Heavy-wall, die cast aluminum end caps enclose housing and extruded aluminum heat sinks. A unique, patent pending interlocking housing and heat sink provides scalability with superior structural rigidity. 3G vibration tested and rated. Optional tool-less hardware available for ease of entry into electrical chamber. IP66 water-proof and dust-proof rated.

Optics:

Patented, high-efficiency spill light control technology. With a wide-range of optic lenses and flux options for the luminaire, it can send light exactly in the right direction and illuminate only the area of interest as efficient as possible. This will let you avoid any light waste and shine light only where is needed. With multiple spill light control options, it diminishes the light that shines towards the sky and windows of houses around the field of play to protect night preservation and biodiversity and minimize light nuisance issues.

Electrical:

LED drivers can be mounted to removable tray assembly, which is separated drivers pack, for ease of maintenance. 100-277VAC 50/60Hz, 277-480VAC 50/60Hz Operation. The Model B is suitable for operation in -40°C to 50°C ambient environment. Available in standard 700mA and 1050mA driver current.

Mounting:

D-type, U-type and H-type bracket mounting allow for mounting flexibility. Each type of mounting method can be shifted by only change the mounting bracket for ease of installation and stock. Extruded aluminum arm includes internal bolt builders allowing for easy positioning of fixture during mounting.

In addition, pole mounting is available for customization.

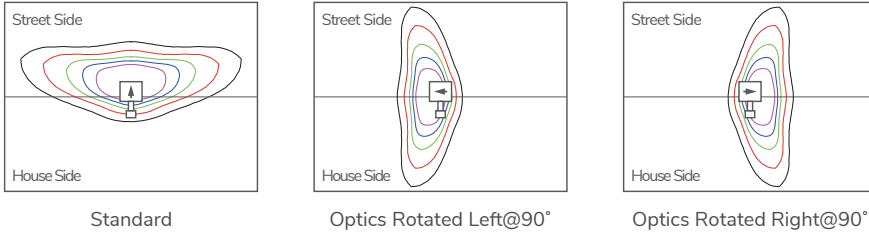
Finish:

Housing finished in super durable powder coat paint, corrosion resistant polyester powder painted 100µm thickness. Meets 1000-hour salt spray certification per ASTM Standard B117. Standard housing colors of Black and Gray. other housing colors can be customized.

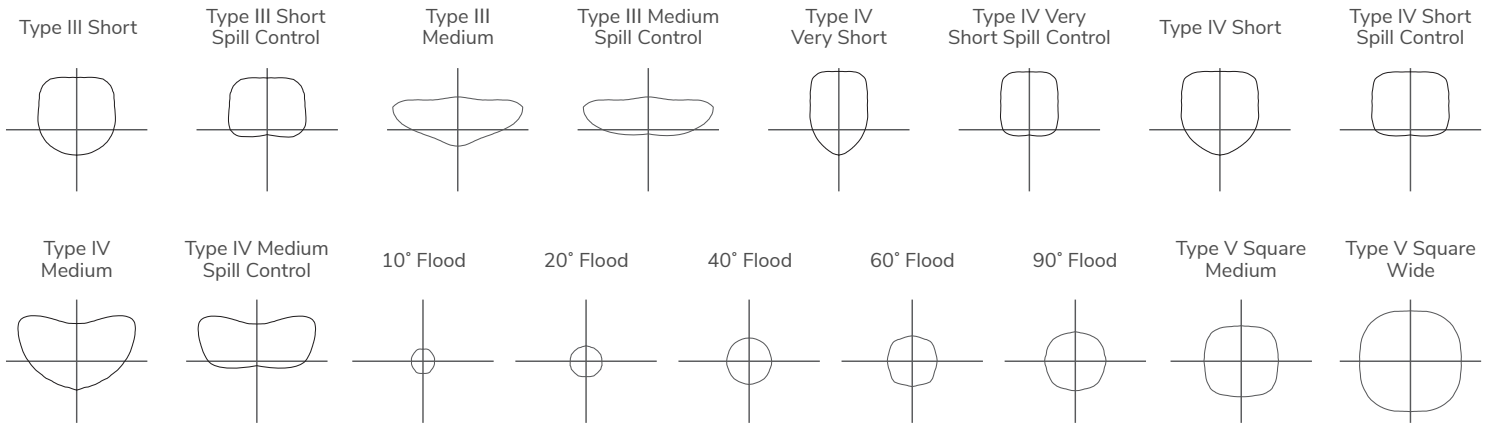
Certification:

- cULus Listed
- CE-LVD / CE-EMC / CB
- DLC Premium qualified versions available
- IP66 /IK10
- RoHS compliant
- Endurance tested to withstand 1,000 hours of elevated ambient salt fog conditions as defined in ASTM Standard B117
- 10KA surge suppression protection tested in accordance with IEEE/ANSI C62.41.2
- Certified to ANSI C136.31-2010, 3G bridge and overpass vibration standards

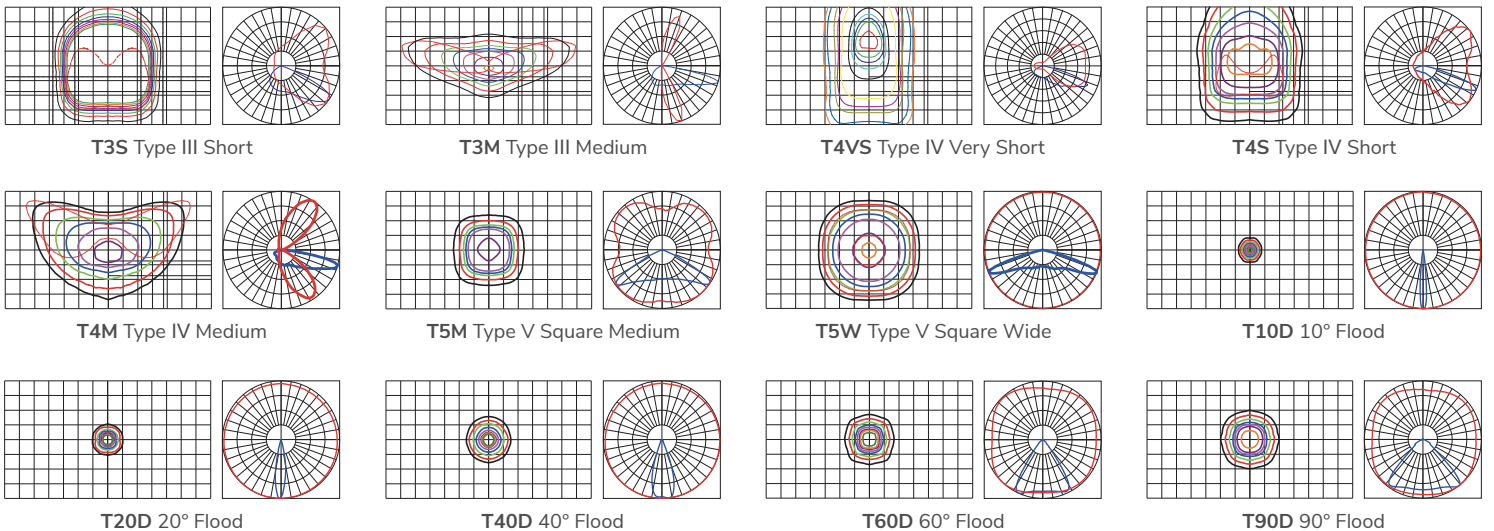
OPTIC ORIENTATION



OPTICAL DISTRIBUTION



PHOTOMETRY



PRODUCT IMAGE



BRIEF SPECIFICATIONS

Model	Nominal power	LED current	Module number	Module power	Product size L*W*H (mm/in)	Product size L*W*H (mm/in)	Net weight	Gross weight	Typical luminous flux(lm)	Typical efficiency (lm/W)
-------	---------------	-------------	---------------	--------------	----------------------------	----------------------------	------------	--------------	---------------------------	---------------------------

100-277VAC

BAC40L	40W	700mA	1	40W	175(6.89)*334(13.15)*132(5.20)	410(16.14)*425(16.73)*160(6.30)	4.4KG	5.4KG	6000	150
BAC80L	80W	700mA	2	40W	238(9.37)*334(13.15)*132(5.20)	410(16.14)*425(16.73)*160(6.30)	5.7KG	6.8KG	12160	152
BAC120L	120W	700mA	3	40W	301(11.83)*334(13.15)*132(5.20)	475(18.70)*425(16.73)*160(6.30)	5.8KG	6.9KG	18600	155
BAC160L	160W	1050mA	4	40W	363(14.29)*334(13.15)*132(5.20)	535(21.06)*425(16.73)*160(6.30)	7.2KG	8.4KG	24960	156
BAC200L	200W	1050mA	5	60W	426(16.75)*334(13.15)*132(5.20)	600(23.62)*425(16.73)*160(6.30)	7.3KG	8.5KG	31000	155
BAC240L	240W	1050mA	6	60W	488(19.21)*334(13.15)*132(5.20)	660(25.98)*425(16.73)*160(6.30)	8.8KG	10.1KG	34800	145
BAC320L	320W	1050mA	8	60W	675(26.57)*334(13.15)*132(5.20)	845(33.27)*425(16.73)*160(6.30)	10.5KG	12.0KG	49600	155
BAD60L	60W	700mA	1	60W	176(6.91)*334(13.15)*132(5.20)	410(16.14)*425(16.73)*160(6.30)	4.4KG	5.4KG	8340	139
BAD120L	120W	700mA	2	60W	238(9.37)*334(13.15)*132(5.20)	410(16.14)*425(16.73)*160(6.30)	5.8KG	6.9KG	16560	138
BAD180L	180W	700mA	3	120W	301(11.83)*334(13.15)*132(5.20)	475(18.70)*425(16.73)*160(6.30)	6.3KG	7.4KG	25920	144
BAD240L	240W	700mA	4	120W	363(14.29)*334(13.15)*132(5.20)	535(21.06)*425(16.73)*160(6.30)	7.4KG	8.6KG	34080	142
BAD300L	300W	1050mA	5	40W	488(19.21)*334(13.15)*132(5.20)	600(23.62)*425(16.73)*160(6.30)	10.5KG	12.0KG	42600	142
BAD360L	360W	1050mA	6	40W	550(21.65)*334(13.15)*132(5.20)	725(28.54)*425(16.73)*160(6.30)	18.2KG	20.2KG	50760	141
BAD480L	480W	1050mA	8	40W	675(26.57)*334(13.15)*132(5.20)	845(33.27)*425(16.73)*160(6.30)	22.6KG	24.8KG	67200	140
BBD720L	720W	1050mA	6	60W	561(22.07)*608(23.94)*132(5.20)	730(28.74)*700(27.56)*160(6.30)	7.8KG	9.0KG	100080	139
BBD960L	960W	1050mA	8	60W	686(26.99)*608(23.94)*132(5.20)	855(33.66)*700(27.56)*160(6.30)	9.3KG	10.6KG	133440	139

277-480VAC

BAC80H	80W	700mA	2	40W	238(9.37)*334(13.15)*132(5.20)	410(16.14)*425(16.73)*160(6.30)	5.7KG	6.8KG	12160	152
BAC120H	120W	700mA	3	40W	301(11.83)*334(13.15)*132(5.20)	475(18.70)*425(16.73)*160(6.30)	5.8KG	6.9KG	18600	155
BAC160H	160W	1050mA	4	60W	363(14.29)*334(13.15)*132(5.20)	535(21.06)*425(16.73)*160(6.30)	7.2KG	8.4KG	24960	156
BAC200H	200W	1050mA	5	60W	426(16.75)*334(13.15)*132(5.20)	600(23.62)*425(16.73)*160(6.30)	7.3KG	8.5KG	31000	155
BAC240H	240W	1050mA	6	60W	488(19.21)*334(13.15)*132(5.20)	660(25.98)*425(16.73)*160(6.30)	8.8KG	10.1KG	34800	145
BAC320H	320W	700mA	8	60W	675(26.57)*334(13.15)*132(5.20)	845(33.27)*425(16.73)*160(6.30)	10.5KG	12.0KG	49600	155
BAD120H	120W	700mA	2	60W	238(9.37)*334(13.15)*132(5.20)	410(16.14)*425(16.73)*160(6.30)	5.8KG	6.9KG	16560	138
BAD180H	180W	700mA	3	120W	301(11.83)*334(13.15)*132(5.20)	475(18.70)*425(16.73)*160(6.30)	6.3KG	7.4KG	25920	144
BAD240H	240W	700mA	4	120W	363(14.29)*334(13.15)*132(5.20)	535(21.06)*425(16.73)*160(6.30)	7.4KG	8.6KG	34080	142
BAD300H	300W	1050mA	5	40W	488(19.21)*334(13.15)*132(5.20)	600(23.62)*425(16.73)*160(6.30)	10.5KG	12.0KG	42600	142
BAD360H	360W	1050mA	6	40W	561(22.07)*608(23.94)*132(5.20)	730(28.74)*700(27.56)*160(6.30)	18.2KG	20.2KG	50760	141
BAD480H	480W	1050mA	8	40W	686(26.99)*608(23.94)*132(5.20)	855(33.66)*700(27.56)*160(6.30)	22.6KG	24.8KG	67200	140
BBD720H	720W	1050mA	6	60W	488(19.21)*334(13.15)*132(5.20)	600(23.62)*425(16.73)*160(6.30)	7.8KG	9.0KG	100080	139
BBD960H	960W	1050mA	8	60W	550(21.65)*334(13.15)*132(5.20)	725(28.54)*425(16.73)*160(6.30)	9.3KG	10.6KG	133440	139

CERTIFICATION & STANDARDS

Certification	Standards	Remark
CE-LVD Low Voltage Directive (2014/35/EC)	EN 60598-2-3/ A1:2011	Applicable for Street Light
	EN 60598-2-5:2015	Applicable for Flood Light
	EN 60598-1:2015/ A11:2018	
	EN 62471:2008	
	EN 62493:2015	
CE-EMC Electromagnetic Compatibility Directive (2014/30/EU)	EN 55015:2013/ A1:2015	
	EN 61547:2009	
	EN 61000-3-2:2014	
	EN 61000-3-3:2013	
CE-ErP Energy-Related Products Directive (2009/125/EU)	EU 1194/ 2012:2012-12-12	
	EC 244/ 2009:2009-03-18	
	EU 859/ 2009:2009-09-18	
CE-RoHS Directive (2011/65/EU)	EN 62321:2009	
CB	IEC 60598-2-3/ A1:2011	Applicable for Street Light
	IEC 60598-2-5:2015	Applicable for Flood Light
	IEC 60598-1:2014	
	IEC 62471:2006	
	IEC 62471-2:2009	
ENEC	EN 60598-2-3/ A1:2011	Applicable for Street Light
	EN 60598-2-5:2015	Applicable for Flood Light
	EN 60598-1: 2015/ A1: 2018	
	EN 62471:2008	
	EN 62493:2010	
SAA	AS/ NZS60598.2.3:2015	
	AS/ NZS60598.1:2017	
ATEX ATEX 95 Equipment Directive (94/9/EC)	EN 60079-0:12	
	EN 60079-11:12	
	EN 60529:1989+A1:1999	
UL	UL1598	
	UL8750	
	CSA C22.2 No. 250.0-08 CSA C22.2 No. 250.13-14	
FCC	Title 47 CFR Part 15	
PSE	Japan Electrical Appliance and Material Safety Law Ministerial Ordinance Attached Table No. 8 (Safety) Japan Electrical Appliance and Material Safety Law Ministerial Ordinance Attached Table No. 10 (EMC)	
Photobiological Safety	EN 62471:2008 IEC 62471:2006	
Vibration test	ANSI C136.31-2010	Applicable for Street Light
Salt spray test	IEC/ EN 60598-2-5 clause 5.6.7	Applicable for Flood Light
	ISO 9227:2012	
IK08 Impact resistance test IP65 or IP67 test	ASTM	
	IEC 60226:2002	
Photometric and Integrating Sphere test	IEC/ EN 60598-1:2015 clause 9.2.2 and clause 9.2.6 or clause 9.2.8	
	IES LM-79-2008	
	ANSI C82.77-2002	
	ANSI C78.377-2011	
	CIE13.3-1995	
	CIE15-2004	
LED Module	IES TM-15- IES LM-63-2002	
	IEC/ EN 62031:2008+A1:2013	
LED Lamps	IES LM-80-2008	
	ANSI C78.377-2011	
	JESD22 A108	
	JESD22 A101C	
	JESD22 A105	
	JESD22 B104	
	JESD22 A114	
LED Driver	EN 61347-1:2008	
	EN 61347-2-13:2006	
	EN 62384:2006+A1:2009	
	EN 55015:2006+A1:2007+A2:2009	
	EN 61000-3-2:2006+A1:2009+A2:2009	
	EN 61000-3-3:2008	
	EN 61547:2009	
	IEC 62386 Part 102 and Part 207	Applicable for DALI
	UL1012 UL879 UL935	
	FCC Title 47 CFR Part 15 Class A	
Surge Protection Device	ANSI/ IEEE C62.41.2-2002 UL1449	
Receptacle	ANSI C136.10-2010	
Dimming Receptacle	ANSI C136.41-2013	