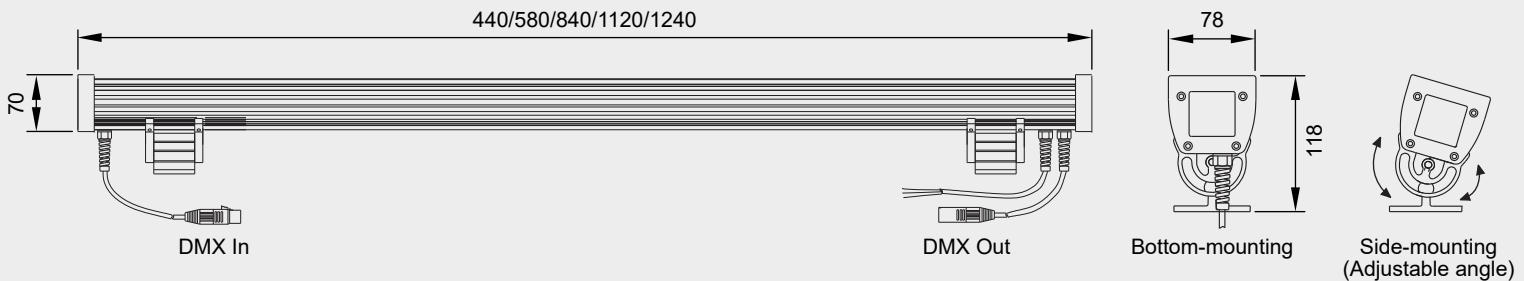




Unit: mm



SPECIFICATIONS

- | | | | |
|------------------------|-------------------------------------|------------------------|---|
| • Input voltage : | 24V DC/100~256V AC | • Warranty : | 3 years |
| • Rated power : | 28/56W | • Working mode : | Independant/DMX/ Master/Slave Mode |
| • LED quantity : | 48pcs Power LED/1W (4 in 1 Chip) | • IP Grade : | IP65 |
| • Working temp.: | -20°C ~+40°C | • Environment : | Suitable for damp location |
| • Available length : | 17, 23, 33, 44, 49 inches | • Certifications : | cETLus, CE |
| • Rotary angle : | 140° | • Color Temperatures : | White or RGB |
| • Beam angle : | 15°/30°/45° | | Choices of white color range from 2000K to 7000K |
| • Materials of Shell : | Aluminium alloy 6063 | | |

MODEL CONFIGURATION TABLE

| Model No. | Size | LED color | Power consumption | *Beam Angle | Weight |
|---------------------|------------------|-----------|-------------------|-------------|-----------|
| LCWW5-28W17-XX-RGBW | L440xW130xH82mm | W/RGB | 28W | 15°/30°/45° | 2.3±5%kgs |
| LCWW5-28W23-XX-RGBW | L580xW130xH82mm | W/RGB | 28W | 15°/30°/45° | 3±5%kgs |
| LCWW5-56W33-XX-RGBW | L840xW130xH82mm | W/RGB | 56W | 15°/30°/45° | 4.2±5%kgs |
| LCWW5-56W44-XX-RGBW | L1120xW130xH82mm | W/RGB | 56W | 15°/30°/45° | 5.9±5%kgs |
| LCWW5-56W49-XX-RGBW | L1240xW130xH82mm | W/RGB | 56W | 15°/30°/45° | 6.1±5%kgs |

*The XX in the product code refers to the beam angle.

WORKING MODE

Independent Mode: Choose the build-in via the buttons on the end cover

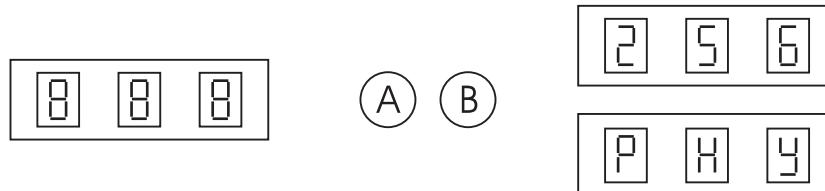
DMX Mode: International Standard DMX 512 signal (IP67 connector)

Master/Slave Mode: Auto online and synchronization working

FUNCTION & SETUP

- Independent mode:

After pressing **A** four times (the first three times is the setup on DMX address) or **B** directly, light enter into independent mode; the digital LEDs show **PXY**, press **A** once, active digital LEDs move backward, you can choose function via **X** and parameter via **Y**; Press **B**, the corresponding flash digital LED increases one bit (range:1~9).



X refers to functions (the value between 1 to b), **Y** refers to value of speed and gray degree for the functions (the value between 1 to 9). When pressing button, please wait for about 10 sec, then you can exit the mode of adjustment function, the digital LED stop flashing and data recorded.

- DMX mode:

- DMX Addressing

When the digital LED is not flashing,press A,digital LED begin to flash,press A once,active digital LEDs moves backward,you can start to edit the second digital LED;Press B, the corresponding flash digital LED increase one bit (the values between 1 to 9).

- DMX Channel instruction-3 Channels available as sheet:

| CHANNEL 1 | | CHANNEL 2 | | CHANNEL 3 | |
|-----------|-------------------|-----------|---------------------|-----------|--------------------|
| Data | Function | Data | Function | Data | Function |
| 0~255 | Brightness of Red | 0~255 | Brightness of Green | 0~255 | Brightness of Blue |

***Enter or quit DMX mode automatically once detecting valid signal!

- DMX Channel instructions-4 Channels available as sheet:

| CHANNEL 1 | | CHANNEL 2 | | CHANNEL 3 | | CHANNEL 4 | |
|-----------|-------------------|-----------|---------------------|-----------|--------------------|-----------|---------------------|
| Data | Function | Data | Function | Data | Function | Data | Function |
| 0~255 | Brightness of Red | 0~255 | Brightness of Green | 0~255 | Brightness of Blue | 0~255 | Brightness of White |

***Enter or quit DMX mode automatically once detecting valid signal!

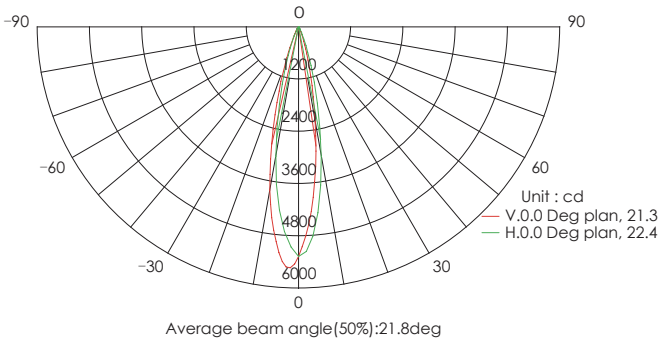
- Master/Slave Mode:

Choose any one light as the master for attaining auto online function,the operations are as below: firstly, set the address of master as 001, others are set as slave (address can be any one except 001); Change function of the master (001) light, then all lights will work synchronously;

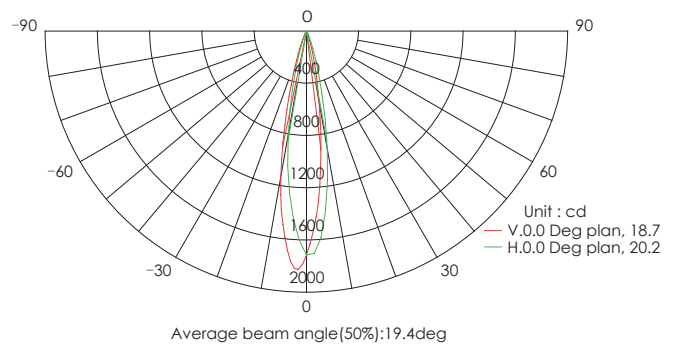
PHOTOMETRIC PARAMETERS

- Cadela distribution

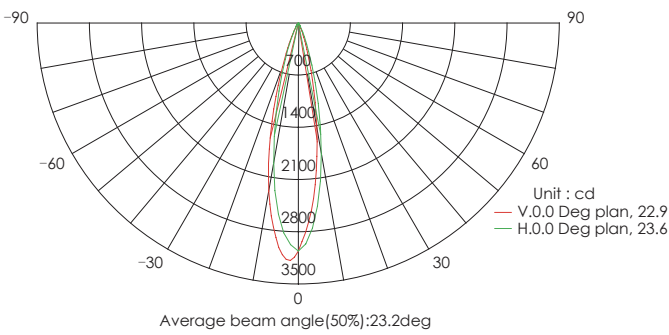
Beam angle: 20°



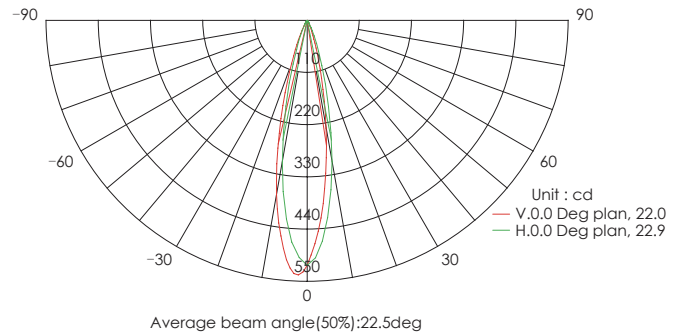
RGB



Red



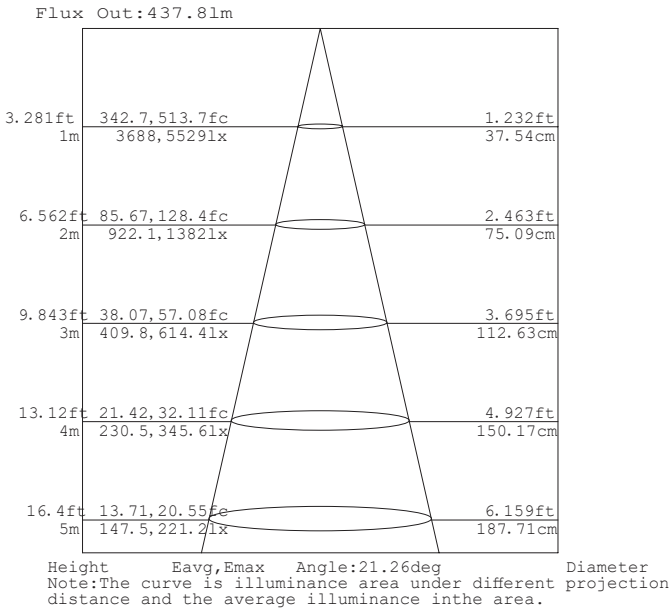
Green



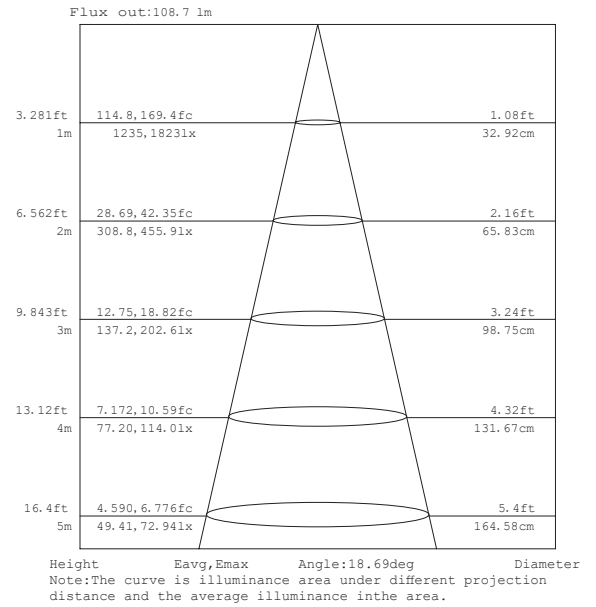
Blue

- Illuminance at a distance

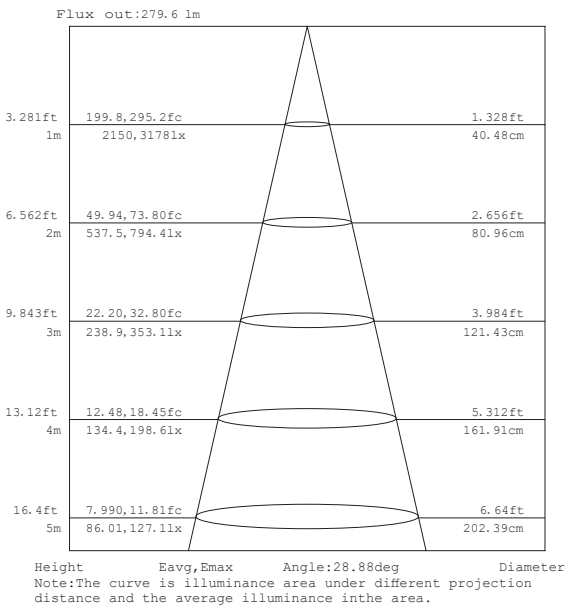
Beam angle: 20°



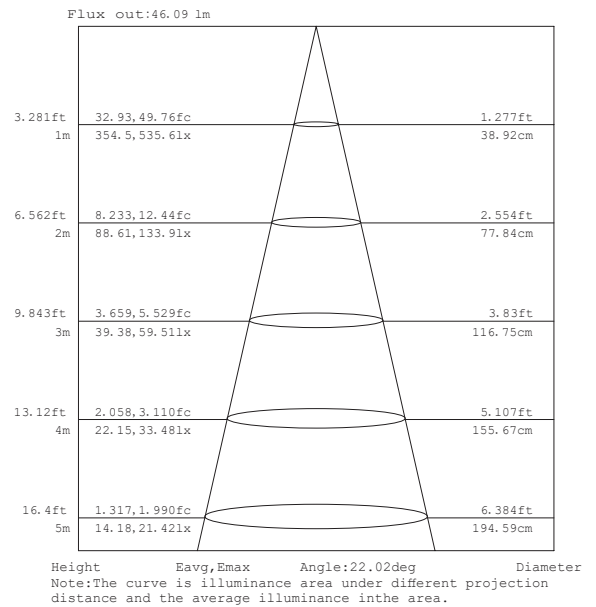
RGB



Red



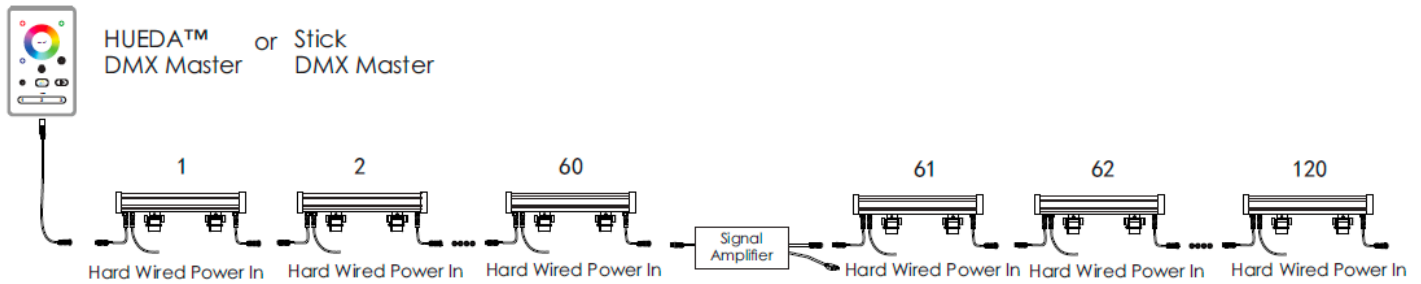
Green



Blue

CONNECTION

Signal max connection is 100m, every 100m or 60pcs fixtures needs a signal amplifier.



WATERPROOF TREATMENT

The signal output connector XLR-3 of the last fixture of each series must be sealed with a 20mm thermal shrinking stube(-1), blow and shrink it with a heat gun;

Caution.

1. Do not connect to power while the product remains in its packaging.
2. Avoid covering the fixture while in use.
3. Do not use this product in confined spaces.
4. If the product seems damaged, refrain from using it.

Warning!

- ! Failure to follow the above precautions will compromise the waterproofing and proper functioning of the lights.
- ! Ensure proper ground connections to prevent electric shock, especially with the metal housing.

The instructions provided are subject to updates or improvements without prior notice.
Please consult our staff for more details.