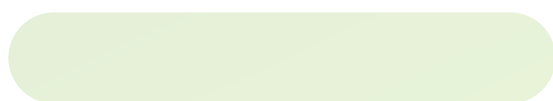
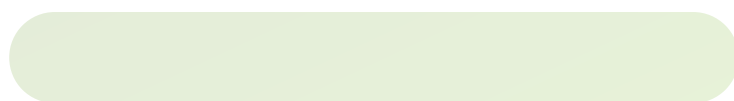
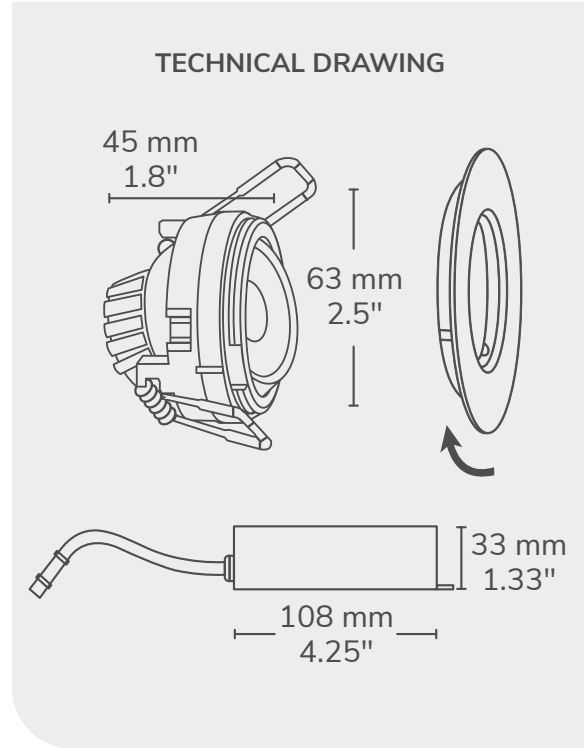
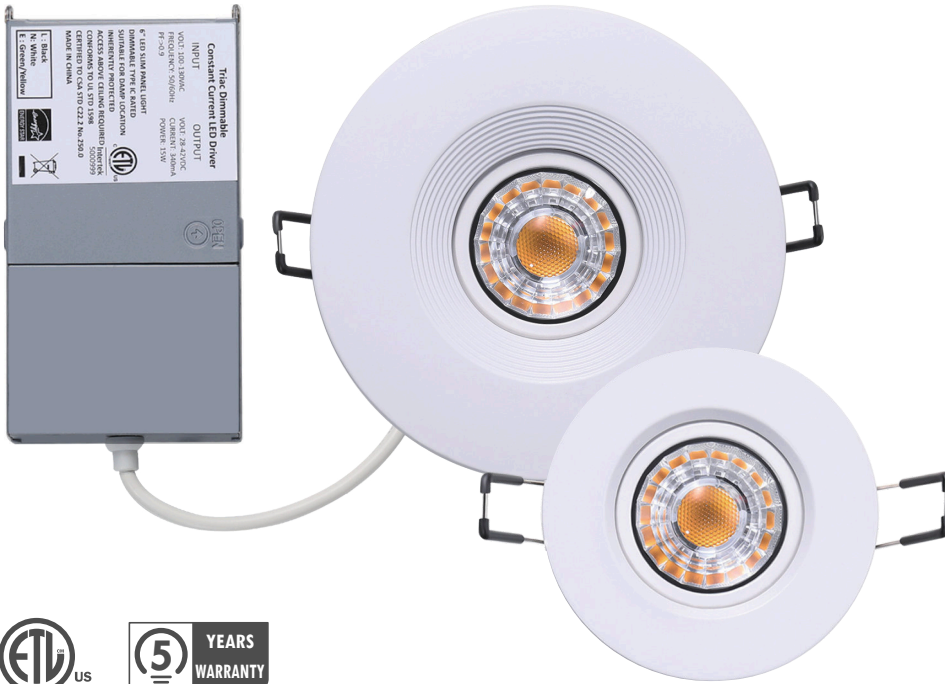


The logo for LED CO features the word "LED" in a bold, green, sans-serif font. To its right, the word "CO" is rendered in a black, sans-serif font, with the letter "O" stylized as a lightbulb shape. A registered trademark symbol (®) is positioned to the upper right of the "O".

LED CO[®]

LED RECESSED LIGHTING





TECHNICAL SPECIFICATIONS

- Lumens : 784lm
- Color Temperature : 2700K / 3000K / 3500K / 4000K / 5000K Tunable
- Beam Angle : 40°
- CRI : >80
- Input Voltage : 110 - 130VAC
- Power : 8W
- Power Factor : >0.94
- Trim size : 3 & 4 inches interchangeable
- Trim color : White / Brushed Nickel / Black
- Dimming : Triac base dimmable
- IC Rated : Type IC Rated
- Location Approved : Damp Location
- Certification : cETLus
- Lifespan : 39,000hrs
- Warranty : 5 years
- 3" Cut out Size : 2.56" - 2.95" - (65 - 75mm)
- 4" Cut out Size : 3" - 4.25" - (78 - 108mm)



TRIM OPTIONS

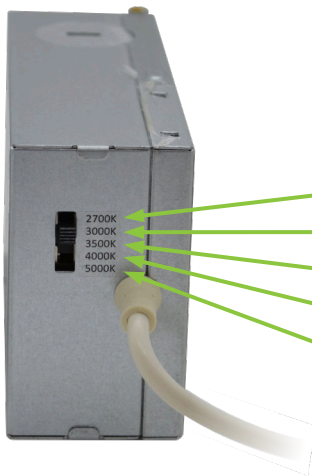
Available trim options :

- White
- Black
- Brushed Aluminum

PRODUCT NUMBERS

White	3": LCDL-DLX3-CCT-8W-WH
	4": LCDL-DLX4-CCT-8W-WH
Black	3": LCDL-DLX3-CCT-8W-BK
	4": LCDL-DLX4-CCT-8W-BK
Brushed Aluminum	3": LCDL-DLX3-CCT-8W-BN
	4": LCDL-DLX4-CCT-8W-BN

COLOR TEMPERATURE SETTINGS



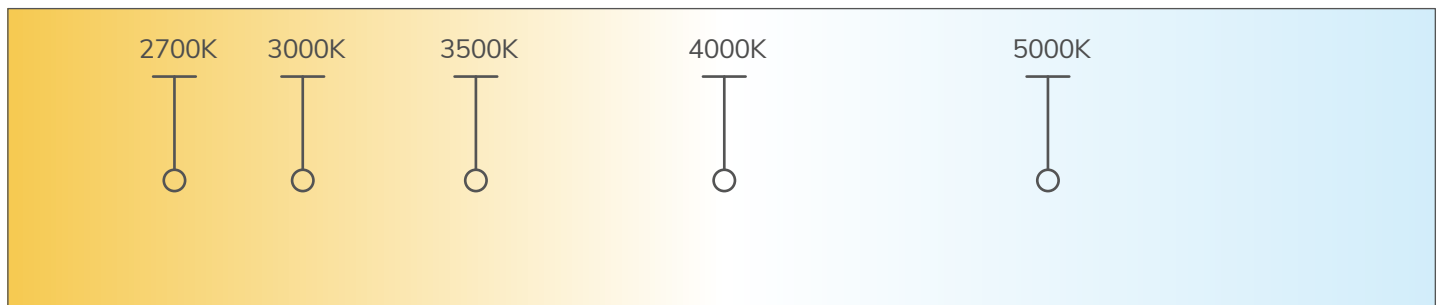
CCT is controlled by the toggle switch on junction box

- Toggle it to the upper position, the Light is set at 2700K
- Toggle it to the second position, the Light is set at 3000K
- Toggle it to the middle position, the Light is set at 3500K
- Toggle it to the fourth position, the Light is set at 4000K
- Toggle it to the lower position, the Light is set at 5000K

5 COLORS TEMPERATURE SETTINGS

WARM

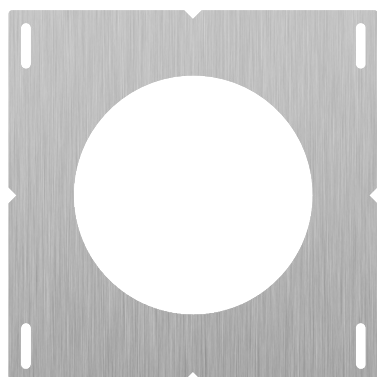
COLD



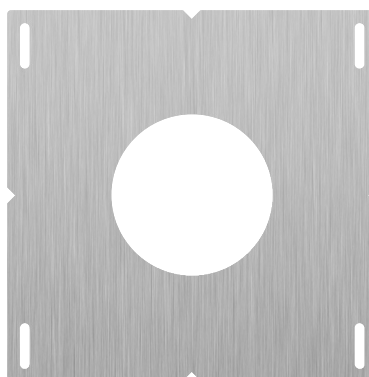
COMPATIBLE DIMMERS

BRAND	MODEL	DIMMING FUNCTION
Lutron	S-603P	DIMMABLE
Leviton	6633-P	DIMMABLE
Leviton	1C33L1	DIMMABLE
Lutron	CTCL-153P	DIMMABLE
Lutron	TG600P	DIMMABLE
Lutron	DV600P	DIMMABLE
Lutron	LG600P	DIMMABLE
Lutron	SCL-153P	DIMMABLE
Lutron	MAW-600	DIMMABLE
Lutron	MS-VP600G	N/A
Lutron	LGCL-153P	DIMMABLE
Lutron	7SCL-153P	DIMMABLE
Lutron	600PH	DIMMABLE
Lutron	DV-600P	DIMMABLE
Lutron	6838	DIMMABLE
Lutron	CTELV-303P	DIMMABLE
Lutron	CTCL-153PD	DIMMABLE
Leviton	6674	DIMMABLE

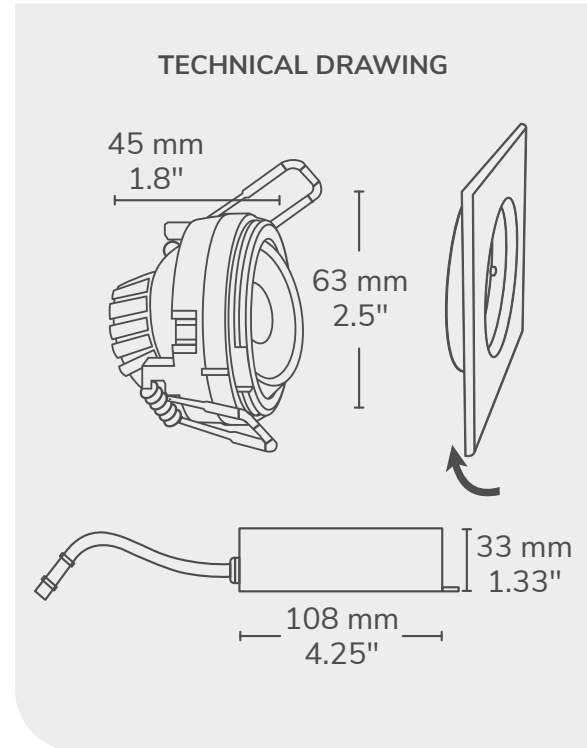
MOUNTING PLATES



4 inch plate (LCPLATE-4)

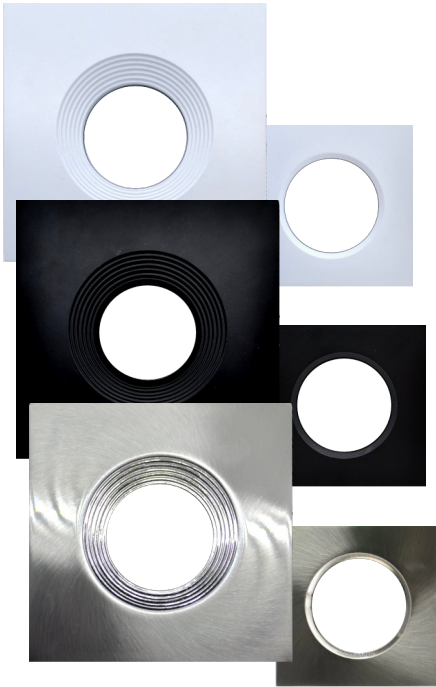


3 inch plate (LCPLATE-3)



TECHNICAL SPECIFICATIONS

- Lumens : 784lm
- Color Temperature : 2700K / 3000K / 3500K / 4000K / 5000K Tunable
- Beam Angle : 40°
- CRI : >80
- Input Voltage : 110 - 130VAC
- Power : 8W
- Power Factor : >0.94
- Trim size : 3 & 4 inches interchangeable
- Trim color : White / Brushed Nickel / Black
- Dimming : Triac base dimmable
- IC Rated : Type IC Rated
- Location Approved : Damp Location
- Certification : cETLus
- Lifespan : 39,000hrs
- Warranty : 5 years
- 3" Cut out Size : 2.56" - 2.95" - (65 - 75mm)
- 4" Cut out Size : 3" - 4.25" - (78 - 108mm)



TRIM OPTIONS

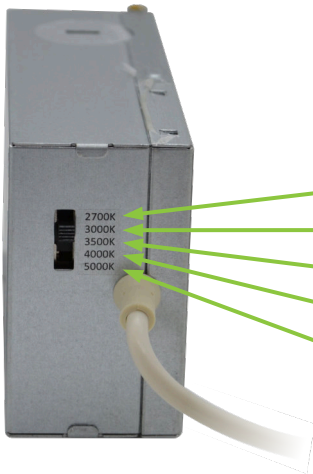
Available trim options :

- White
- Black
- Brushed Aluminum

PRODUCT NUMBERS

White	3": LCDL-DLX3S-CCT-8W-WH
	4": LCDL-DLX4S-CCT-8W-WH
Black	3": LCDL-DLX3S-CCT-8W-BK
	4": LCDL-DLX4S-CCT-8W-BK
Brushed Aluminum	3": LCDL-DLX3S-CCT-8W-BN
	4": LCDL-DLX4S-CCT-8W-BN

COLOR TEMPERATURE SETTINGS



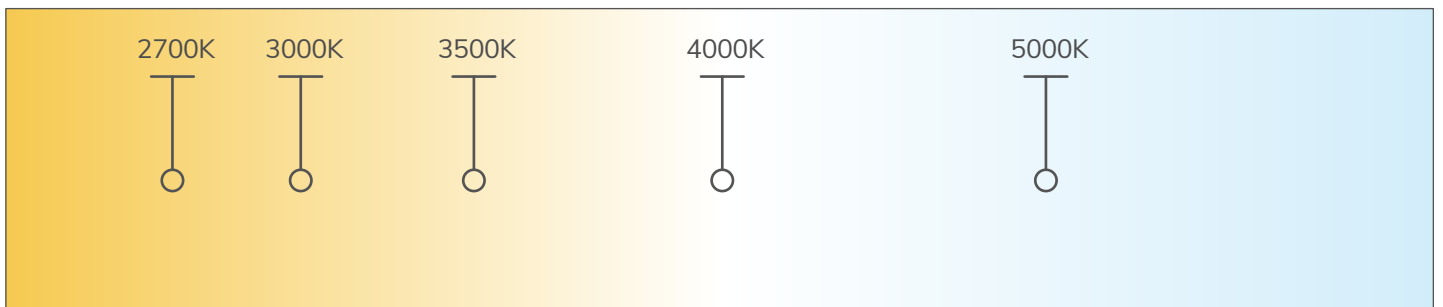
CCT is controlled by the toggle switch on junction box

- Toggle it to the upper position, the Light is set at 2700K
- Toggle it to the second position, the Light is set at 3000K
- Toggle it to the middle position, the Light is set at 3500K
- Toggle it to the fourth position, the Light is set at 4000K
- Toggle it to the lower position, the Light is set at 5000K

5 COLORS TEMPERATURE SETTINGS

WARM

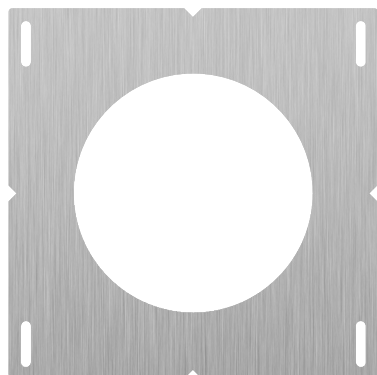
COLD



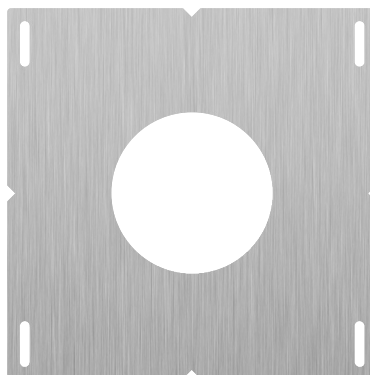
COMPATIBLE DIMMERS

BRAND	MODEL	DIMMING FUNCTION
Lutron	S-603P	DIMMABLE
Leviton	6633-P	DIMMABLE
Leviton	1C33L1	DIMMABLE
Lutron	CTCL-153P	DIMMABLE
Lutron	TG600P	DIMMABLE
Lutron	DV600P	DIMMABLE
Lutron	LG600P	DIMMABLE
Lutron	SCL-153P	DIMMABLE
Lutron	MAW-600	DIMMABLE
Lutron	MS-VP600G	N/A
Lutron	LGCL-153P	DIMMABLE
Lutron	7SCL-153P	DIMMABLE
Lutron	600PH	DIMMABLE
Lutron	DV-600P	DIMMABLE
Lutron	6838	DIMMABLE
Lutron	CTELV-303P	DIMMABLE
Lutron	CTCL-153PD	DIMMABLE
Leviton	6674	DIMMABLE

MOUNTING PLATES



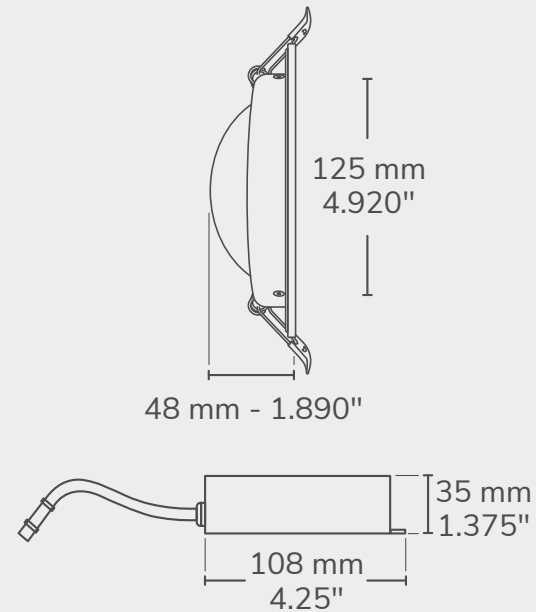
4 inch plate (LCPLATE-4)



3 inch plate (LCPLATE-3)



TECHNICAL DRAWING



TECHNICAL SPECIFICATIONS

- Color Temp. : 2700K / 3000K / 3500K / 4000K / 5000K Tunable
- Lumens : 680 / 700 / 750 / 760 / 740 LM
- Beam Angle : 40°
- CRI : >80
- Input Voltage : 110-130VAC
- Power : 9W
- Power Factor : >0.94
- Trim color : White / Black
- Dimming : Triac base dimmable
- Location Approved : Damp Location
- Certification : cETLus
- Lifespan : 50,000hrs
- Warranty : 3 years
- Panel Diameter : 4.92" - (125mm)
- Panel Depth : 1.89" - (48mm)
- Junction Box Length: 4.25" - (108mm)
- Junction Box Width : 2.4" - (60mm)
- Junction Box Height : 1.375" - (35mm)

TRIM OPTIONS

Available trim options :

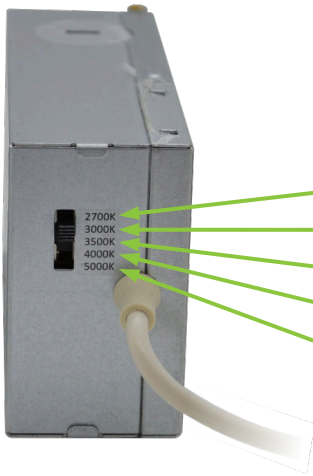


- White
- Black

PRODUCT NUMBERS

- White : LCDL-DLS4-5CCT-9W-WH
- Black : LCDL-DLS4-5CCT-9W-BK

COLOR TEMPERATURE SETTINGS



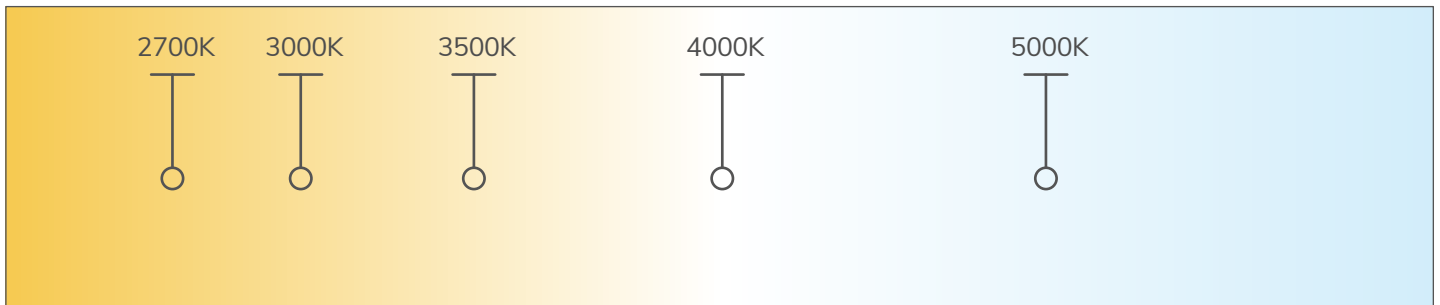
CCT is controlled by the toggle switch on junction box

- Toggle it to the upper position, the Light is set at 2700K
- Toggle it to the second position, the Light is set at 3000K
- Toggle it to the middle position, the Light is set at 3500K
- Toggle it to the fourth position, the Light is set at 4000K
- Toggle it to the lower position, the Light is set at 5000K

5 COLORS TEMPERATURE SETTINGS

WARM

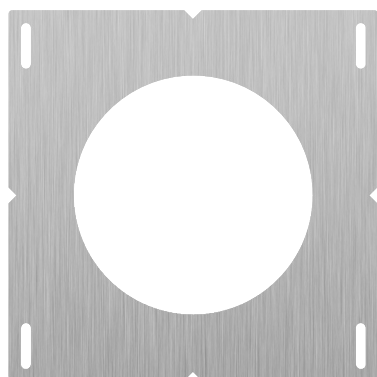
COLD



COMPATIBLE DIMMERS

BRAND	MODEL	DIMMING FUNCTION
Lutron	S-603P	DIMMABLE
Leviton	6633-P	DIMMABLE
Leviton	1C33L1	DIMMABLE
Lutron	CTCL-153P	DIMMABLE
Lutron	TG600P	DIMMABLE
Lutron	DV600P	DIMMABLE
Lutron	LG600P	DIMMABLE
Lutron	SCL-153P	DIMMABLE
Lutron	MAW-600	DIMMABLE
Lutron	MS-VP600G	N/A
Lutron	LGCL-153P	DIMMABLE
Lutron	7SCL-153P	DIMMABLE
Lutron	600PH	DIMMABLE
Lutron	DV-600P	DIMMABLE
Lutron	6838	DIMMABLE
Lutron	CTELV-303P	DIMMABLE
Lutron	CTCL-153PD	DIMMABLE
Leviton	6674	DIMMABLE

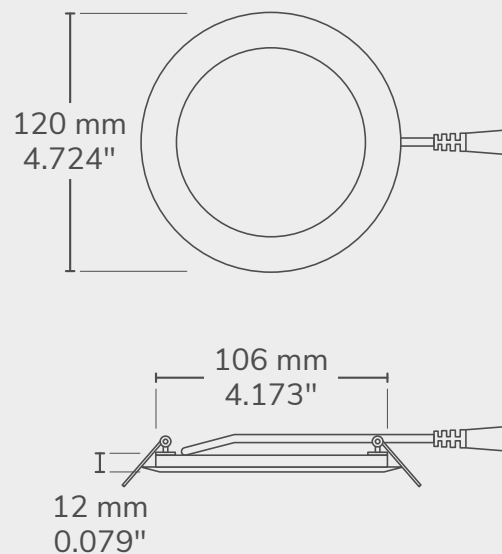
MOUNTING PLATES



4 inch plate (LCPLATE-414)



TECHNICAL DRAWING



TECHNICAL SPECIFICATIONS

- Color Temp. : 3000K / 5000K Tunable
- Lumens : 600±50LM
- Beam Angle : 120°
- CRI : >80
- Input Voltage : 12/24V
- Power : 8W
- Power Factor : >0.94
- Trim color : White
- Dimming : PWM
- Location Approved : Damp Location
- Certification : cETLus
- Lifespan : 25,000hrs
- Warranty : 3 years
- Panel Diameter : 4.72" - (120mm)
- Panel Depth : 0.47" - (12mm)



TRIM OPTIONS

Available trim options :

← White

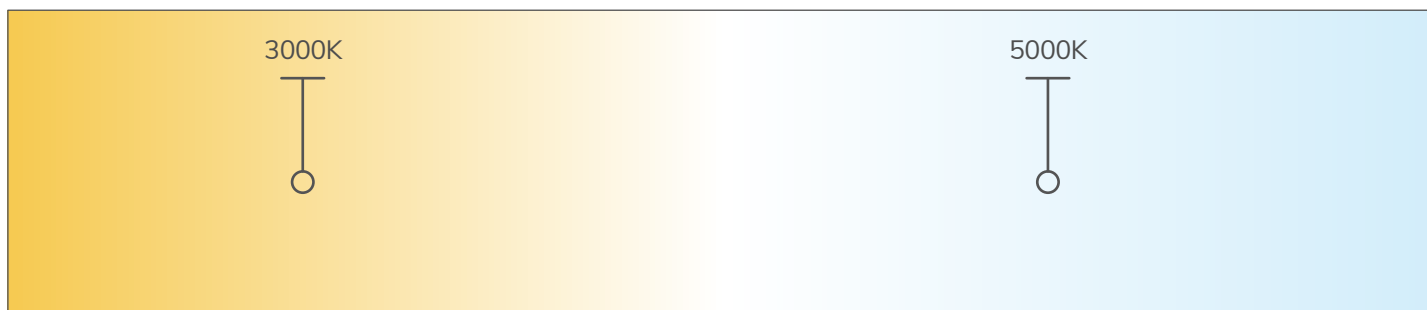
PRODUCT NUMBERS

White : LCDL-DLF4-12/24V-2CCT-WH

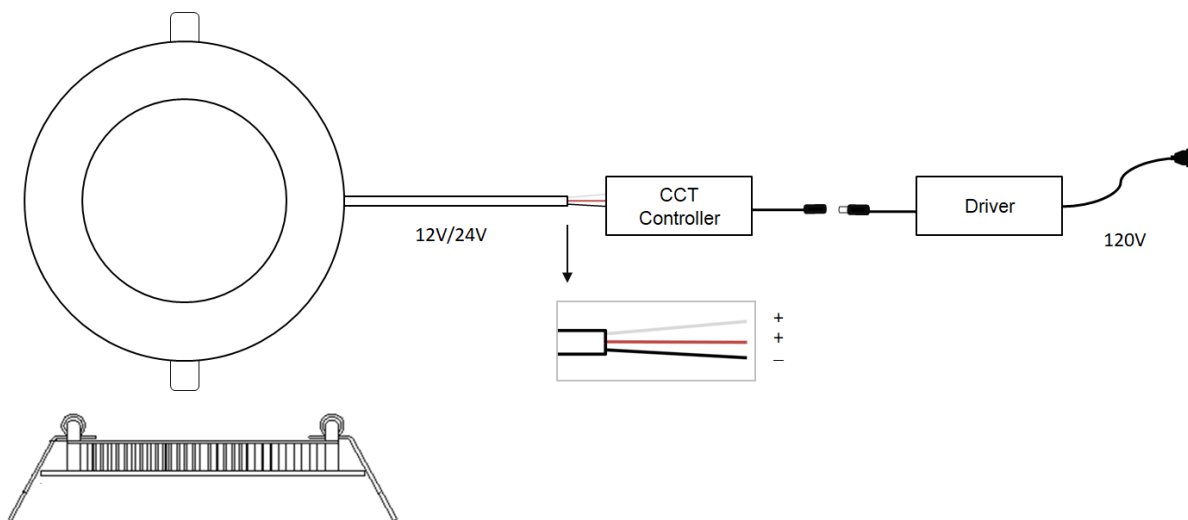
2 COLORS TEMPERATURE SETTINGS

WARM

COLD

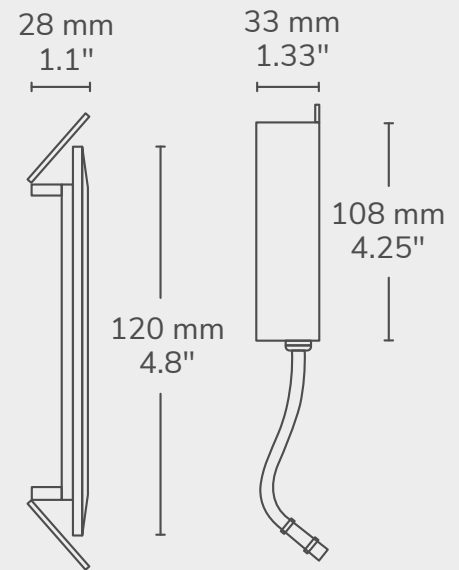


DRIVER CONNECTION





TECHNICAL DRAWING



TECHNICAL SPECIFICATIONS

- Lumens : 704lm
- Color Temperature : 2700K / 3000K / 3500K / 4000K / 5000K Tunable
- Beam Angle : 110°
- CRI : >80
- Input Voltage : 110 - 130VAC
- Power : 9W
- Power Factor : >0.94
- Trim color : White / Brushed Nickel / Black
- Dimming : Triac base dimmable
- IC Rated : Type IC Rated
- Location Approved : Damp Location
- Certification : cETLus Energy Star
- Lifespan : 50,000hrs
- Warranty : 3 years
- Panel Diameter : 4.8" - (120mm)
- Panel Height : 0.5" - (13mm)
- Cut out Size : 4" - 4.25" - (100 - 108mm)



TRIM OPTIONS

All flat slimco are white but two clip-on trim options are available :

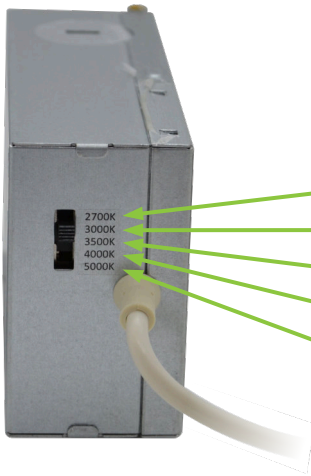
← ○ Brushed Aluminum

← ○ Black

PRODUCT NUMBERS

White : LCDL-DLF4-5CCT-WH
Brushed Aluminum : LCDL-DLF4-5CCT-BS
Black : LCDL-DLF4-5CCT-BK

COLOR TEMPERATURE SETTINGS



CCT is controlled by the toggle switch on junction box

○ Toggle it to the upper position, the Light is set at 2700K

○ Toggle it to the second position, the Light is set at 3000K

○ Toggle it to the middle position, the Light is set at 3500K

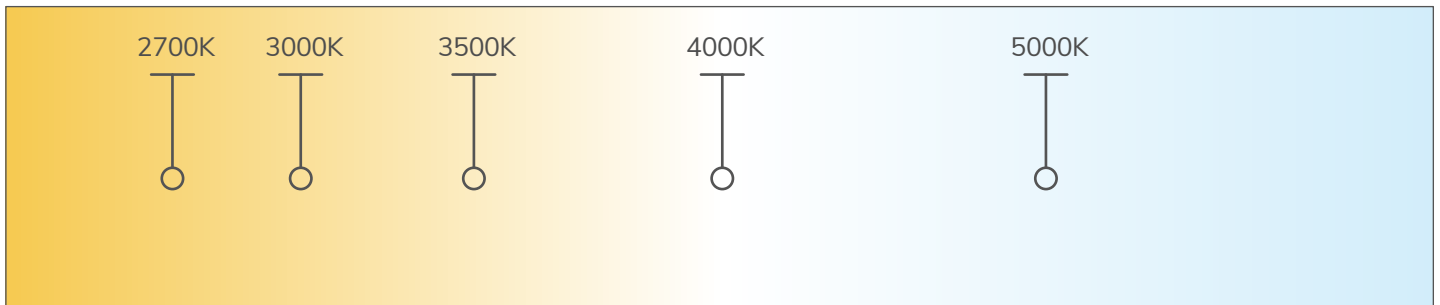
○ Toggle it to the fourth position, the Light is set at 4000K

○ Toggle it to the lower position, the Light is set at 5000K

5 COLORS TEMPERATURE SETTINGS

WARM

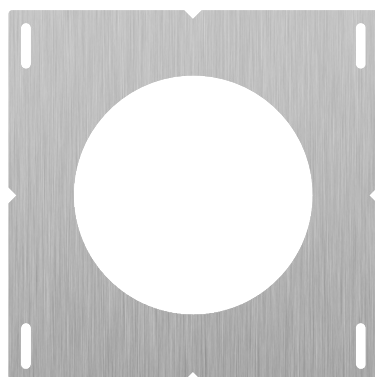
COLD



COMPATIBLE DIMMERS

BRAND	MODEL	DIMMING FUNCTION
Lutron	S-603P	DIMMABLE
Leviton	6633-P	DIMMABLE
Leviton	1C33L1	DIMMABLE
Lutron	CTCL-153P	DIMMABLE
Lutron	TG600P	DIMMABLE
Lutron	DV600P	DIMMABLE
Lutron	LG600P	DIMMABLE
Lutron	SCL-153P	DIMMABLE
Lutron	MAW-600	DIMMABLE
Lutron	MS-VP600G	N/A
Lutron	LGCL-153P	DIMMABLE
Lutron	7SCL-153P	DIMMABLE
Lutron	600PH	DIMMABLE
Lutron	DV-600P	DIMMABLE
Lutron	6838	DIMMABLE
Lutron	CTELV-303P	DIMMABLE
Lutron	CTCL-153PD	DIMMABLE
Leviton	6674	DIMMABLE

MOUNTING PLATES



4 inch plate (LCPLATE-4)



LCDL-DISKCB5W

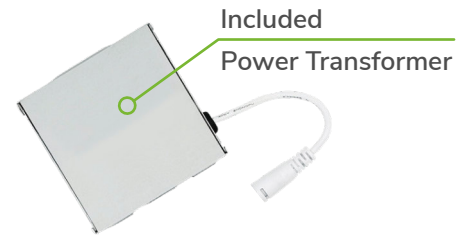


LCDL-DISKCB10W



FEATURES

- Complete integrated LED recessed fixture.
- Insulated ceiling rated for direct contact with insulation.
- For all interior applications.
- Suitable for damp locations.
- Dimmable (compatible with most dimmers).



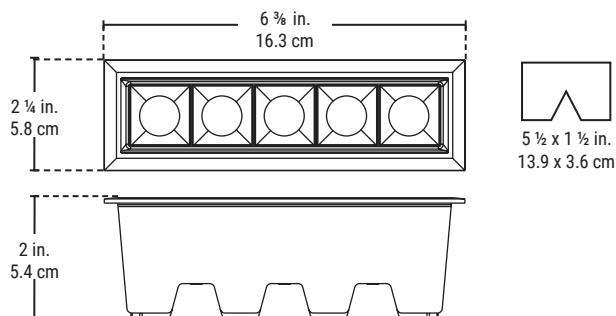
TECHNICAL SPECIFICATIONS

	LCDL-DISKCB5W	LCDL-DISKCB10W
• Power	10W ~ 120V AC	18W ~ 120V AC
• Brightness	650 Lumens	1150 Lumens
• Color temperature	3000K	3000K
• Lifespan	35 000 Hours	35 000 Hours
• Trim color	White	White
• Length	6 3/8 in. (16.3 cm)	11 5/8 in. (29.6 cm)
• Width	2 1/4 in. (5.8 cm)	2 1/4 in. (5.8 cm)
• Height	2 in. (5.4 cm)	2 in. (5.4 cm)

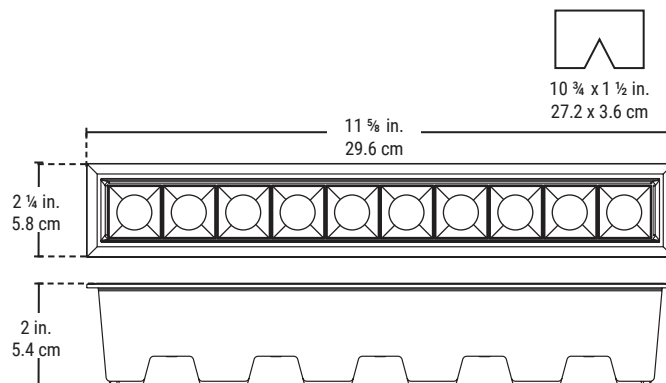
LCDL-DISKCB5W



TECHNICAL DRAWING

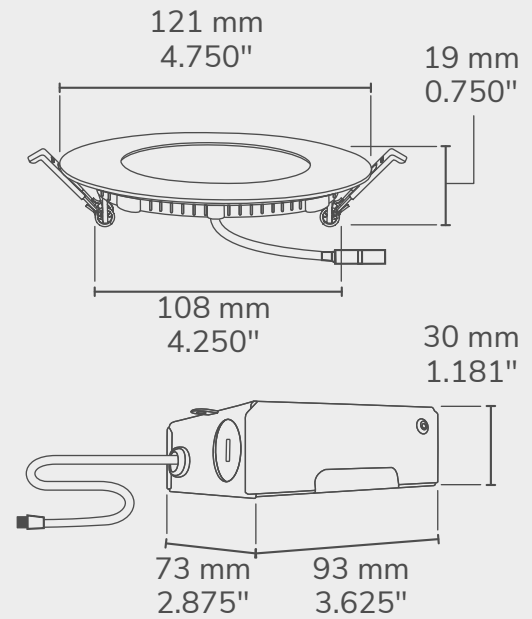


LCDL-DISKCB10W





TECHNICAL DRAWING



DESCRIPTION

Transform your home into a smart one with the 4" LED RGB recessed light fixture. The lighting fixture **uses your existing WiFi network**, with no hub or bridge required. Simply install the lighting, download the BAZZ Smart Home app (iOS and Android), and enjoy complete control!

Control the lighting through your smartphone, or connect with Amazon Alexa or Google Assistant to use voice commands. Turn lights on and off, adjust brightness, choose from millions of different colours, and create dynamic light routines. Anytime, anywhere.

TECHNICAL SPECIFICATIONS

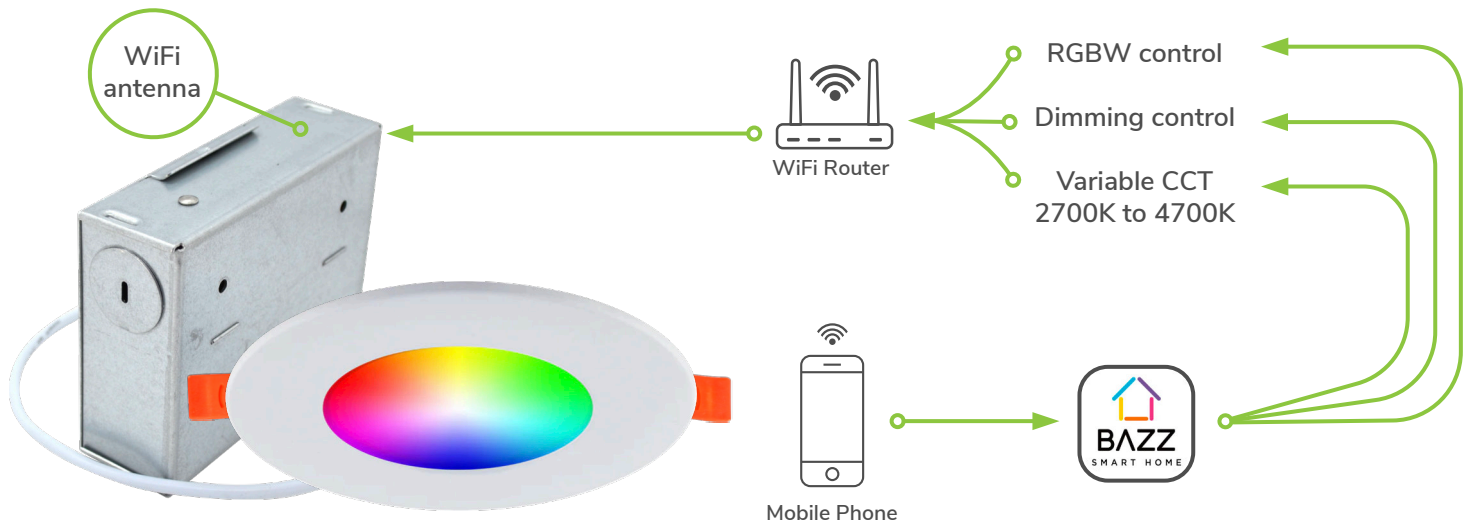
- | | | | |
|-------------------|----------------------------|----------------------------|------------------------|
| • Voltage | : 120V | • Lifespan | : 25,000hrs |
| • Lumens | : 600 LM | • Environnement | : Indoor & outdoor use |
| • Color Type | : RGBW | • Smart phone compatible | : Yes |
| • CCT color Temp. | : Variable, 2700K to 4700K | • Alexa & Google assistant | : Yes |
| • Trim color | : White | • Warranty | : 3 years |
| • Dimmable | : Yes | • FCC & ETL compliant | : Yes |

PRODUCT NUMBERS

White : LCDL-WFDISK400W

RGBW COLORS AND CCT COLOR TEMPERATURE SETTINGS

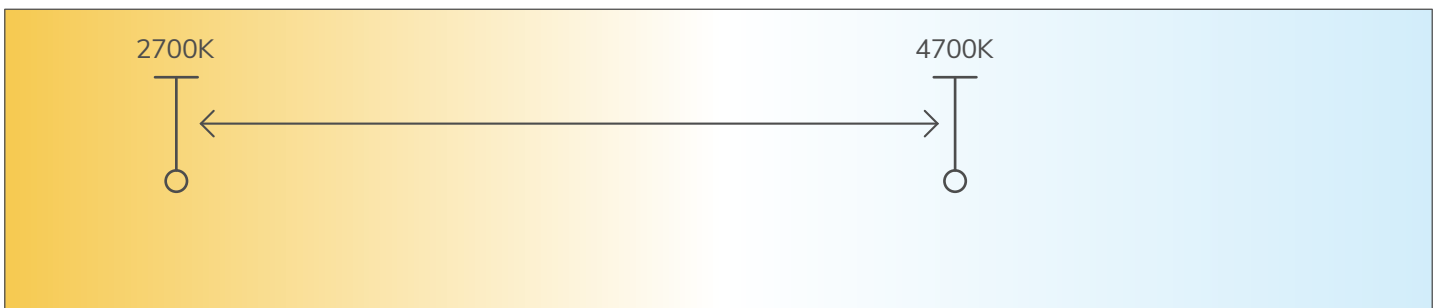
- 2.4Ghz WiFi router required.
- BAZZ App required.



VARIABLE CCT TEMPERATURE SETTINGS

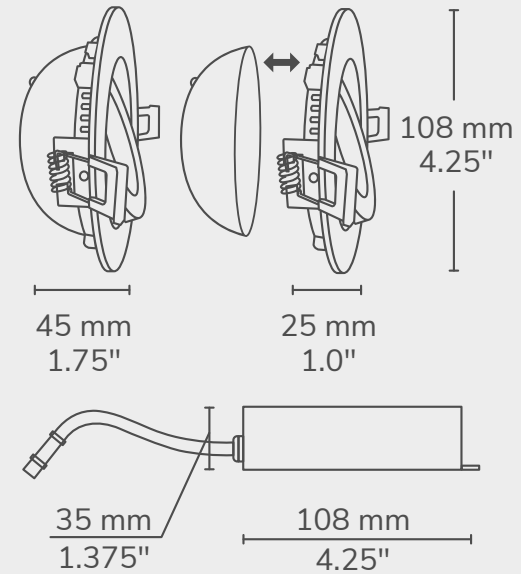
WARM

COLD





TECHNICAL DRAWING



TECHNICAL SPECIFICATIONS

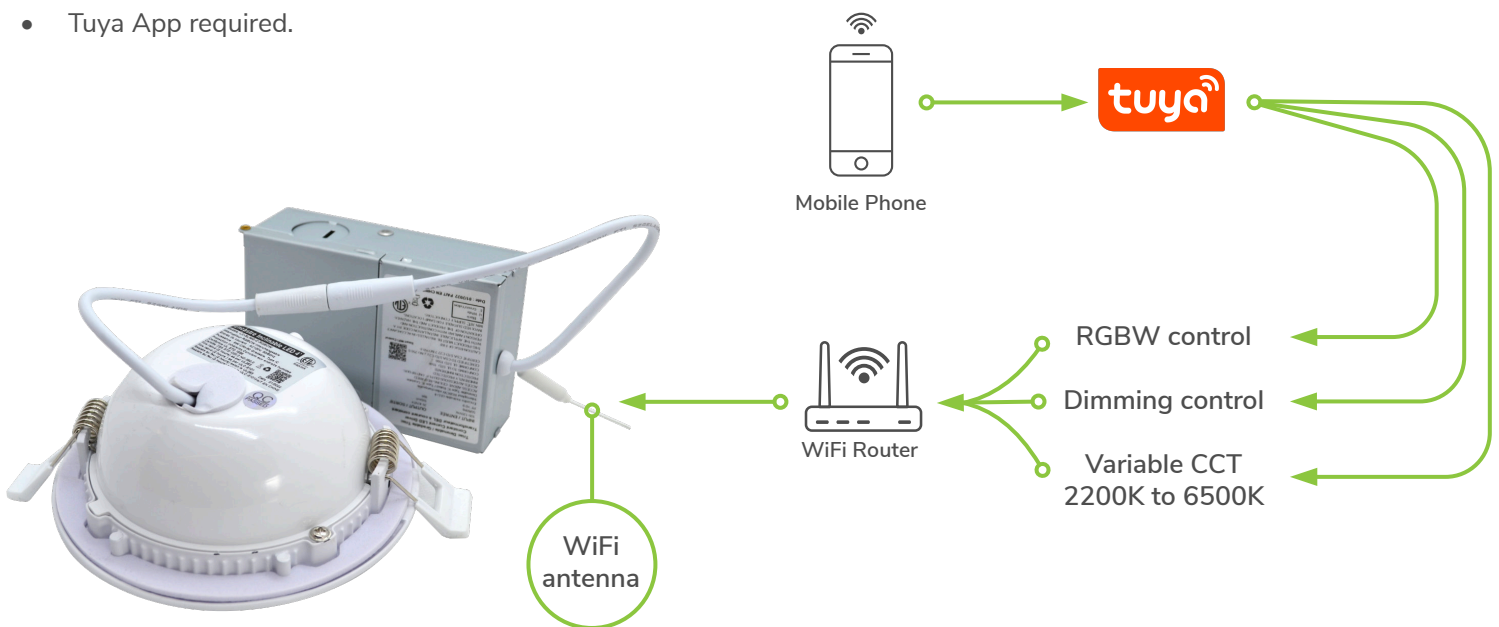
- | | | | |
|-------------------|----------------------------|-----------------------|-------------------|
| • Lumens | : 792 LM | • IC Rated | : Type IC Rated |
| • Color Type | : RGBW | • Location Approved | : Damp Location |
| • CCT color Temp. | : Variable, 2200K to 6500K | • Certification | : cETLus |
| • Beam Angle | : 40° | • Lifespan | : 50,000hrs |
| • CRI | : >80 | • Warranty | : 3 years |
| • Input Voltage | : 120VAC | • Panel Diameter | : 4.25" - (108mm) |
| • Power | : 9W | • Panel Depth | : 1.75" - (45mm) |
| • Power Factor | : >0.9 | • Junction Box Length | : 4.25" - (108mm) |
| • Trim color | : White | • Junction Box Width | : 2.4" - (60mm) |
| • Dimming | : Dimmable by Tuya App. | • Junction Box Height | : 1.375" - (35mm) |

PRODUCT NUMBERS

White : LCDL-DLG4-RGBW-9W-WH

RGBW COLORS AND CCT COLOR TEMPERATURE SETTINGS

- 2.4Ghz WiFi router required.
- Tuya App required.



VARIABLE CCT TEMPERATURE SETTINGS

WARM

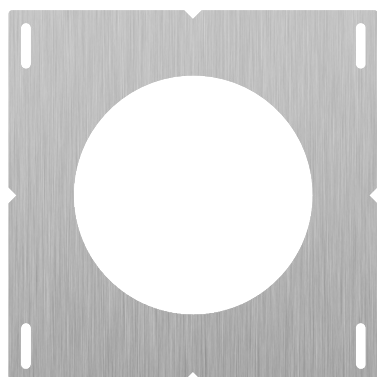
COLD



COMPATIBLE DIMMERS

BRAND	MODEL	DIMMING FUNCTION
Lutron	S-603P	DIMMABLE
Leviton	6633-P	DIMMABLE
Leviton	1C33L1	DIMMABLE
Lutron	CTCL-153P	DIMMABLE
Lutron	TG600P	DIMMABLE
Lutron	DV600P	DIMMABLE
Lutron	LG600P	DIMMABLE
Lutron	SCL-153P	DIMMABLE
Lutron	MAW-600	DIMMABLE
Lutron	MS-VP600G	N/A
Lutron	LGCL-153P	DIMMABLE
Lutron	7SCL-153P	DIMMABLE
Lutron	600PH	DIMMABLE
Lutron	DV-600P	DIMMABLE
Lutron	6838	DIMMABLE
Lutron	CTELV-303P	DIMMABLE
Lutron	CTCL-153PD	DIMMABLE
Leviton	6674	DIMMABLE

MOUNTING PLATES



4 inch plate (LCPLATE-4)