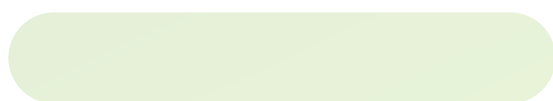
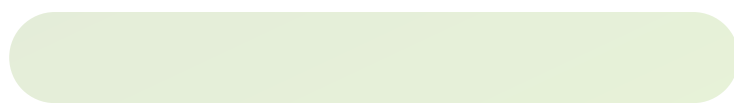
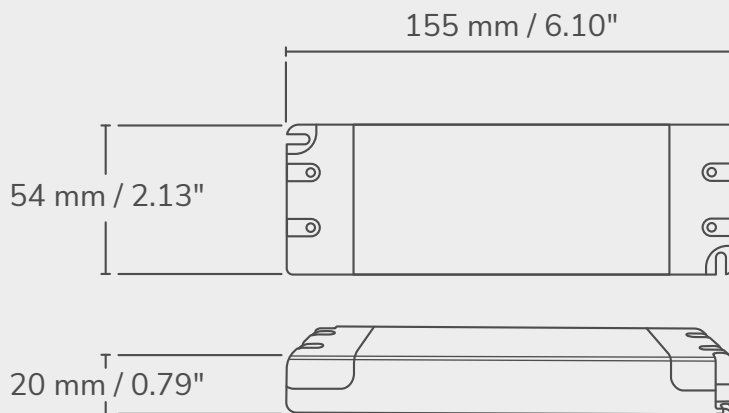


The logo for LED CO features the word "LED" in a bold, green, sans-serif font, followed by "CO" in a black, sans-serif font. The letter "O" is stylized to resemble a lightbulb with a base. A registered trademark symbol (®) is positioned to the upper right of the "O".

LED CO[®]

TRANSFORMERS





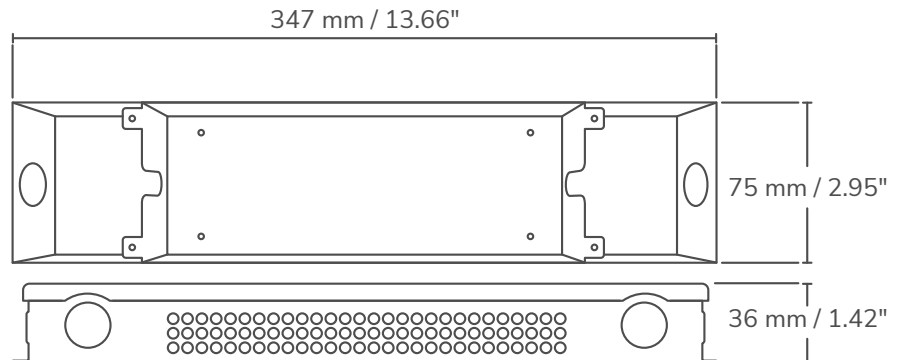
FEATURES

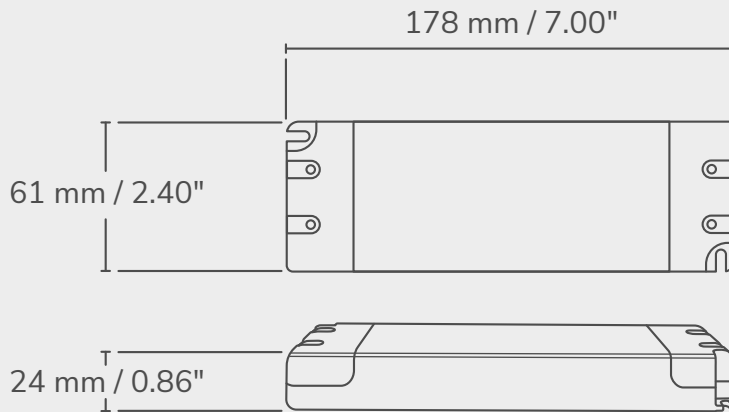
- Available in 12V and 24V
- Output constant voltage
- Universal AC input: 100-130VAC/170-265VAC
- Class 2 LED driver
- Power Factor > 0.70
- High efficiency > 84%
- Protection: short circuit/over loading/over current/ Over temperature
- Full protection plastic housing
- Cooling by free air convection
- Compatible with Forward phase,Magnetic low voltage, triac Dimmers
- Strong compatibility, flicker-free dimming, PWM output
- Suitable for LED lighting and moving sign applications and others
- Compliance to worldwide safety regulations for lighting
- Easy installation

TECHNICAL SPECIFICATIONS

Model		LCPSL CODIM-12V-24W	LCPSL CODIM-24V-24W
Output	DC Voltage	12V	24V
	Voltage Tolerance	±0.5V	
	Rated current	2A	1A
	Rated power	24W	
Input	Voltage Range	100~130VAC / 170~265VAC	
	Frequency Range	47~63HZ	
	Power Factor (Typ.)	PF≥0.70	
	Efficiency (Typ.)	>84%	>84%
	AC Current (Typ.)	0.34A@120VAC	0.18A@220VAC
	Leakage current	< 0.70mA/110VAC / < 0.5mA/220VAC	
Protection	Short Circuit	Hiccup mode, recovers automatically after fault condition is removed	
	Over Current	≤1.4*I out	
	Over Loading	≤120%	
	Over temperature	100°C±10°C (The output voltage will turn off when the temperature is higher than 100°C±10°C, after the temperature drop off, it will recovery)	
Environment	Working TEMP.	-40~+60°C	
	Working Humidity	20~90%RH, non-condensing	
	Storage TEMP. Humidity	-40~+80°C, 10~95%RH	
	TEMP .coefficient	±0.03%/°C (0~50°C)	
	Vibration	10~500Hz, 2G 10min./1 cycle, period for 60min. each along X,Y,Z axes	
Safety& EMC	Safety standards	UL8750+UL1310	
	Withstand voltage	I/P-O/P:1500KVAC	
	Isolation resistance	I/P-O/P: 100MΩ/500VDC/25°C/70%RH	
	EMC Emission	FCC Part 15 B	
Others	Net. Weight	0.50Kg	
	Size	155*54*20mm (L*W*H)	
	Packing	350*195*180mm 30PCS/CTN	

Junction box sold separately





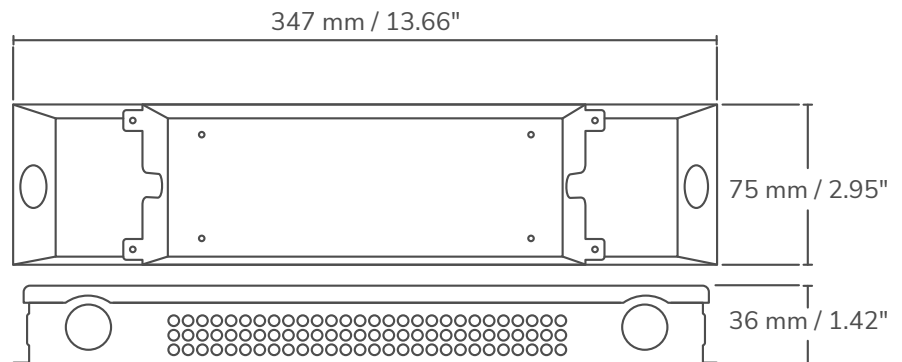
FEATURES

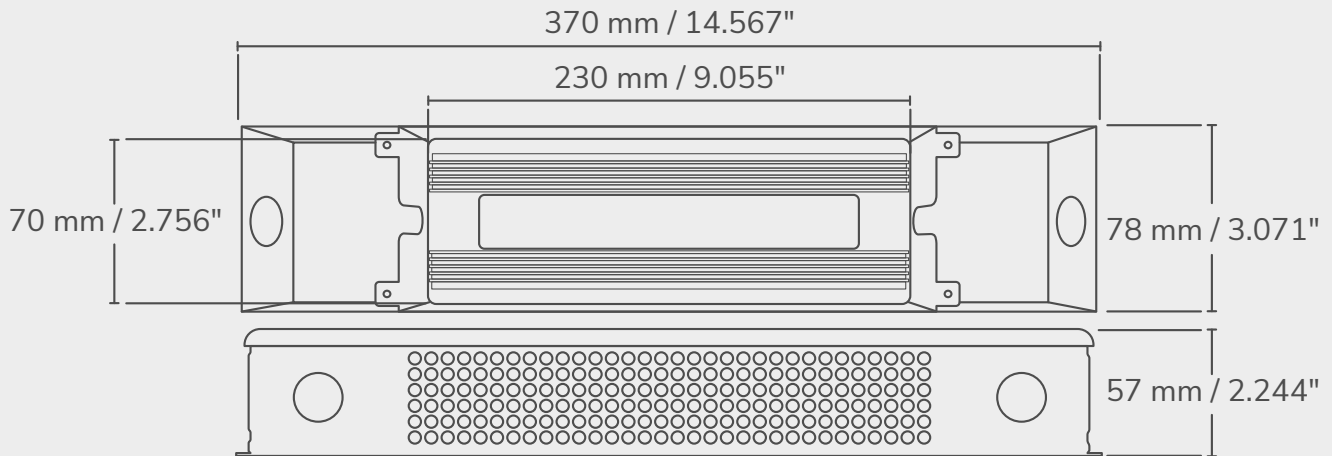
- Available in 12V and 24V
- Output constant voltage
- Universal AC input: 100-130VAC/170-265VAC
- Class 2 LED driver
- Power Factor > 0.70
- High efficiency > 84%
- Protection: short circuit/over loading/over current/ Over temperature
- Full protection plastic housing
- Cooling by free air convection
- Compatible with Forward phase,Magnetic low voltage, triac Dimmers
- Strong compatibility, flicker-free dimming, PWM output
- Suitable for LED lighting and moving sign applications and others
- Compliance to worldwide safety regulations for lighting
- Easy installation

TECHNICAL SPECIFICATIONS

Model		LCPSL CODIM-12V-48W	LCPSL CODIM-24V-48W
Output	DC Voltage	12V	24V
	Voltage Tolerance	±0.5V	
	Rated current	4A	2A
	Rated power	48W	
Input	Voltage Range	100~130VAC / 170~265VAC	
	Frequency Range	47~63HZ	
	Power Factor (Typ.)	PF≥0.70	
	Efficiency (Typ.)	>84%	>84%
	AC Current (Typ.)	0.34A@120VAC	0.18A@220VAC
	Leakage current	< 0.70mA/110VAC / < 0.5mA/220VAC	
Protection	Short Circuit	Hiccup mode, recovers automatically after fault condition is removed	
	Over Current	≤1.4*I out	
	Over Loading	≤120%	
	Over temperature	100°C±10°C (The output voltage will turn off when the temperature is higher than 100°C±10°C, after the temperature drop off, it will recovery)	
Environment	Working TEMP.	-40~+60°C	
	Working Humidity	20~90%RH, non-condensing	
	Storage TEMP. Humidity	-40~+80°C, 10~95%RH	
	TEMP .coefficient	±0.03%/°C (0~50°C)	
	Vibration	10~500Hz, 2G 10min./1 cycle, period for 60min. each along X,Y,Z axes	
Safety& EMC	Safety standards	UL8750+UL1310	
	Withstand voltage	I/P-O/P:1500KVAC	
	Isolation resistance	I/P-O/P: 100MΩ/500VDC/25°C/70%RH	
	EMC Emission	FCC Part 15 B	
Others	Net. Weight	0.50Kg	
	Size	178*61*24mm (L*W*H)	
	Packing	350*195*180mm 30PCS/CTN	

Junction box sold separately



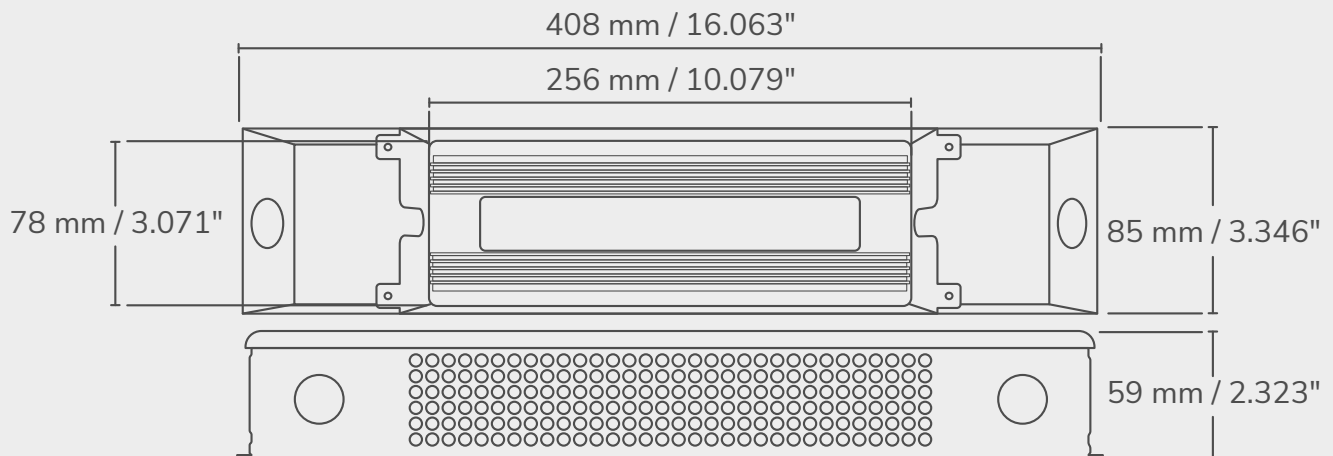


FEATURES

- Available in 12V and 24V
- Output constant voltage
- Universal AC input: 100-130VAC/170-265VAC
- Power Factor > 0.75
- High efficiency > 83%
- Protection: short circuit/over loading/Over heat
- Full protection plastic housing
- Easy installation
- IP67 design for indoor or outdoor installations
- Cooling by free air convection
- Work with leading edge and trailing edge TRIAC dimmers available
- Strong compatibility, flicker-free dimming
- Suitable for LED lighting and moving sign applications
- Compliance to worldwide safety regulations for lightings.

TECHNICAL SPECIFICATIONS

Model		LCPSL CODIM-12V-100W	LCPSL CODIM-24V-96W		
Output	DC Voltage	12V	24V		
	Voltage Tolerance	±0.5V			
	Rated current	8.33A	4A		
	Rated power	100W	96W		
Input	Voltage Range	100 ~ 130VAC / 170~265VAC			
	Frequency Range	47 ~ 63HZ			
	Power Factor (Typ.)	PF≥0.72/110V,PF≥0.73/170V,PF≥0.74/220V,PF≥0.75/265V			
	Efficiency (Typ.)	>83%	>83%		
	AC Current (Typ.)	0.61A/110VAC	0.58A/170VAC	0.46A/220VAC	0.41A/265VAC
	Leakage current	< 0.25mA/110VAC / 220VAC			
Protection	Short Circuit	Hiccup mode, recovers automatically after fault condition is removed			
	Over Current	≤140VAC(90~135V) , ≤270VAC (170~265V)			
	Over Loading	≤120%			
	Over temperature	100°C±10°C (The output voltage will turn off when the temperature is higher than 100°C±10°C, after the temperature drop off ,it will recovery)			
Environment	Working TEMP.	-40 ~ +60°C			
	Working Humidity	20 ~ 90%RH, non-condensing			
	Storage TEMP. Humidity	-40 ~ +80°C , 10 ~ 95%RH			
	TEMP .coefficient	±0.03%/°C (0 ~ 50°C)			
	Vibration	10 ~ 500Hz , 2G 10min./1 cycle,period for 60min. each along X,Y,Z axes			
Safety& EMC	Safety standards	EN-60950-1, EN61347-1 EN61347-2-13			
	Withstand voltage	I/P-O/P:3.75KVAC I/P-FG:1.88KVAC O/P-FG:0.5KVAC			
	Isolation resistance	I/P-O/P : 100MΩ/500VDC/25°C/70%RH			
	EMC Emission	Compliance to EN55015,EN61000 -3-2 (≥ 50%load)			
Others	Net. Weight	1.30Kg			
	Size	230*70*46mm (L*W*H)			

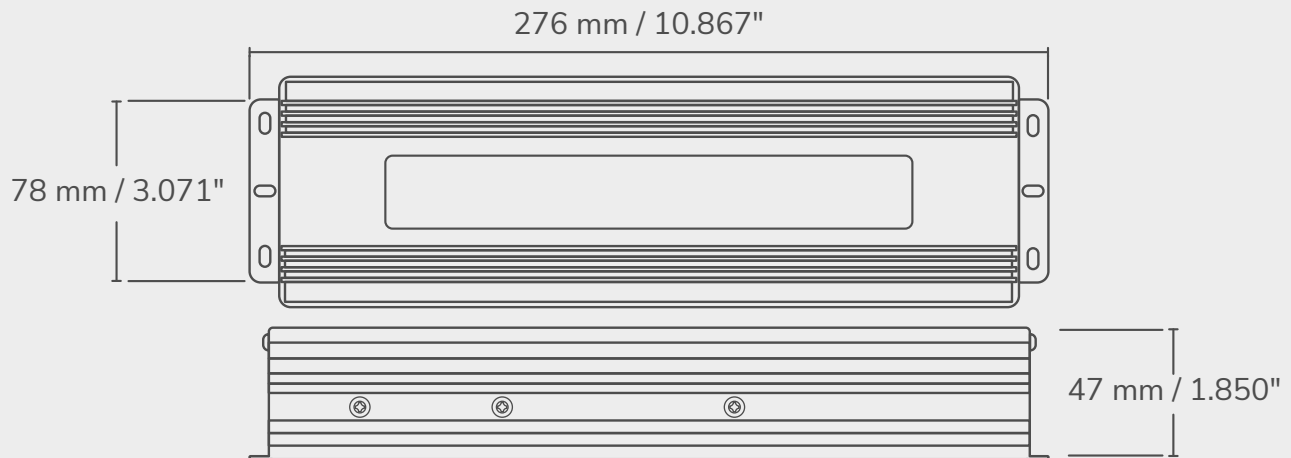


FEATURES

- Available in 12V and 24V
- Output constant voltage
- Universal AC input: 100-130VAC/170-265VAC
- Power Factor > 0.77
- High efficiency > 85%
- Protection: short circuit/over loading/Over heat
- Full protection plastic housing
- Easy installation
- IP67 design for indoor or outdoor installations
- Cooling by free air convection
- Work with leading edge and trailing edge TRIAC dimmers available
- Strong compatibility, flicker-free dimming
- Suitable for LED lighting and moving sign applications
- Compliance to worldwide safety regulations for lightings.

TECHNICAL SPECIFICATIONS

Model		LCPSLCODIM-12V-200W	LCPSLCODIM-24V-200W
Output	DC Voltage	12V	24V
	Voltage Tolerance	±0.5V	
	Rated current	16.67A	8.33A
	Rated power	200W	
Input	Voltage Range	100 ~ 130VAC / 170~265 VAC	
	Frequency Range	47 ~ 63HZ	
	Power Factor (Typ.)	> 0.77/110VAC,	>0.8/220VAC
	Efficiency (Typ.)	>85%	>85%
	AC Current (Typ.)	1.78A	1.76A
	Leakage current	< 0.70mA/110VAC,	<0.65mA/220VAC
Protection	Short Circuit	Hiccup mode, recovers automatically after fault condition is removed	
	Over Current	≤1.4*I out	
	Over Loading	≤120%	
	Over temperature	100°C±10°C (The output voltage will turn off when the temperature is higher than 100°C±10°C, after the temperature drop off ,it will recovery)	
Environment	Working TEMP.	-40 ~ +60°C	
	Working Humidity	20 ~ 90%RH, non-condensing	
	Storage TEMP. Humidity	-40 ~ +80°C , 10 ~ 95%RH	
	TEMP .coefficient	±0.03%/°C (0 ~ 50°C)	
	Vibration	10 ~ 500Hz , 2G 10min./1 cycle,period for 60min. each along X,Y,Z axes	
Safety& EMC	Safety standards	EN61347-1 EN61347-2-13	
	Withstand voltage	I/P-O/P:3.75KVAC	
	Isolation resistance	I/P-O/P : 100MΩ/500VDC/25°C/70%RH	
	EMC Emission	Compliance to EN55015,EN61000 -3-2 (≥ 50%load)	
Others	Net. Weight	2.0Kg	
	Size	256*78*59mm (L*W*H)	



FEATURES

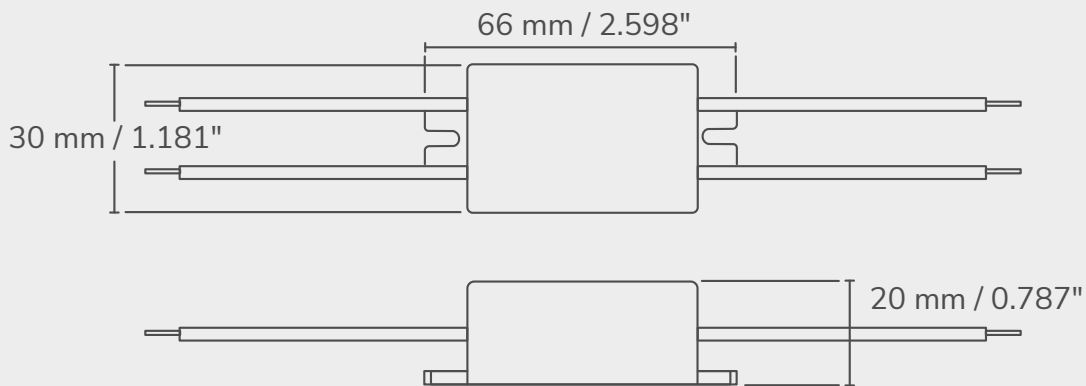
- Available in 12V and 24V
- Output constant voltage
- Universal AC input: 100-130VAC/170-265VAC
- Class 2 LED driver
- Power Factor > 0.77
- High efficiency > 85%
- Protection: short circuit/over loading/Over heat
- Full protection plastic housing
- IP67 design for indoor or outdoor installations
- Cooling by free air convection
- Work with leading edge and trailing edge TRIAC dimmers available
- Strong compatibility, flicker-free dimming
- Suitable for LED lighting and moving sign applications
- Compliance to worldwide safety regulations for lightings.
- Easy installation

TECHNICAL SPECIFICATIONS

Model		LCPSL CODIM-12V-300W	LCPSL CODIM-24V-300W
Output	DC Voltage	12V	24V
	Voltage Tolerance	±0.5V	
	Rated current	25A	12.5A
	Rated power	300W	
Input	Voltage Range	100-277 VAC	
	Frequency Range	47~63HZ	
	Power Factor (Typ.)	0.98@120VAC 0.97@277VAC	0.98@120VAC 0.97@277VAC
	Efficiency (Typ.)	>87%	
	AC Current (Typ.)	3.4A@110VAC	
	Leakage current	<0.50mA/110VAC	
Protection	Short Circuit	Shut down o/p voltage, re-power on to recover after fault condition is removed	
	Over Current	≤ 1.4*I out	
	Over Loading	≤120% Hiccup mode,recovers automatically after fault condition is removed	
	Over temperature	100°C±10°C (The output voltage will turn off when the temperature is higher than100°C±10°C, after the temperature drop off ,it will recovery)	
Environment	Working TEMP.	-40~+60°C	
	Working Humidity	20~90%RH, non-condensing	
	Storage TEMP. Humidity	-40~+80°C, 10~95%RH	
	TEMP .coefficient	±0.03%/°C (0~50°C)	
	Vibration	10~500Hz, 2G 10min./1 cycle,period for 60min. each along X,Y,Z axes	
Safety& EMC	Safety standards	UL8750	
	Withstand voltage	I/P-O/P:1.88KVac	
	Isolation resistance	I/P-O/P: 100MΩ/500VDC/25°C/70%RH	
	EMC Emission	FCC Part 15 B	
Others	Net. Weight	2.0Kg	
	Size	276*78*47mm (L*W*H)	

Junction box sold separately



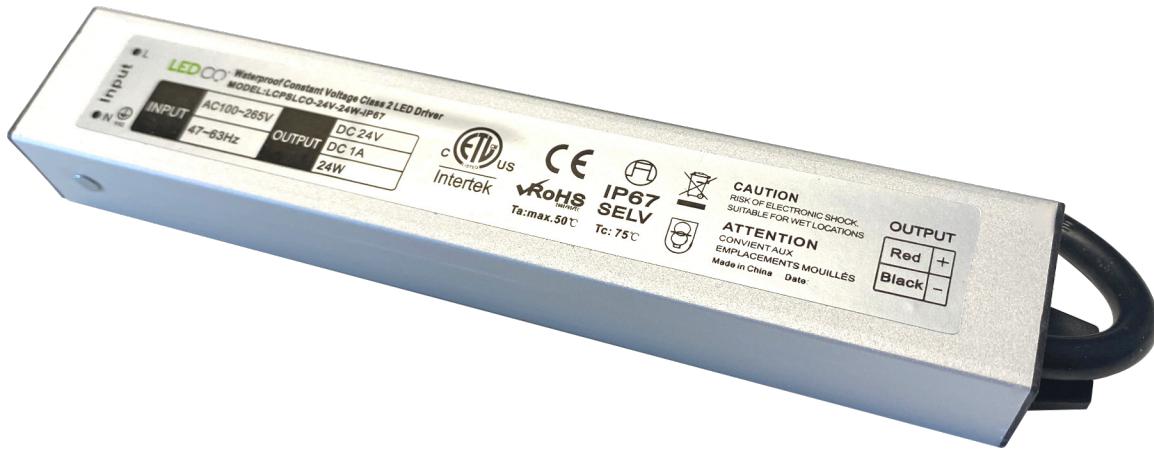


FEATURES

- Available in 12V and 24V
- IP67 design for indoor or outdoor installations
- Protections: short circuit / Overload / Over temperature
- Cooling by free air convection
- 100% full load burn-in test
- Suitable for LED lighting
- Products through CE, ETL RoHS Certification
- 3 Years warranty
- Output constant voltage
- AC input: 90~265VAC
- High efficiency > 81%
- Dimensions : 66 x 30 x 20mm (L x W x H)
- Weight : 0.051Kg/pcs
- Easy installation

TECHNICAL SPECIFICATIONS

Model		LCPSLCO-12V-12WIP67	LCPSLCO-24V-12WIP67
Output	DC Voltage	12V	24V
	Voltage Tolerance	±0.5V	
	Rated current	1A	0.5A
	Rated power	12W	
Input	Voltage Range	90 ~ 265VAC	
	Frequency Range	47 ~ 63HZ	
	Efficiency (Typ.)	>81%	>81%
	AC Current (Typ.)	0.20A @110VAC	0.099A@220VAC
Protection	Short Circuit	Hiccup mode, recovers automatically after fault condition is removed	
	Overload	overload protected@145-160% above peak rating	
	Over temperature	Protection type:Shut down o/p voltage,re-power on to removed	
Environment	Working TEMP.	-30 ~ +50°C	
	Ingress Protection	IP67 design for indoor or outdoor installations	
Safety& EMC	Safety standards	EN61347-1;EN61347-2-13;SELV;IP67 UL, CE, ROHS approved	
	EMC Test Standards	EN55015:2006;EN61547:1995+2000;EN61000-3-2:2006 EN61000-3-3:1995+A2:2005;EN61346-1:2001;EN61347-2-13:2006	
Others	Net. Weight	0.51Kg	
	Size	66 x 30 x 20mm (L x W x H)	



FEATURES

- Available in 12V and 24V
- IP67 design for indoor or outdoor installations
- Protections: short circuit / Overload / Over temperature
- Cooling by free air convection
- 100% full load burn-in test
- Suitable for LED lighting
- Products through CE, ETL RoHS Certification
- 3 Years warranty
- Output constant voltage
- AC input: 100~265VAC
- High efficiency > 83%
- Dimensions : 182 x 29 x 20mm (L x W x H)
- Weight : 0.200Kg/pcs
- Easy installation

TECHNICAL SPECIFICATIONS

Model		LCPSLCO-12V-24W	LCPSLCO-24V-24W
Output	DC Voltage	12V	24V
	Voltage Tolerance	±0.5V	
	Rated current	2A	1A
	Rated power	24W	
Input	Voltage Range	100 ~ 265VAC	
	Frequency Range	50 ~ 60HZ	
	Efficiency (Typ.)	>83%	>83%
	AC Current (Typ.)	3.5A@110, 220VAC	2.0A@110, 220VAC
Protection	Short Circuit	Hiccup mode, recovers automatically after fault condition is removed	
	Overload	overload protected@145-160% above peak rating	
	Over Temperature	Protection type: Shut down o/p voltage, re-power on to removed	
Environment	Working TEMP.	-30 ~ +50°C	
	Working Humidity	20~99% RH non-condensing (Waterproof)	
	Storage TEMP. Humidity	-40 ~ +80°C , 10 ~ 95%RH	
Safety& EMC	Safety standards	UL/ROHS/CE Mark(EMC,LVD),IP67	
	Withstand voltage	I/P-O/P:1.5KVAC IP-GND:1.5KVAC	
	EMC Emission	EN55015:2006;EN61547:1995+2000;EN61000-3-2:2006 EN61000-3-3:1995+A2:2005; EN61346-1:2001;EN61347-2-13:2006	

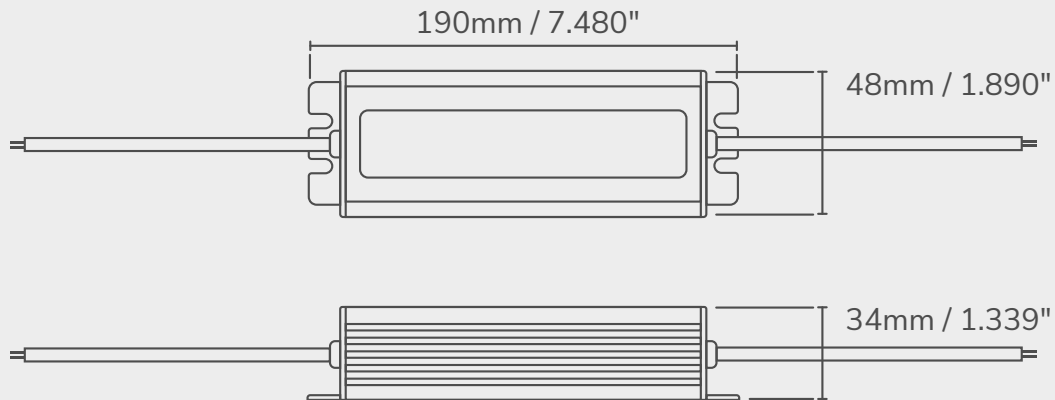


FEATURES

- Available in 12V and 24V
- IP67 design for indoor or outdoor installations
- Protections: short circuit / Overload / Over temperature
- Cooling by free air convection
- 100% full load burn-in test
- Suitable for LED lighting
- Products through CE, ETL RoHS Certification
- 3 Years warranty
- Output constant voltage
- AC input: 100~265VAC
- High efficiency > 84%
- Dimensions : 182 x 29 x 20mm (L x W x H)
- Weight : 0.200Kg/pcs
- Easy installation

TECHNICAL SPECIFICATIONS

Model		LCPSLCO-12V-35WIP67	LCPSLCO-24V-36WIP67
Output	DC Voltage	12V	24V
	Voltage Tolerance	±0.5V	
	Rated current	3A	1.5A
	Rated power	36W	
Input	Voltage Range	100 ~ 265VAC	
	Frequency Range	50 ~ 60HZ	
	Efficiency (Typ.)	>84%	>84%
	AC Current (Typ.)	3.5A@110, 220VAC	2.0A@110, 220VAC
Protection	Short Circuit	Hiccup mode, recovers automatically after fault condition is removed	
	Overload	overload protected@145-160% above peak rating	
	Over Temperature	Protection type: Shut down o/p voltage, re-power on to removed	
Environment	Working TEMP.	-30 ~ +50°C	
	Working Humidity	20~99% RH non-condensing (Waterproof)	
	Storage TEMP. Humidity	-40 ~ +80°C , 10 ~ 95%RH	
Safety& EMC	Safety standards	UL/ROHS/CE Mark(EMC,LVD),IP67	
	Withstand voltage	I/P-O/P:1.5KVAC IP-GND:1.5KVAC	
	EMC Emission	EN55015:2006;EN61547:1995+2000;EN61000-3-2:2006 EN61000-3-3:1995+A2:2005; EN61346-1:2001;EN61347-2-13:2006	

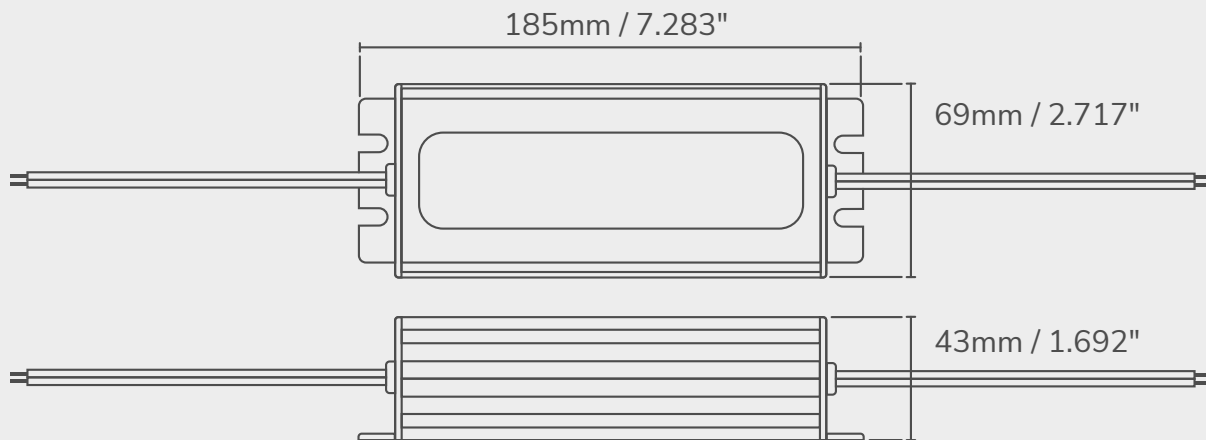


FEATURES

- Available in 12V and 24V
- IP67 design for indoor or outdoor installations
- Protections: short circuit / Overload / Over temperature
- Cooling by free air convection
- 100% full load burn-in test
- Suitable for LED lighting
- Products through CE, ETL RoHS Certification
- 3 Years warranty
- Output constant voltage
- AC input: 100~265VAC
- High efficiency > 84%
- Dimensions : 190 x 48 x 34mm (L x W x H)
- Weight : 0.550Kg/pcs
- Easy installation

TECHNICAL SPECIFICATIONS

Model		LCPSLCO-12V-60WIP67	LCPSLCO-24V-60WIP67
Output	DC Voltage	12V	24V
	Voltage Tolerance	±0.5V	
	Rated current	5.0A	2.5A
	Rated power	60W	
Input	Voltage Range	100 ~ 265VAC	
	Frequency Range	50 ~ 60HZ	
	Efficiency (Typ.)	>84%	>84%
	AC Current (Typ.)	0.5A@110, 220VAC	0.5A@110, 220VAC
Protection	Short Circuit	Hiccup mode, recovers automatically after fault condition is removed	
	Overload	overload protected@145-160% above peak rating	
	Over Temperature	Protection type: Shut down o/p voltage, re-power on to removed	
Environment	Working TEMP.	-30 ~ +50°C	
	Working Humidity	20~99% RH non-condensing (Waterproof)	
	Storage TEMP. Humidity	-40 ~ +80°C , 10 ~ 99%RH	
Safety& EMC	Safety standards	ETL CE Mark(LVD),IP67	
	Withstand voltage	I/P-O/P:1.5KVAC IP-GND:1.5KVAC	
	EMC Emission	EN55015:2006;EN61547:1995+2000;EN61000-3-2:2006 EN61000-3-3:1995+A2:2005; EN61346-1:2001;EN61347-2-13:2006	

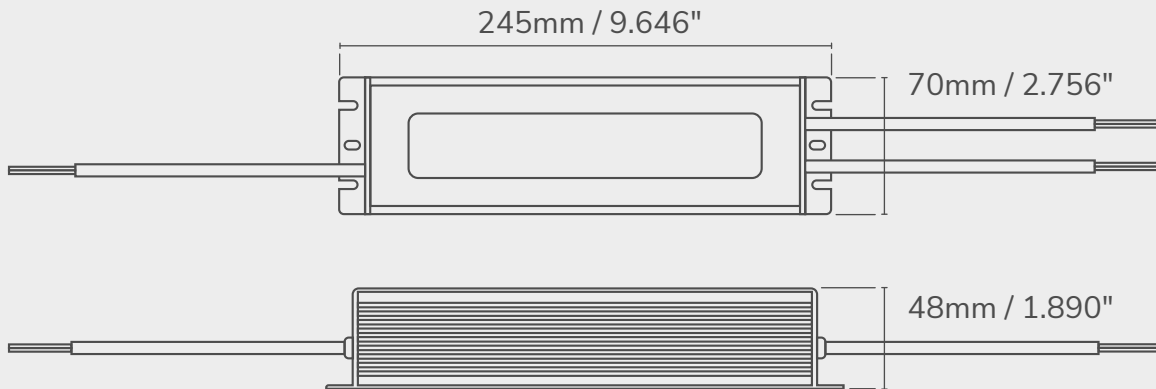


FEATURES

- Available in 12V and 24V
- IP67 design for indoor or outdoor installations
- Protections: short circuit / Overload / Over temperature
- Cooling by free air convection
- 100% full load burn-in test
- Suitable for LED lighting
- Products through CE, ETL RoHS Certification
- 3 Years warranty
- Output constant voltage
- AC input: 100~265VAC
- High efficiency > 87%
- Dimensions : 185 x 69 x 43mm (L x W x H)
- Weight : 0.9Kg/pcs
- Easy installation

TECHNICAL SPECIFICATIONS

Model		LCPSLCO-12V-96WIP67	LCPSLCO-24V-96WIP67
Output	DC Voltage	12V	24V
	Voltage Tolerance	±0.5V	
	Rated current	8.33A	4A
	Rated power	96W	
Input	Voltage Range	100 ~ 265VAC	
	Frequency Range	50 ~ 60HZ	
	Efficiency (Typ.)	>87%	>87%
	AC Current (Typ.)	0.92A@110, 220VAC	0.92A@110, 220VAC
Protection	Short Circuit	Hiccup mode, recovers automatically after fault condition is removed	
	Overload	overload protected@145-160% above peak rating	
	Over Temperature	Protection type: Shut down o/p voltage, re-power on to removed	
Environment	Working TEMP.	-30 ~ +50°C	
	Working Humidity	20~99% RH non-condensing (Waterproof)	
	Storage TEMP. Humidity	-40 ~ +80°C , 10 ~ 99%RH	
Safety& EMC	Safety standards	ETL CE Mark(LVD),IP67	
	Withstand voltage	I/P-O/P:1.5KVAC IP-GND:1.5KVAC	
	EMC Emission	EN55015:2006;EN61547:1995+2000;EN61000-3-2:2006 EN61000-3-3:1995+A2:2005; EN61346-1:2001;EN61347-2-13:2006	

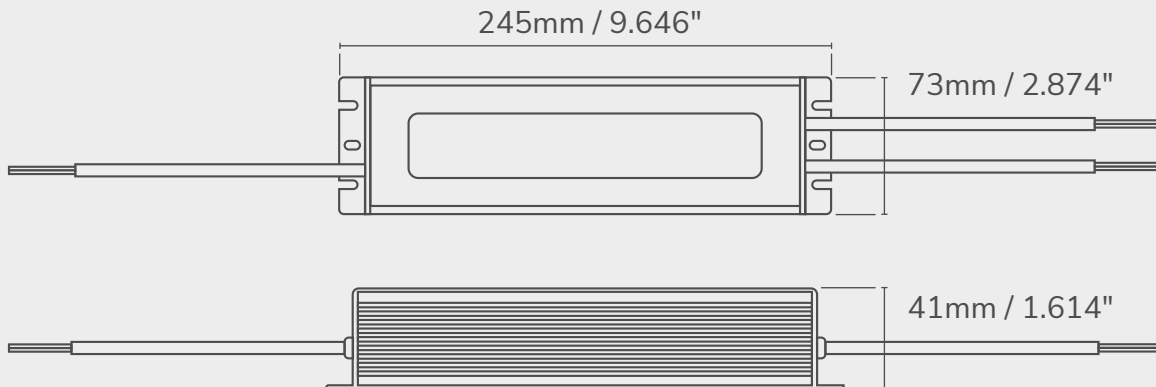


FEATURES

- Available in 12V and 24V
- IP67 design for indoor or outdoor installations
- Protections: short circuit / Overload / Over temperature
- Cooling by free air convection
- 100% full load burn-in test
- Suitable for LED lighting
- Products through CE, ETL RoHS Certification
- 3 Years warranty
- Output constant voltage
- AC input: 100~265VAC
- High efficiency >87%
- Dimensions : 245 x 70 x 48mm (L x W x H)
- Weight : 1.300Kg/pcs
- Easy installation

TECHNICAL SPECIFICATIONS

Model		LCPSLCO-12V-150WIP67	LCPSLCO-24V-150WIP67
Output	DC Voltage	12V	24V
	Voltage Tolerance	±0.5V	
	Rated current	12.5A	6.25A
	Rated power	150W	
Input	Voltage Range	100 ~ 265VAC	
	Frequency Range	50 ~ 60HZ	
	Efficiency (Typ.)	>87%	>87%
	AC Current (Typ.)	1.85A / 110 VAC, 220 VAC	
Protection	Short Circuit	Hiccup mode, recovers automatically after fault condition is removed	
	Overload	overload protected@145-160% above peak rating	
	Over Temperature	Protection type: Shut down o/p voltage, re-power on to removed	
Environment	Working TEMP.	-30 ~ +55°C	
	Working Humidity	20~99% RH non-condensing (Waterproof)	
	Storage TEMP. Humidity	-40 ~ +80°C , 10 ~ 99%RH	
Safety& EMC	Safety standards	ETL CE Mark(LVD),IP67	
	Withstand voltage	I/P-O/P:1.5KVAC IP-GND:1.5KVAC	
	EMC Emission	EN55015:2006;EN61547:1995+2000;EN61000-3-2:2006 EN61000-3-3:1995+A2:2005; EN61346-1:2001;EN61347-2-13:2006	

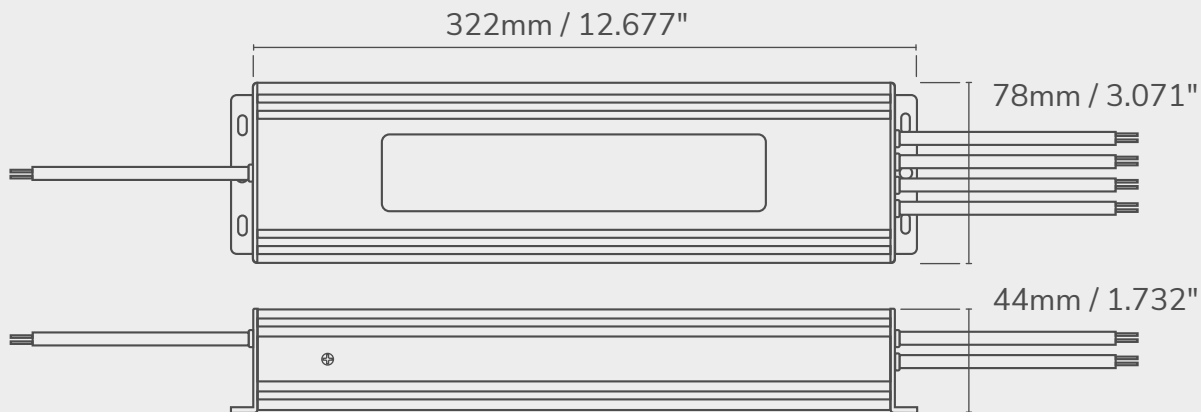


FEATURES

- Available in 24V
- IP67 design for indoor or outdoor installations
- Protections: short circuit / Overload / Over temperature
- Cooling by free air convection
- 100% full load burn-in test
- Suitable for LED lighting
- Products through CE, ETL RoHS Certification
- 3 Years warranty
- Output constant voltage
- AC input: 100~265VAC
- High efficiency >89%
- Dimensions : 245 x 73 x 41mm (L x W x H)
- Weight : 1.400Kg/pcs
- Easy installation

TECHNICAL SPECIFICATIONS

Model		LCPSLCO-24V-250WIP67
Output	DC Voltage	24V
	Voltage Tolerance	±0.5V
	Rated current	10.42A
	Rated power	250W
Input	Voltage Range	100 ~ 265VAC
	Frequency Range	50 ~ 60HZ
	Efficiency (Typ.)	>89%
	AC Current (Typ.)	1.85A / 110 VAC, 220 VAC
Protection	Short Circuit	Hiccup mode, recovers automatically after fault condition is removed
	Overload	overload protected@145-160% above peak rating
	Over Temperature	Protection type: Shut down o/p voltage, re-power on to removed
Environment	Working TEMP.	-40 ~ +50°C
	Working Humidity	20~99% RH non-condensing (Waterproof)
	Storage TEMP. Humidity	-40 ~ +80°C , 10 ~ 99%RH
Safety& EMC	Safety standards	ETL CE Mark(LVD),IP67
	Withstand voltage	I/P-O/P:1.5KVAC IP-GND:1.5KVAC
	EMC Emission	EN55015:2006;EN61547:1995+2000;EN61000-3-2:2006 EN61000-3-3:1995+A2:2005;EN61346-1:2001;EN61347-2-13:2006

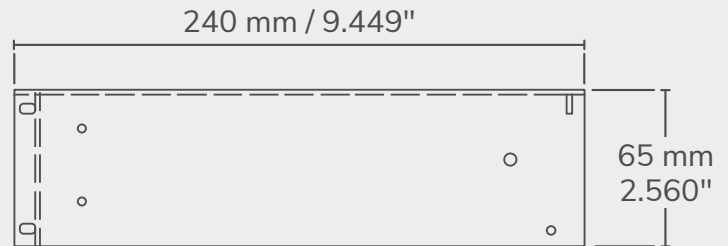
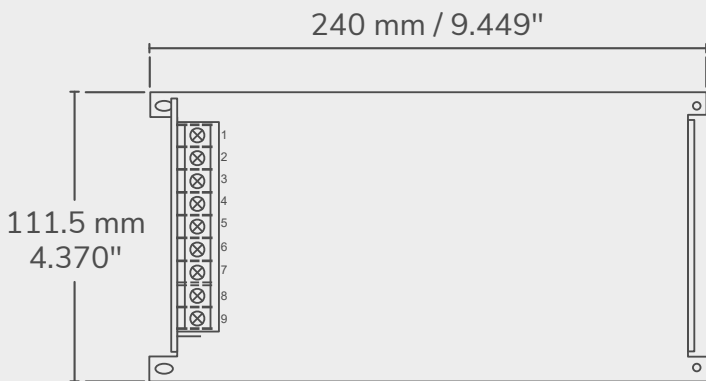


FEATURES

- Available in 24V
- IP67 design for indoor or outdoor installations
- Protections: short circuit / Overload / Over temperature
- Cooling by free air convection
- 100% full load burn-in test
- Suitable for LED lighting
- Products through CE, ETL RoHS Certification
- 3 Years warranty
- Output constant voltage
- AC input: 100~277VAC
- High efficiency >92%
- Dimensions : 322 x 78 x 47mm (L x W x H)
- Weight : 1.900Kg/pcs
- Easy installation

TECHNICAL SPECIFICATIONS

Model		LCPSLCO-24V-384WIP67
Output	DC Voltage	24V
	Voltage Tolerance	±0.5V
	Rated current	4 x 4A
	Rated power	384W
Input	Voltage Range	100 ~ 277VAC
	Frequency Range	47 ~ 63HZ
	Efficiency (Typ.)	>92%
	AC Current (Typ.)	0.98@120VAC 0.96@277VAC
Protection	Short Circuit	shut down o/p voltage, re-power on to recover after fault condition is removed
	Overload	≤120% Hiccup mode ,recovers automatically after fault condition is removed
	Over Temperature	100°C±10°C shut down o/p voltage, automatically recover after cooling.
Environment	Working TEMP.	-40 ~ +60°C
	Working Humidity	20~90% RH non-condensing
	Storage TEMP. Humidity	-40 ~ +80°C , 10 ~ 95%RH
Safety& EMC	Safety standards	UL8750+UL1310
	Withstand voltage	I/P-O/P: 1.88KVAC
	EMC Emission	FCC 47 CFR Part 15 ,Subpart B

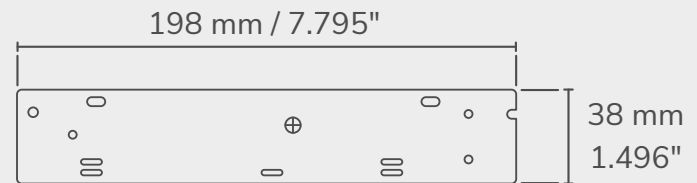
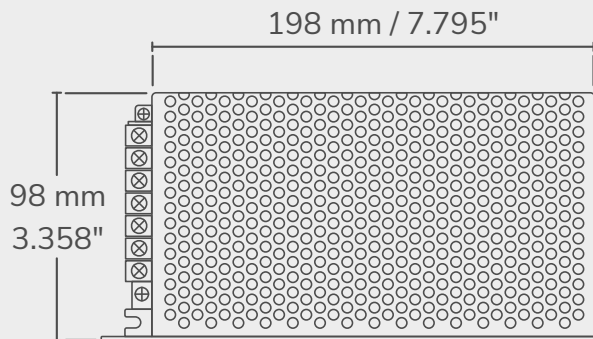


FEATURES

- Available in 24V
- Protections: short circuit / Overload / Over temperature
- Cooling by free air convection
- 100% full load burn-in test
- Suitable for LED lighting
- Products through CE, ETL RoHS Certification
- Class 2 LED driver
- 3 Years warranty
- Output constant voltage
- AC input: 100~240VAC
- High efficiency > 83%
- Dimensions : 240 x 111.5 x 65mm (L x W x H)
- Weight : 1.450Kg/pcs

TECHNICAL SPECIFICATIONS

Model		LCPSLCO-HW-24V-500W
Output	DC Voltage	24V
	Voltage Tolerance	±0.5V
	Rated current	7.39A
	Rated power	500W
Input	Voltage Range	100 ~ 265VAC
	Frequency Range	40 ~ 60HZ
	Efficiency (Typ.)	>83%
	AC Current (Typ.)	7.39±0.002A
Protection	Short Circuit	Hiccup mode, recovers automatically after fault condition is removed
	Overload	overcurrent, overvoltage, overheat, short circuit protection: Auto-recovery
	Over temperature	Protection type: Shut down o/p voltage, re-power on to removed
Environment	Working TEMP.	-25 ~ +55°C
	Ingress Protection	IP20
Safety& EMC	Safety standards	GB195110.1-2004/IEC61347-1:2003 ETL ,CE(EMC+LVD) certificate
	EMC Test Standards	EN55015, EN61000, EN61547
Others	Net. Weight	1.450Kg
	Size	240 x 111.5 x 65mm (L x W x H)



FEATURES

- Available in 24V
- Protections: short circuit / Overload / Over temperature
- Cooling by free air convection
- 100% full load burn-in test
- Suitable for LED lighting
- Products through CE, ETL RoHS Certification
- 3 Years warranty
- Output constant voltage
- AC input: 100~265VAC
- High efficiency > 83%
- Dimensions : 198 x 98 x 38mm (L x W x H)
- Weight : 0.650Kg/pcs

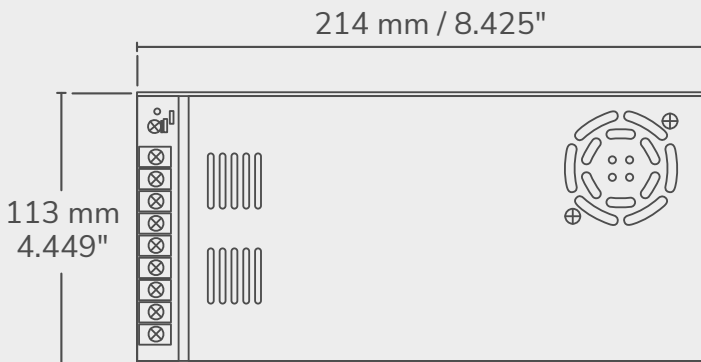
TECHNICAL SPECIFICATIONS

Model		LCPSLCO-24V-200W-IP20
Output	DC Voltage	24V
	Voltage Tolerance	±0.5V
	Rated current	1.56A
	Rated power	200W
Input	Voltage Range	100~265VAC
	Frequency Range	40~60HZ
	Efficiency (Typ.)	>83%
	AC Current (Typ.)	0.099A@220VAC
Protection	Short Circuit	Hiccup mode, recovers automatically after fault condition is removed
	Overload	overload protected@145-160% above peak rating
	Over temperature	Protection type: Shut down o/p voltage,re-power on to removed
Environment	Working TEMP.	-25~+55°C
	Ingress Protection	IP20
Safety& EMC	Safety standards	GB195110.1-2004/IEC61347-1:2003. UL, CE(EMC+LVD) approval
	EMC Test Standards	EN55015,EN61000,EN61547
Others	Net. Weight	0.650Kg
	Size	198 x 98 x 38mm (L x W x H)

JUNCTION BOX



- Metal junction box for 200W and 350W Hardwired Transformers
- Dimensions : 14.9" X 5.3" X 3.2"
- Product no. : LCJUNCBOX-14X5X3



FEATURES

- Available in 24V
- Protections: short circuit / Overload / Over temperature
- Cooling by free air convection
- 100% full load burn-in test
- Suitable for LED lighting
- Products through CE, ETL RoHS Certification
- 3 Years warranty
- Output constant voltage
- AC input: 100~265VAC
- High efficiency > 83%
- Dimensions : 214 x 113 x 48mm (L x W x H)
- Weight : 0.650Kg/pcs

TECHNICAL SPECIFICATIONS

Model		LCPSLCO-24V-350W-IP20
Output	DC Voltage	24V
	Voltage Tolerance	±0.5V
	Rated current	1.83A
	Rated power	350W
Input	Voltage Range	100~265VAC
	Frequency Range	40~60HZ
	Efficiency (Typ.)	>83%
	AC Current (Typ.)	0.099A@220VAC
Protection	Short Circuit	Hiccup mode, recovers automatically after fault condition is removed
	Overload	overload protected@145-160% above peak rating
	Over temperature	Protection type: Shut down o/p voltage, re-power on to removed
Environment	Working TEMP.	-25~+55°C
	Ingress Protection	IP20
Safety & EMC	Safety standards	GB195110.1-2004/IEC61347-1:2003. UL, CE(EMC+LVD) approval
	EMC Test Standards	EN55015, EN61000, EN61547
Others	Net. Weight	0.650Kg
	Size	214 x 113 x 48mm (L x W x H)

JUNCTION BOX



- Metal junction box for 200W and 350W Hardwired Transformers
- Dimensions : 14.9" X 5.3" X 3.2"
- Product no. : LCJUNCBOX-14X5X3



Affordable and easy to use, our plug-in transformers offer you flexibility and speed. For a mobile or occasional installation, this is the transformer for you!

FEATURES

- Available in 24V
- Plugs into a standard 120V outlet
- Suitable for LED strips and LED Pucks
- 1 year warranty
- ETL Certified

