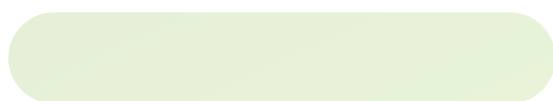
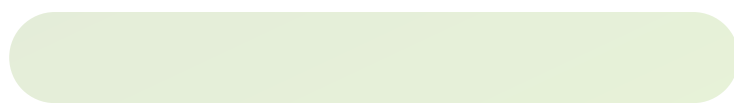


The logo for LED CO features the word "LED" in a bold, green, sans-serif font. To its right, the word "CO" is rendered in a black, sans-serif font, with the letter "O" stylized as a lightbulb shape. A registered trademark symbol (®) is positioned to the upper right of the "O".

LED CO[®]

ILLUMINATED LED MIRRORS



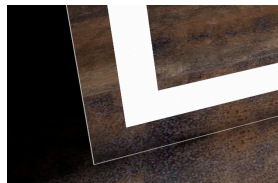
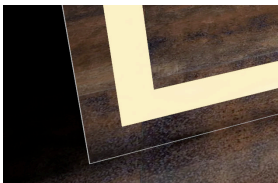
DESCRIPTION

- TYPE: Front-Lit Mirror
- SHAPE: Rectangle
- Dimmable with any standard MLV / TRIAC dimmer wall switch
- CRI 90+
- IP Rating: 44
- 120V wiring
- Approx. 120,000 Hours Lifetime
- Complete UL and cUL Certification
- Hangs horizontally or vertically

AVAILABLE LED COLORS (Kelvin)

3000K

6000K



MODELS AND SPECIFICATIONS

MODELS	PRODUCT NUMBERS	DIMENSIONS	LUMENS	WATTS	WEIGHT
Harmony Rectangle 20 X 26	LCMIR-HARRE-2026-30/60K	20"W x 26"H x 1.6"D	3450/3550lm	29W	18lbs
Harmony Rectangle 24 X 32	LCMIR-HARRE-2432-30/60K	24"W x 32"H x 1.6"D	4140/4250lm	35W	35lbs
Harmony Rectangle 32 X 32	LCMIR-HARRE-3232-30/60K	32"W x 32"H x 1.6"D	4960/4970lm	45W	30lbs
Harmony Rectangle 40 X 24	LCMIR-HARRE-4024-30/60K	40"W x 24"H x 1.6"D	4960/4970lm	45W	29lbs
Harmony Rectangle 48 X 24	LCMIR-HARRE-4824-30/60K	48"W x 24"H x 1.6"D	5440/5450lm	49W	34lbs
Harmony Rectangle 40 X 35	LCMIR-HARRE-4035-30/60K	40"W x 35"H x 1.6"D	5930/5940lm	54W	41lbs
Harmony Rectangle 48 X 28	LCMIR-HARRE-4828-30/60K	48"W x 28"H x 1.6"D	5930/5940lm	54W	39lbs
Harmony Rectangle 36 X 36	LCMIR-HARRE-3636-30/60K	36"W x 36"H x 1.6"D	5930/5940lm	54W	40lbs
Harmony Rectangle 40 X 40	LCMIR-HARRE-4040-30/60K	40"W x 40"H x 1.6"D	6410/6430lm	58W	44lbs
Harmony Rectangle 48 X 35	LCMIR-HARRE-4835-30/60K	48"W x 35"H x 1.6"D	6910/7110lm	59W	48lbs
Harmony Rectangle 60 X 28	LCMIR-HARRE-6028-30/60K	60"W x 28"H x 1.6"D	7620/7830lm	65W	50lbs
Harmony Rectangle 55 X 36	LCMIR-HARRE-5536-30/60K	55"W x 36"H x 1.6"D	7620/7830lm	65W	56lbs
Harmony Rectangle 70 X 32	LCMIR-HARRE-7032-30/60K	70"W x 32"H x 1.6"D	8930/9180lm	76W	64lbs
Harmony Rectangle 60 X 45	LCMIR-HARRE-6045-30/60K	60"W x 45"H x 1.6"D	8930/9180lm	76W	74lbs
Harmony Rectangle 70 X 45	LCMIR-HARRE-7045-30/60K	70"W x 45"H x 1.6"D	9920/9940lm	90W	85lbs
Harmony Rectangle 85 X 40	LCMIR-HARRE-8540-30/60K	85"W x 40"H x 1.6"D	10890/10910lm	98W	93lbs
Harmony Rectangle 100 X 45	LCMIR-HARRE-10045-30/60K	100"W x 45"H x 2.0"D	12830/12860lm	116W	121lbs



COLOR RENDERING INDEX

The color rendering index (CRI) of a light source is a quantitative measure of its ability to reproduce the colors of various objects faithfully in comparison with an ideal or natural light source.

In general terms, CRI is a measure of a light source's ability to show object colors "realistically" or "naturally".

We only use LED CRI 90+.

COLOR TEMPERATURE

We offer 2 different light colors for our mirrors.

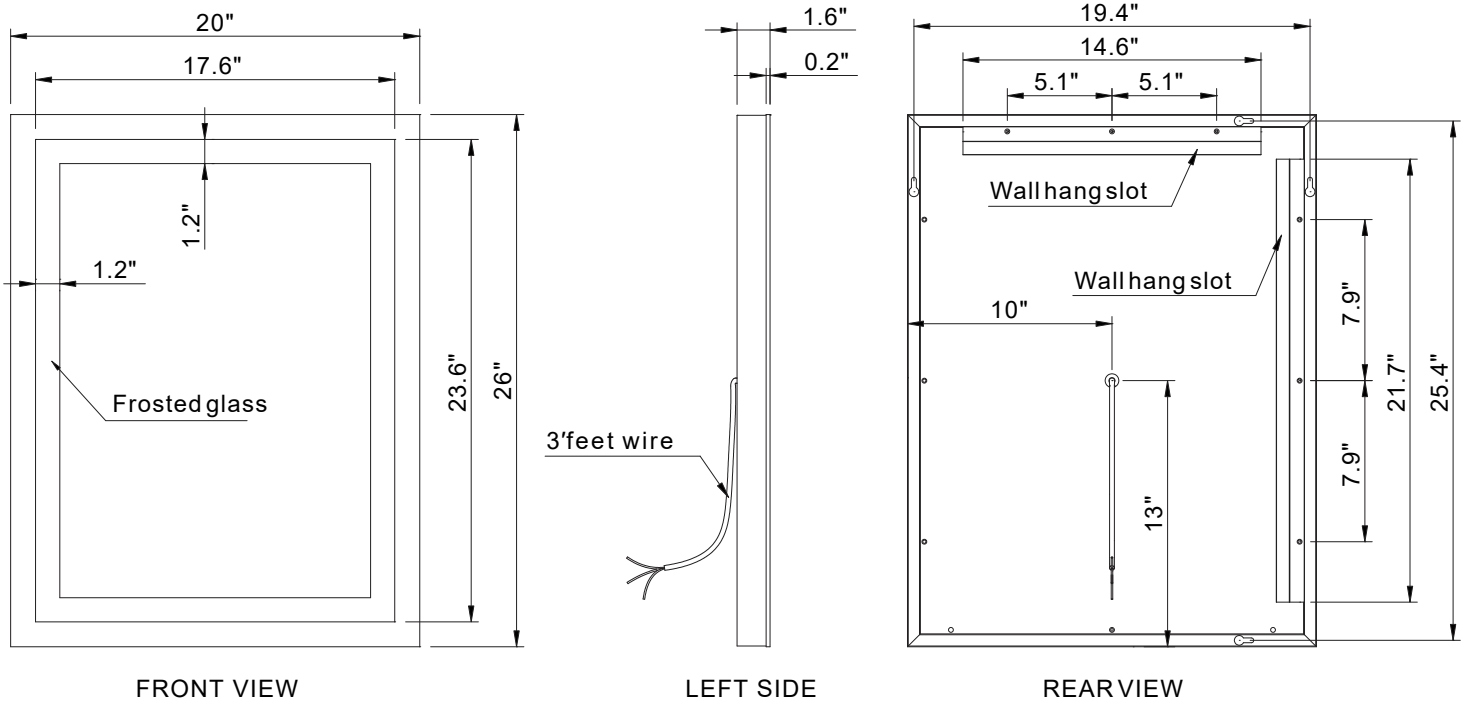
6000K: Pure white color light. It is the most popular color for makeup application and hairstyling.

In addition, the 6000K is 15% brighter than the 3000K light color. 85% of our customers choose the 6000K light color.

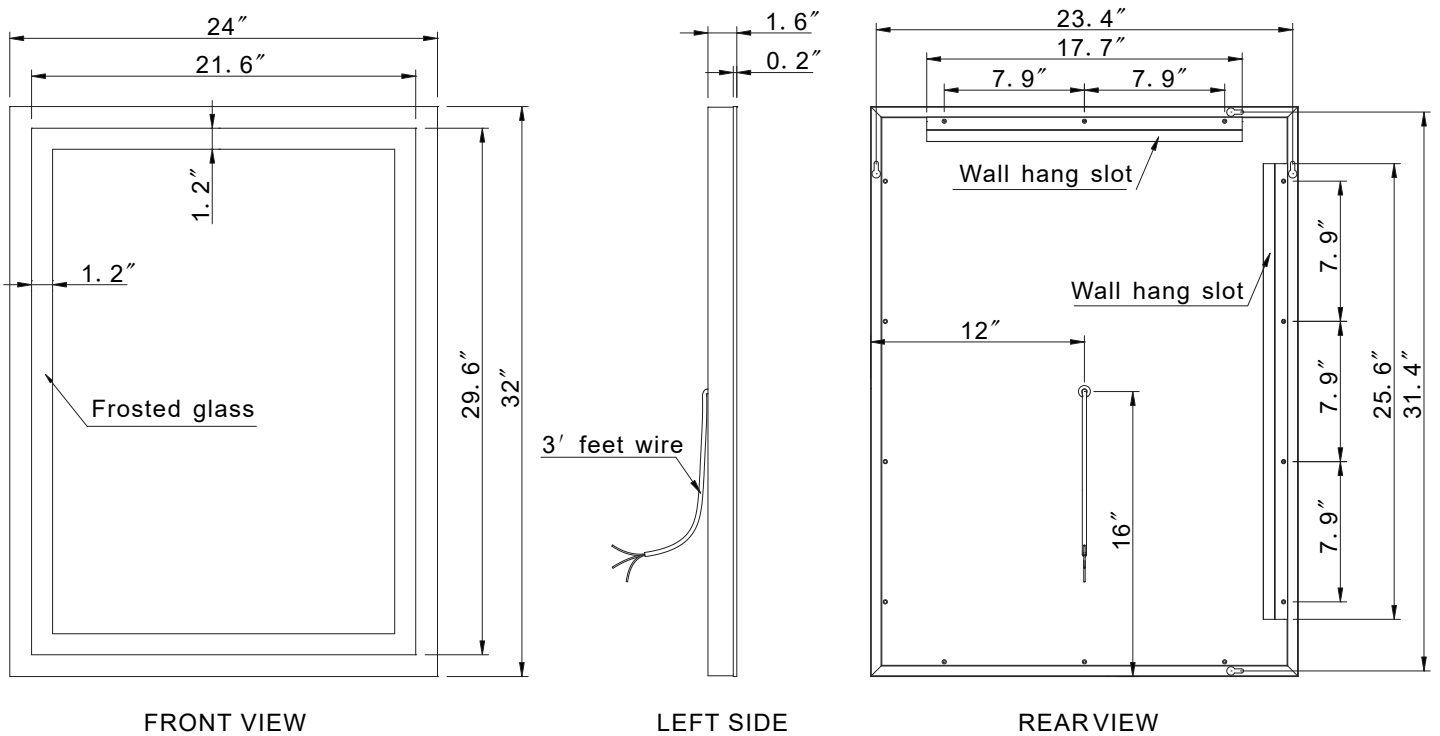
3000K: Warm white color light, the light is a little yellow.



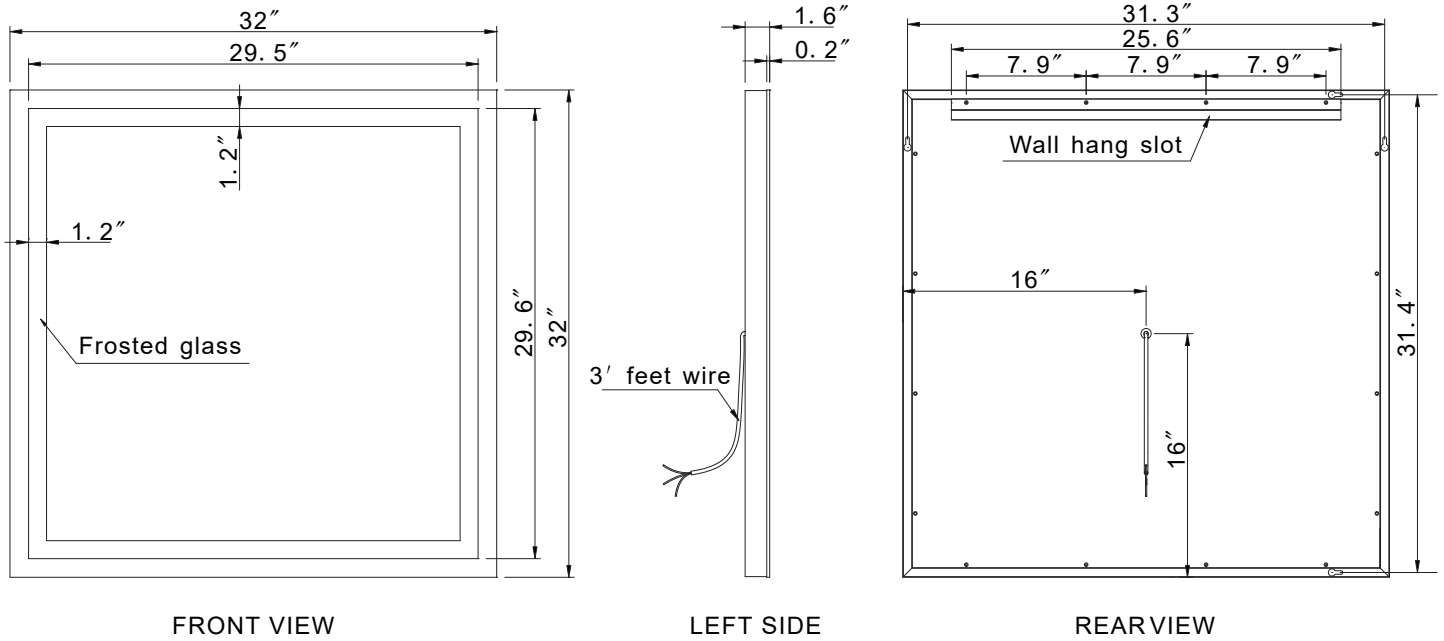
HARMONY RECTANGLE 20 X 26



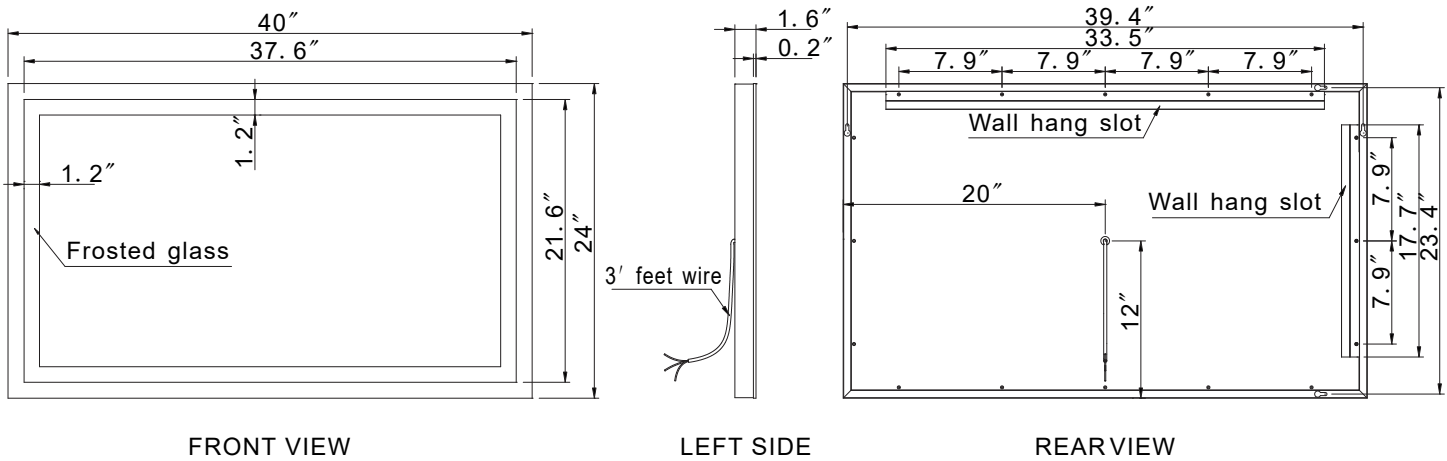
HARMONY RECTANGLE 24 X 32



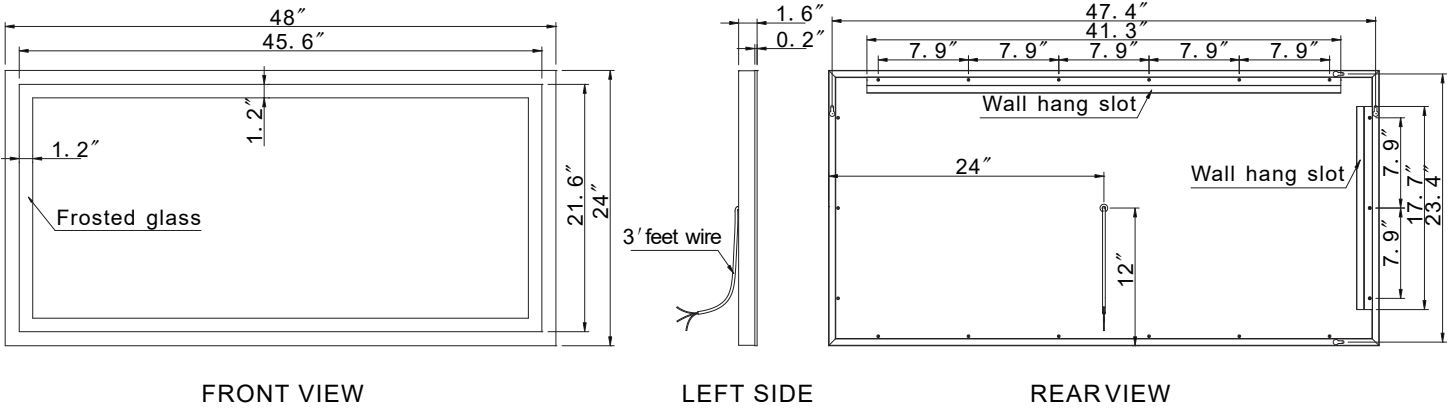
HARMONY RECTANGLE 32 X 32



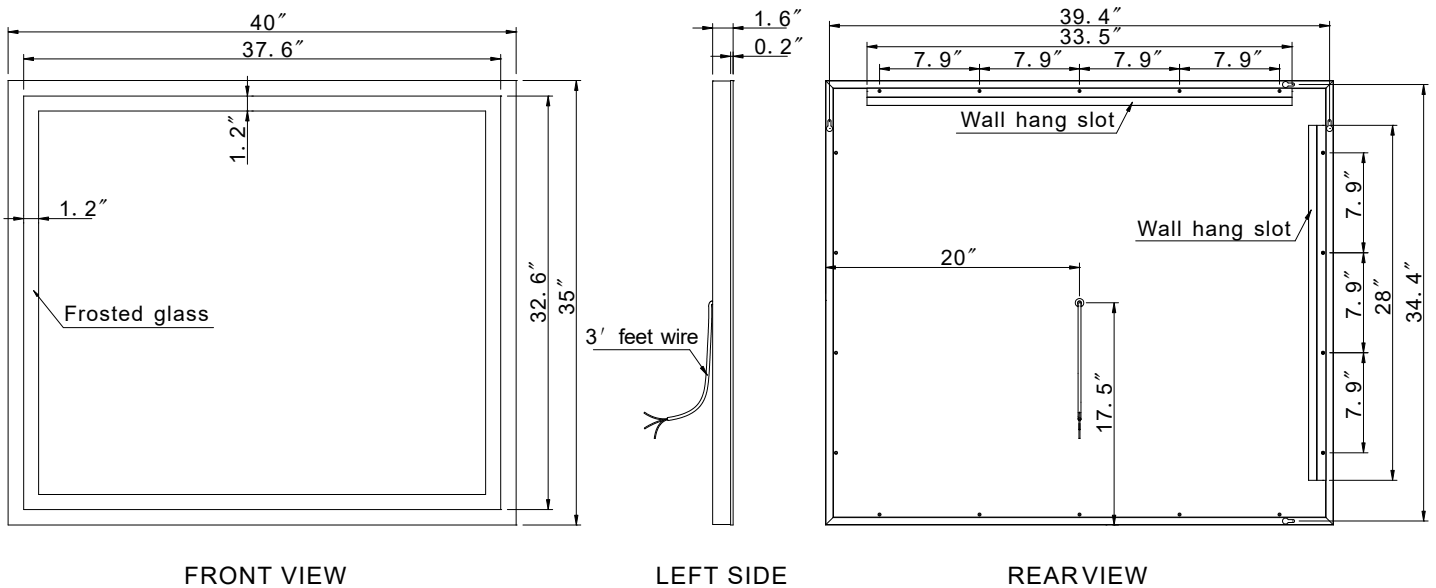
HARMONY RECTANGLE 40 X 24



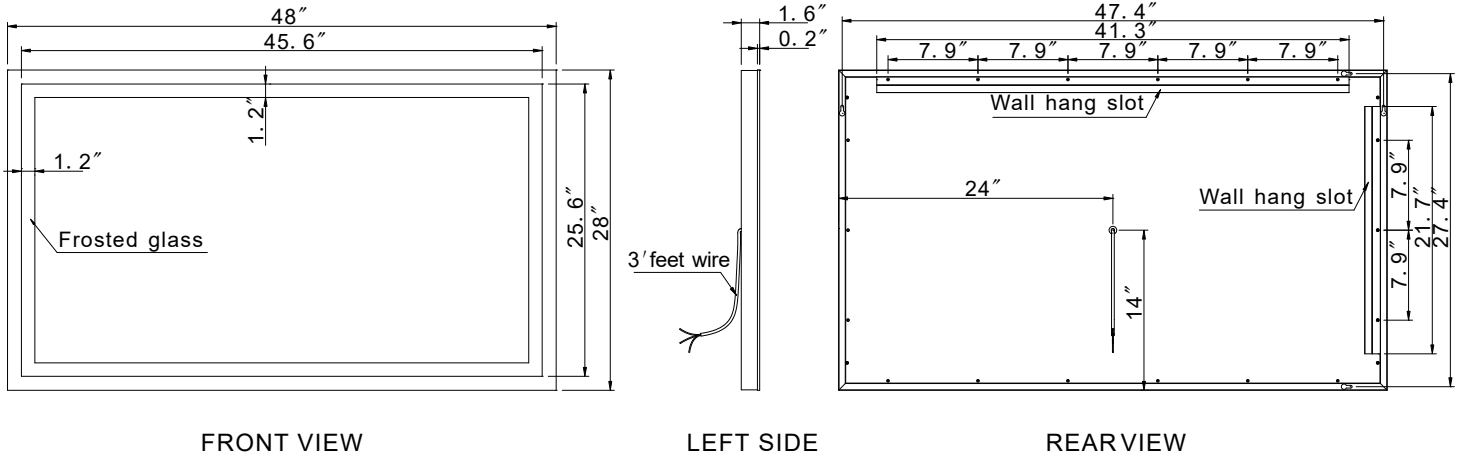
HARMONY RECTANGLE 48 X 24



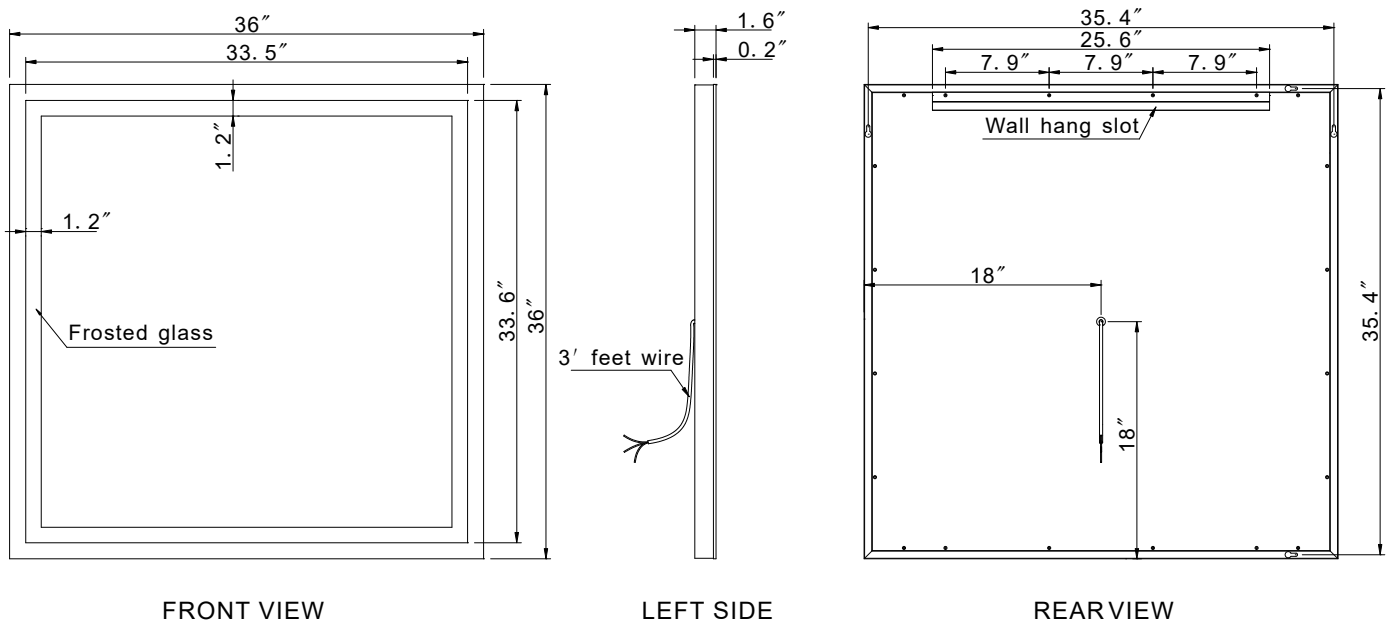
HARMONY RECTANGLE 40 X 35



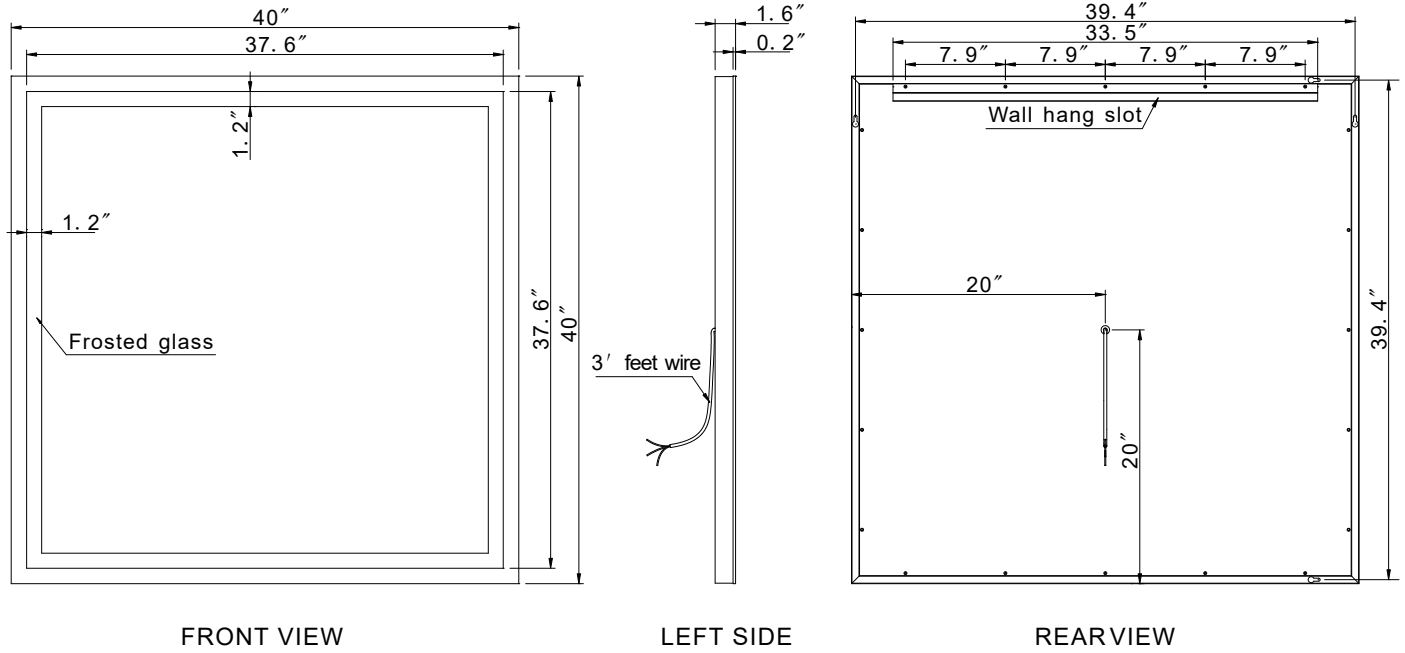
HARMONY RECTANGLE 48 X 28



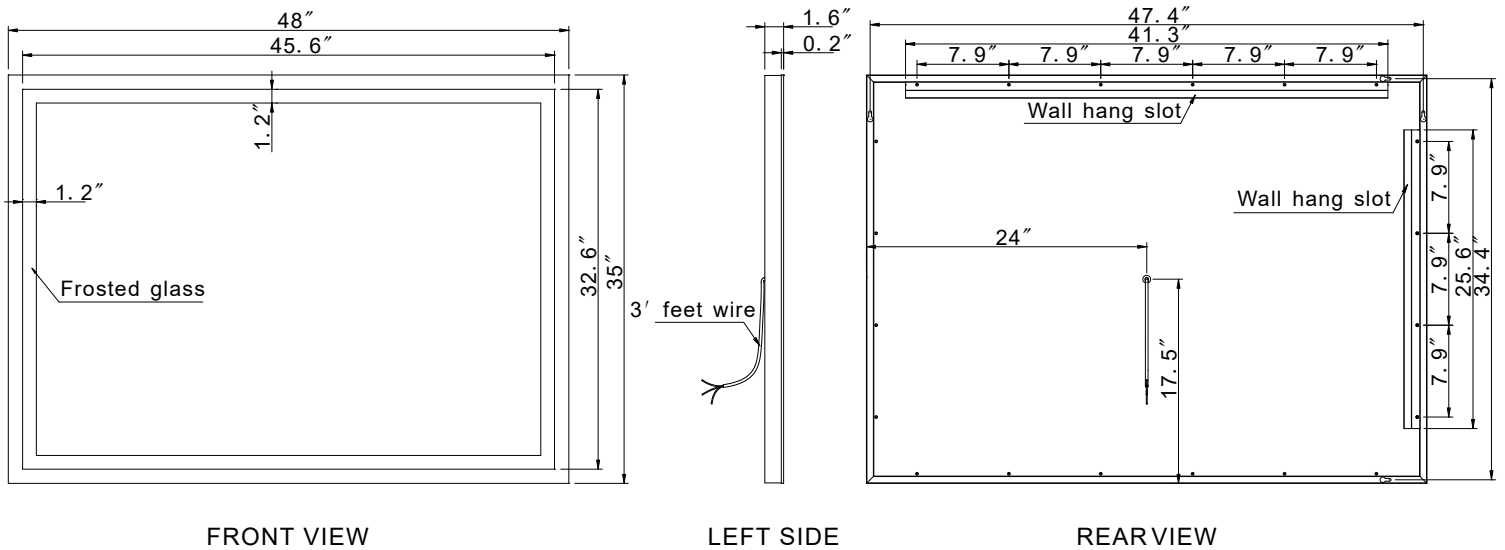
HARMONY RECTANGLE 36 X 36



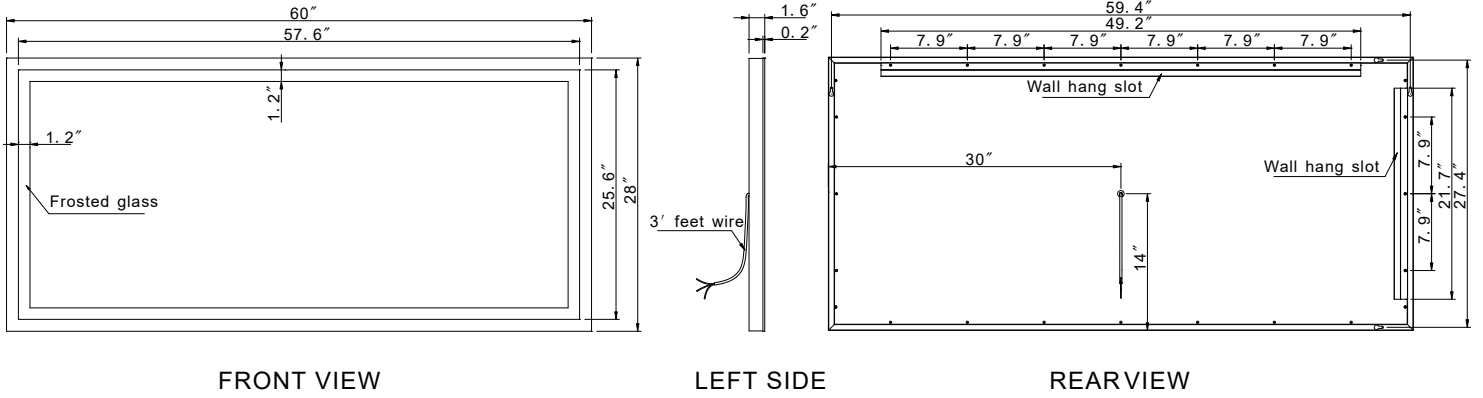
HARMONY RECTANGLE 40 X 40



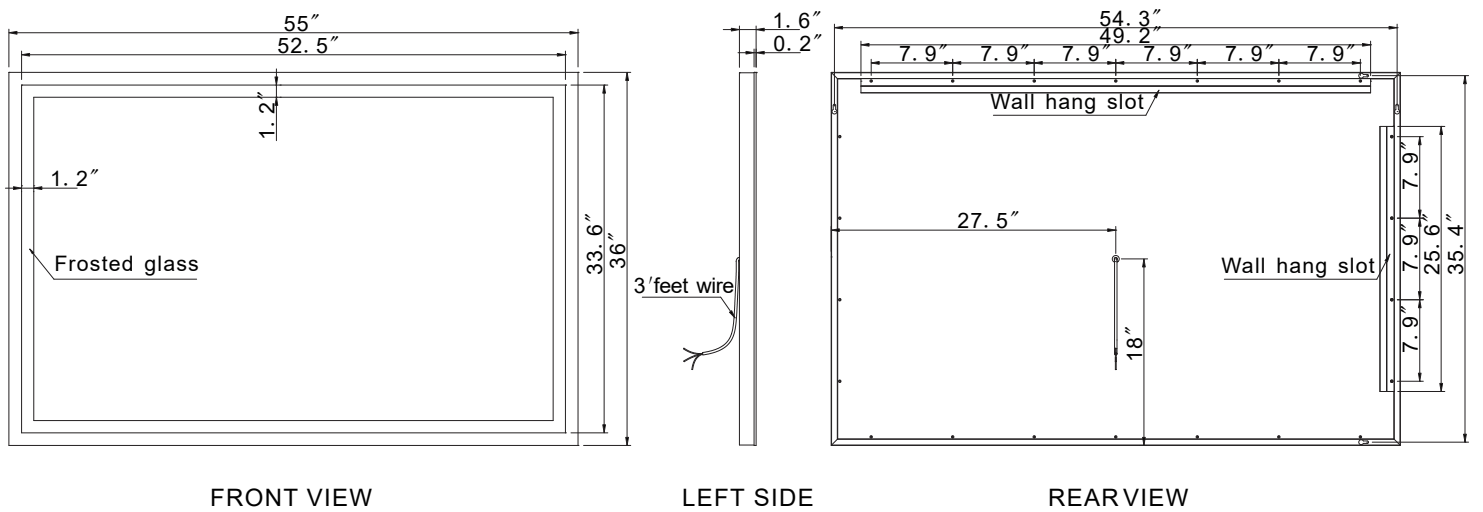
HARMONY RECTANGLE 48 X 35



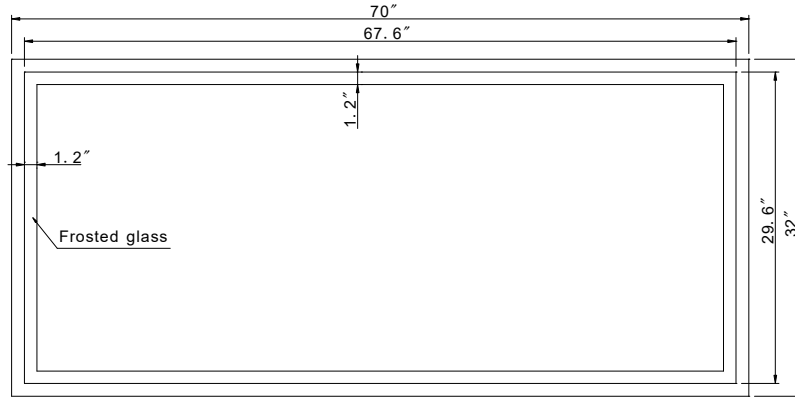
HARMONY RECTANGLE 60 X 28



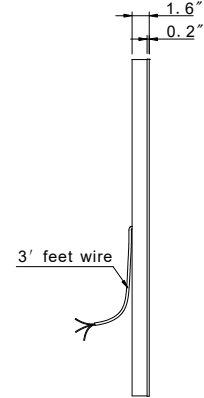
HARMONY RECTANGLE 55 X 36



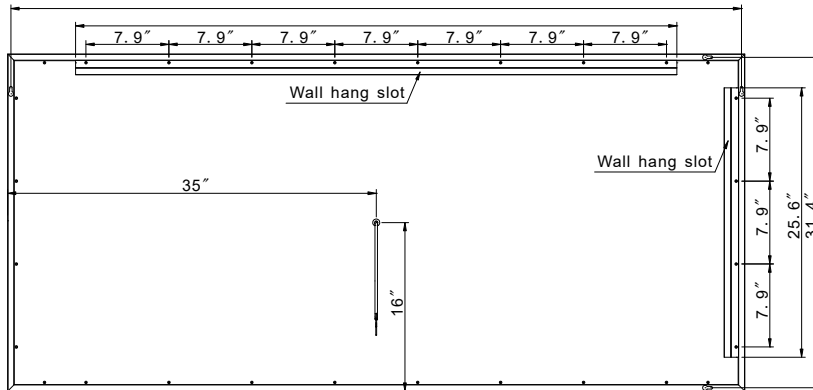
HARMONY RECTANGLE 70 X 32



FRONT VIEW

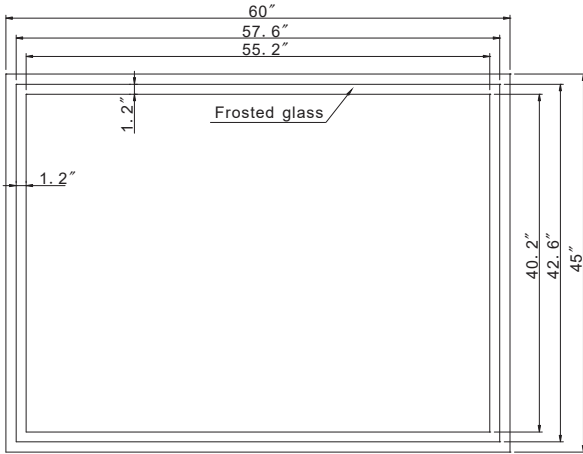


LEFT SIDE

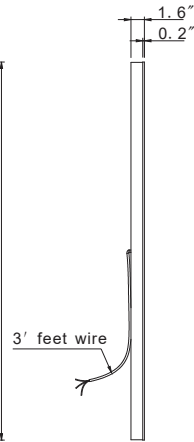


REAR VIEW

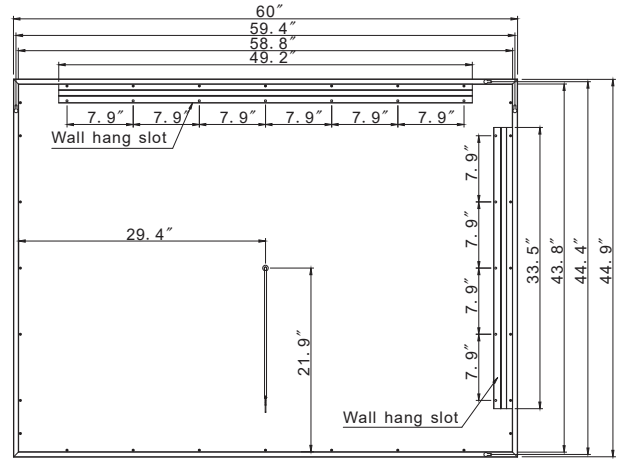
HARMONY RECTANGLE 60 X 45



FRONT VIEW

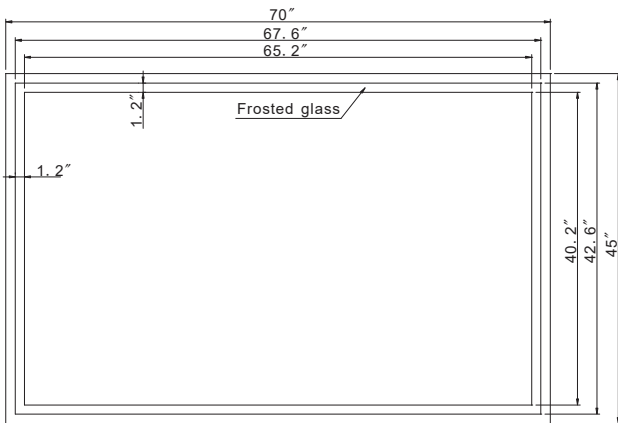


LEFT SIDE

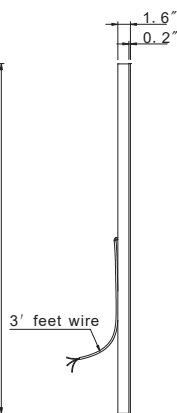


REARVIEW

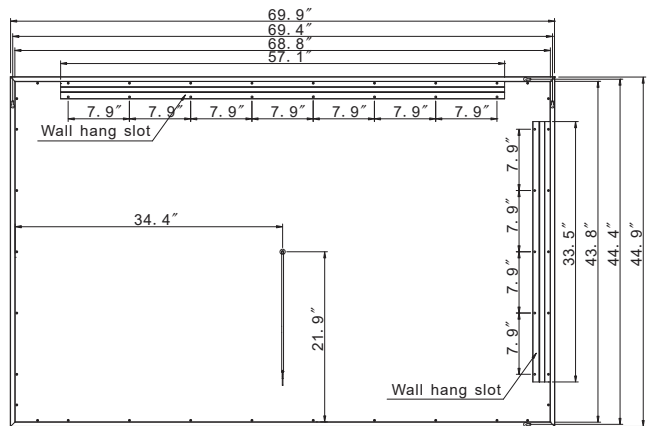
HARMONY RECTANGLE 70 X 45



FRONT VIEW

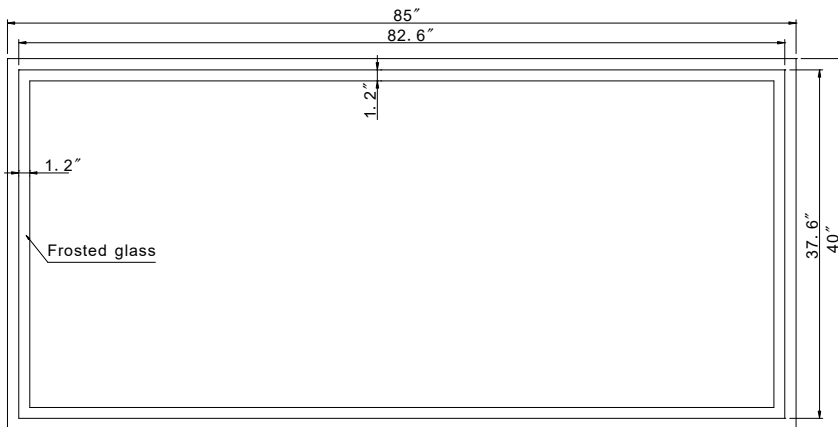


LEFT SIDE

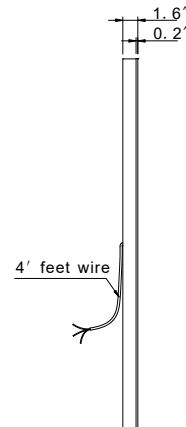


REARVIEW

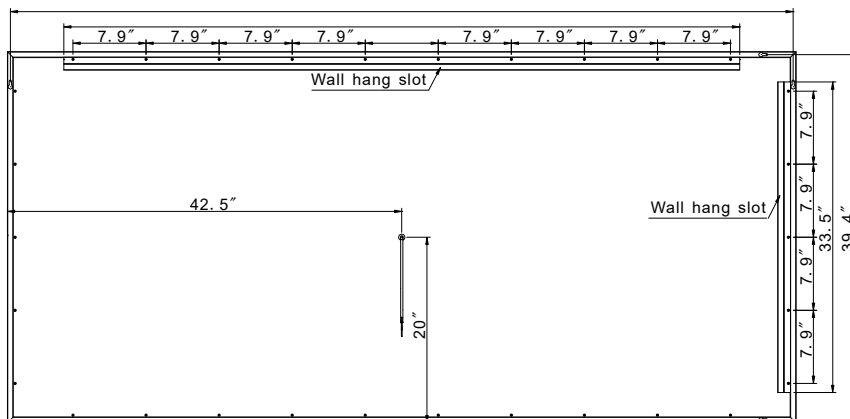
HARMONY RECTANGLE 85 X 40



FRONT VIEW

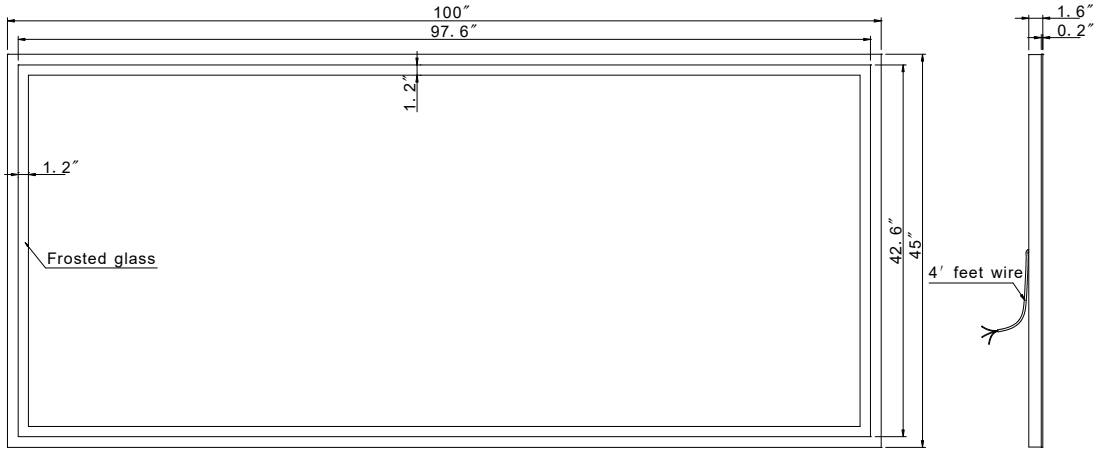


LEFT SIDE



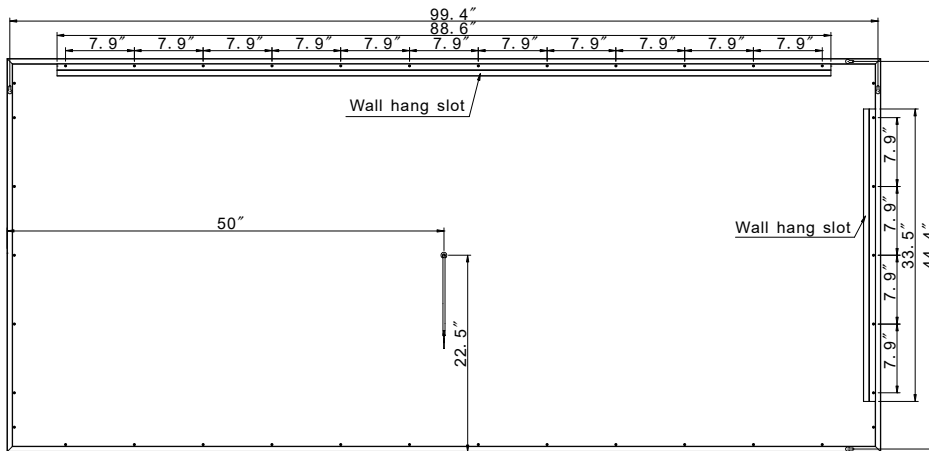
REAR VIEW

HARMONY RECTANGLE 100 X 45



FRONT VIEW

LEFT SIDE



REAR VIEW

INSTALLATION & AFTER CARE INSTRUCTIONS

Installation:

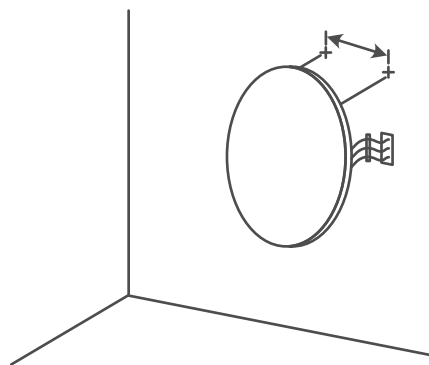
- All our LED mirrors have been independently tested for compliance with electrical equipment (safety) regulations.
- All illuminated and backlit mirrors are IP44 rated.
- Illuminated mirrors have been designed and independently tested for compliance to electrical equipment (safety) regulations, and are UL Certified.
- LEDs have a life expectancy of 120,000 hours of continuous use. All LED light fittings are replaceable and are available through our customer service.
- IMPORTANT: Always switch off the electrical supply at the mains during installation and maintenance.
- It is recommended that fuse is withdrawn or circuit breaker switched off before installation begins.
- Fitting in Bathrooms is subject to all regulations. It is not suitable for product installations in Saunas, Steam Rooms, or shower cubicles and it is recommended for permanent installation.

Care Safety:

- Wear suitable eye wear protection when drilling. Use caution when using power tools near water, beware of hidden cables or pipes.
- Take care if drilling on tiled surfaces in case the drill slips. A piece of masking tape applied to wall before marking out fixing holes will stop drill from moving.

Cleaning & Maintenance:

- It is recommended that the unit is cleaned with a soft, dry, non-abrasive cloth when turned off.
- Never use cleaning agents or abrasive material on any type of surface finish.
- Do not strike glass components with hard or pointed items.
- Do not place very hot or cold items against or close proximity to glass surfaces.



120V DIMMABLE LED DRIVER INCLUDED

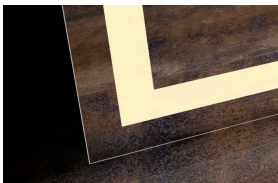
- 1-Decide on wall positional placement.
- 2-Prepare & install wall hooks measured to distance between mirror's
- 3-Match & attach 3 electrical wires from mirror to home electrical wires: Live to Live, Ground to Ground, Neutral to Neutral.
- 4-Hang and affix to wall.

DESCRIPTION

- TYPE: Front-Lit Mirror
- SHAPE: Rectangle
- Dimmable with any standard MLV / TRIAC dimmer wall switch
- CRI 90+
- IP Rating: 44
- 120V wiring
- Approx. 120,000 Hours Lifetime
- Complete UL and cUL Certification
- Hangs horizontally or vertically

AVAILABLE LED COLORS (Kelvin)

3000K



6000K



MODELS AND SPECIFICATIONS

MODELS	PRODUCT NUMBERS	DIMENSIONS	LUMENS	WATTS	WEIGHT
Galaxy Rectangle 24 X 36	LCMIR-GALRE-2436-30/60K	24"W x 36"H x 1.7"D	4960/4970lm	45W	27lbs
Galaxy Rectangle 48 X 28	LCMIR-GALRE-4828-30/60K	48"W x 28"H x 1.7"D	6410/6430lm	58W	41lbs
Galaxy Rectangle 36 X 36	LCMIR-GALRE-3636-30/60K	36"W x 36"H x 1.7"D	5930/5940lm	54W	37lbs
Galaxy Rectangle 40 X 36	LCMIR-GALRE-4036-30/60K	40"W x 36"H x 1.7"D	6410/6430lm	58W	42lbs
Galaxy Rectangle 48 X 36	LCMIR-GALRE-4836-30/60K	48"W x 36"H x 1.7"D	7620/7830lm	65W	49lbs
Galaxy Rectangle 55 X 36	LCMIR-GALRE-5536-30/60K	55"W x 36"H x 1.7"D	8280/8510lm	70W	57lbs
Galaxy Rectangle 65 X 28	LCMIR-GALRE-6528-30/60K	65"W x 28"H x 1.7"D	8280/8510lm	70W	54lbs
Galaxy Rectangle 42 X 42	LCMIR-GALRE-4242-30/60K	42"W x 42"H x 1.7"D	7620/7830lm	65W	46lbs
Galaxy Rectangle 60 X 40	LCMIR-GALRE-6040-30/60K	60"W x 40"H x 1.7"D	8930/9180lm	76W	69lbs
Galaxy Rectangle 70 X 32	LCMIR-GALRE-7032-30/60K	70"W x 32"H x 1.7"D	8930/9180lm	76W	66lbs
Galaxy Rectangle 60 X 45	LCMIR-GALRE-6045-30/60K	60"W x 45"H x 1.7"D	8960/9920lm	81W	75lbs
Galaxy Rectangle 85 X 40	LCMIR-GALRE-8540-30/60K	85"W x 40"H x 1.7"D	10890/10910lm	98W	93lbs
Galaxy Rectangle 100 X 45	LCMIR-GALRE-10045-30/60K	100"W x 45"H x 1.7"D	12830/12860lm	116W	121lbs



COLOR RENDERING INDEX

The color rendering index (CRI) of a light source is a quantitative measure of its ability to reproduce the colors of various objects faithfully in comparison with an ideal or natural light source.

In general terms, CRI is a measure of a light source's ability to show object colors "realistically" or "naturally".

We only use LED CRI 90+.

COLOR TEMPERATURE

We offer 2 different light colors for our mirrors.

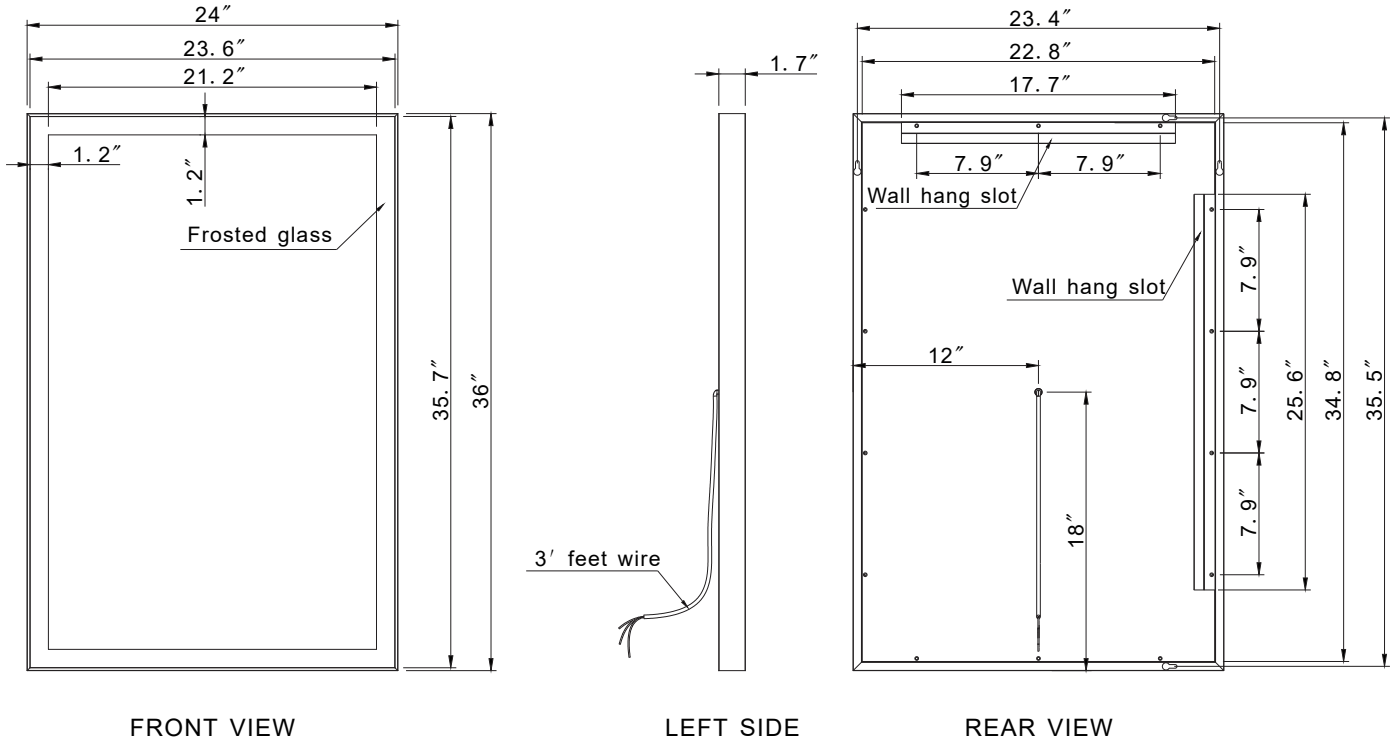
6000K: Pure white color light. It is the most popular color for makeup application and hairstyling.

In addition, the 6000K is 15% brighter than the 3000K light color. 85% of our customers choose the 6000K light color.

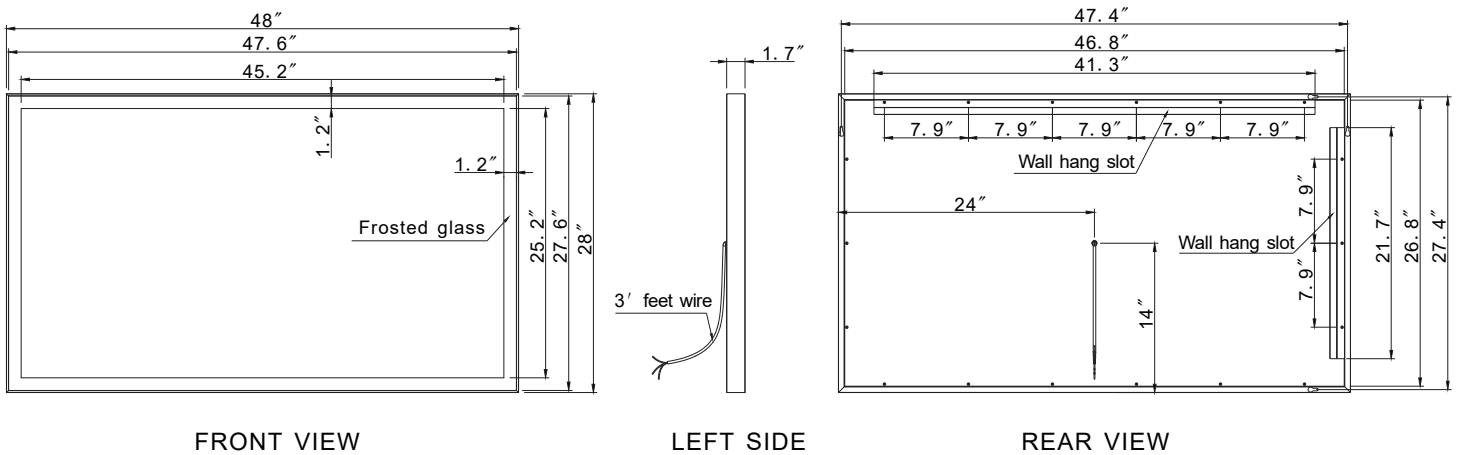
3000K: Warm white color light, the light is a little yellow.



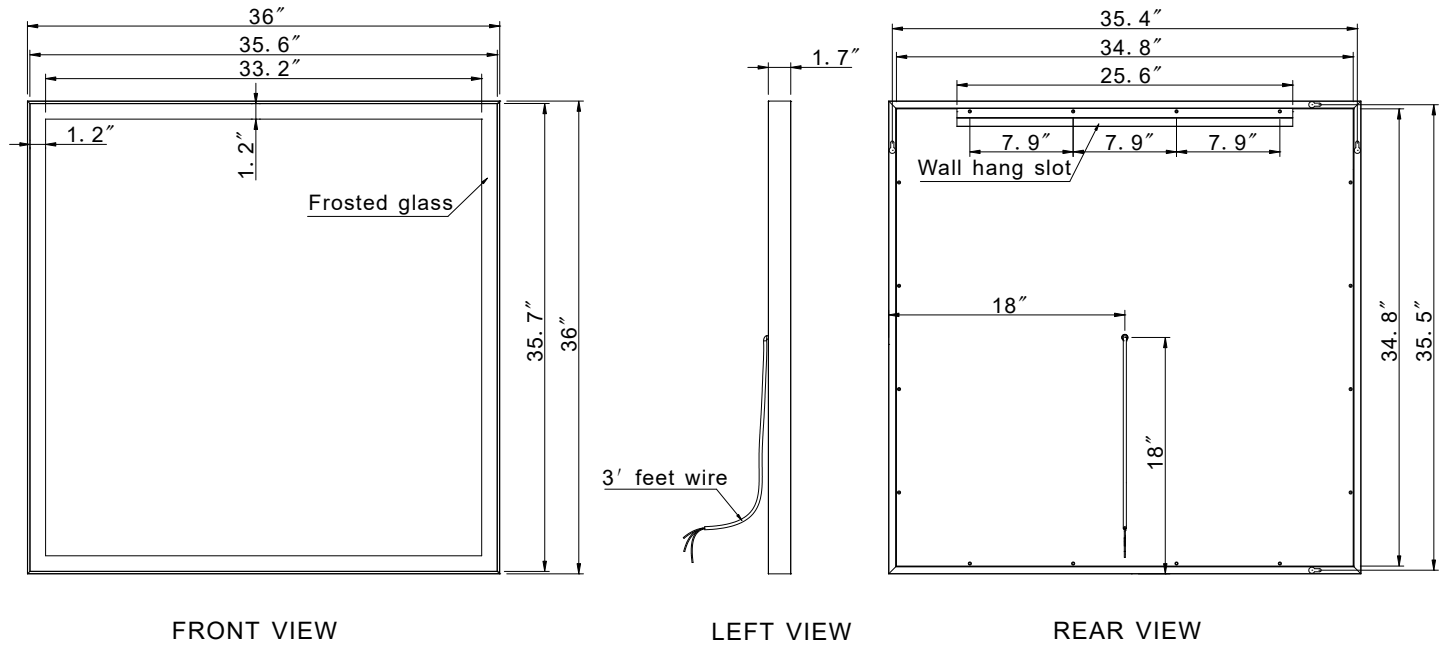
GALAXY RECTANGLE 24 X 36



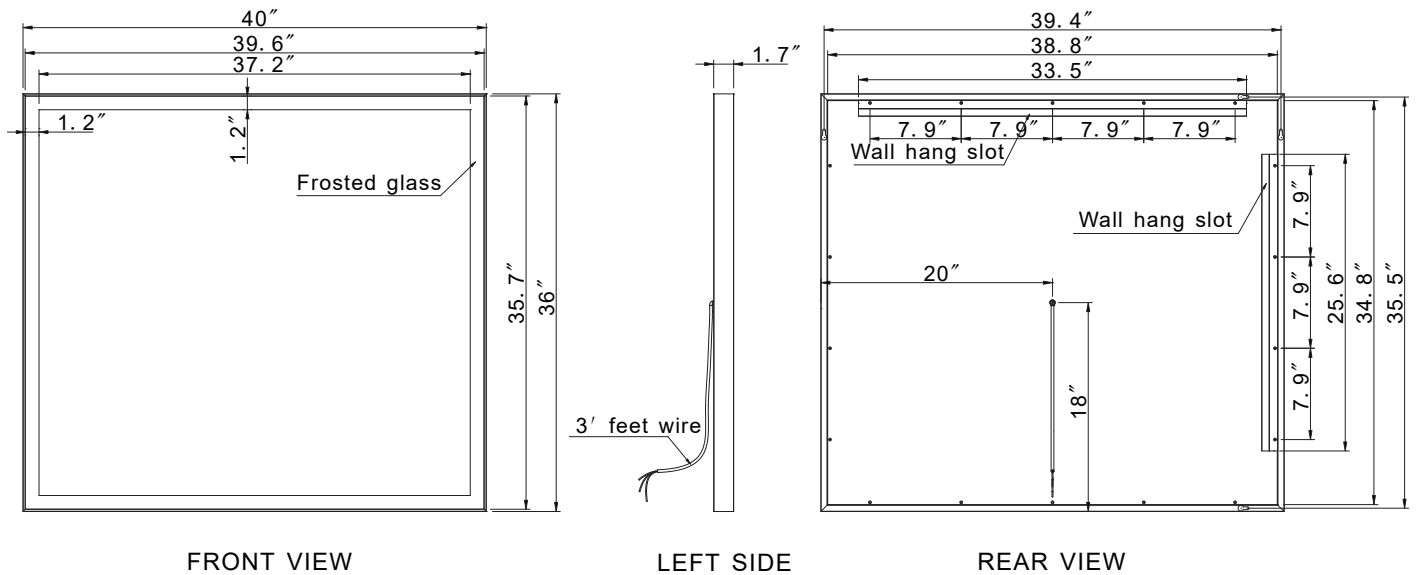
GALAXY RECTANGLE 48 X 28



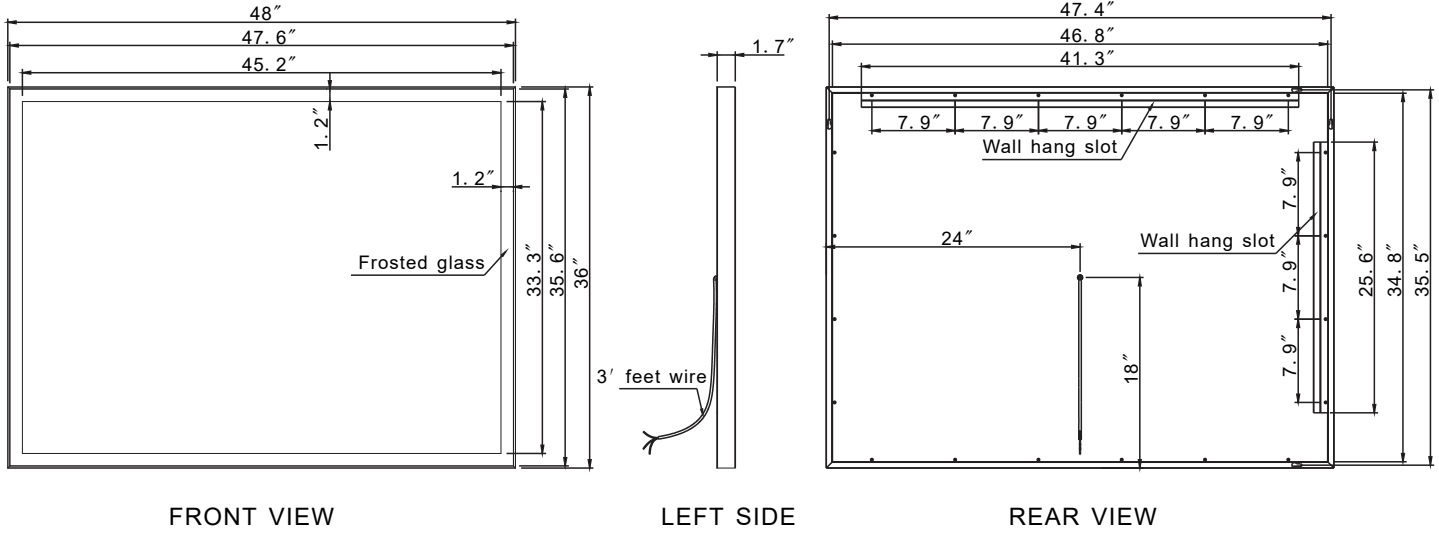
GALAXY RECTANGLE 36 X 36



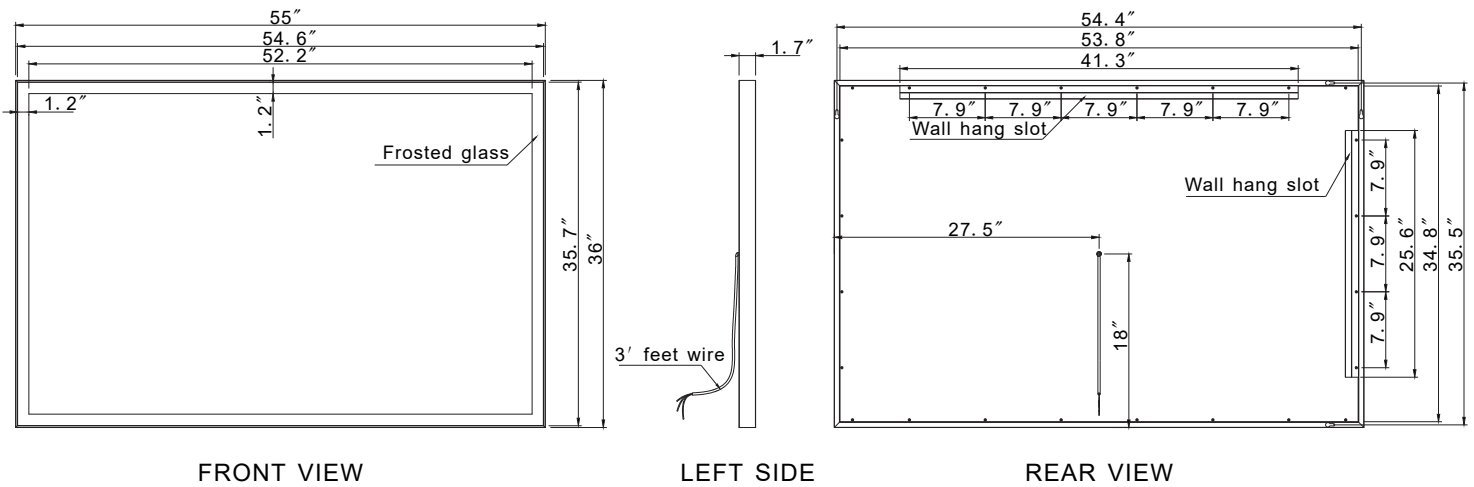
GALAXY RECTANGLE 40 X 36



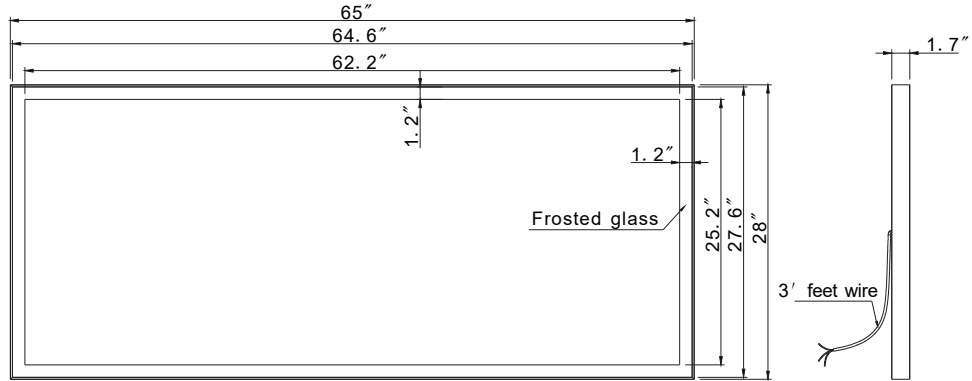
GALAXY RECTANGLE 48 X 36



GALAXY RECTANGLE 55 X 36

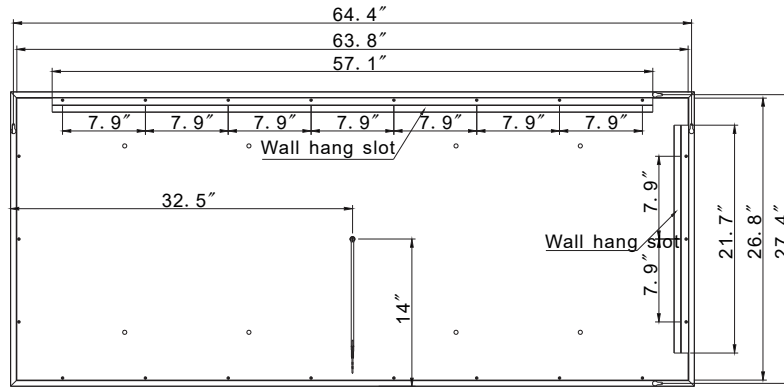


GALAXY RECTANGLE 65 X 28



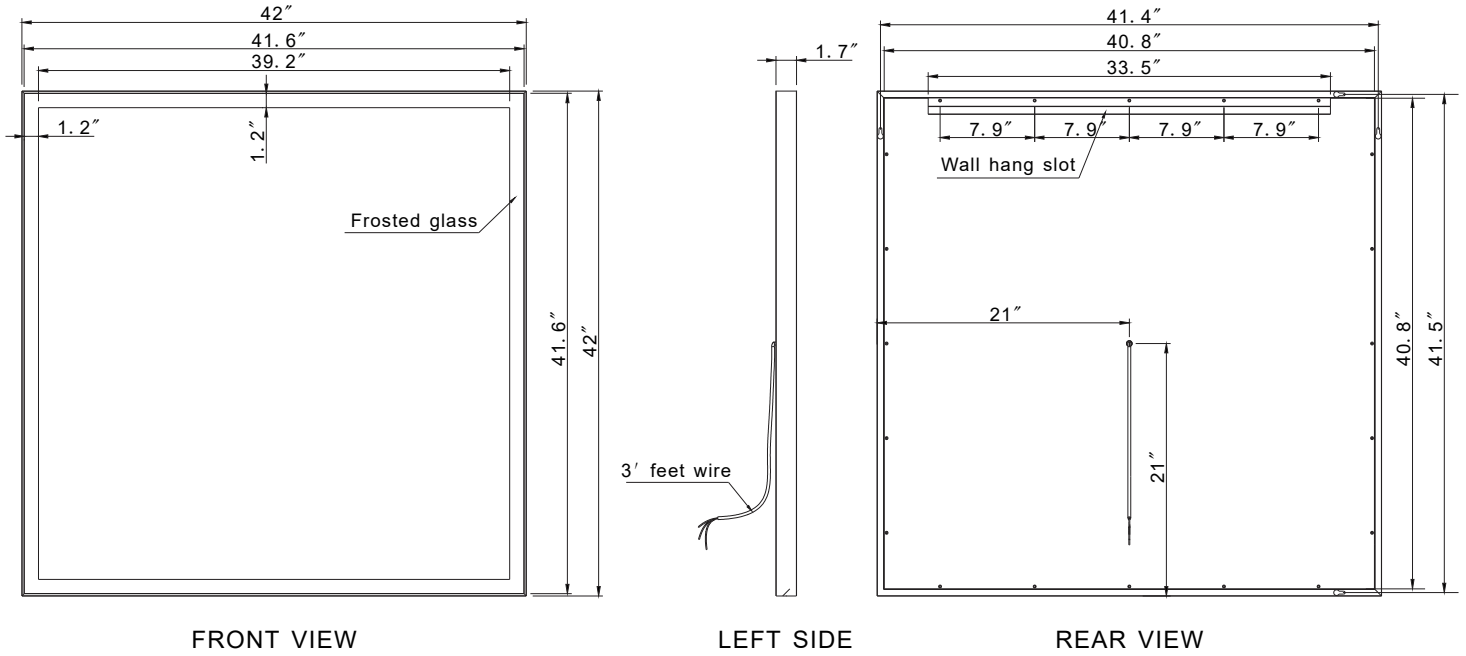
FRONT VIEW

LEFT SIDE

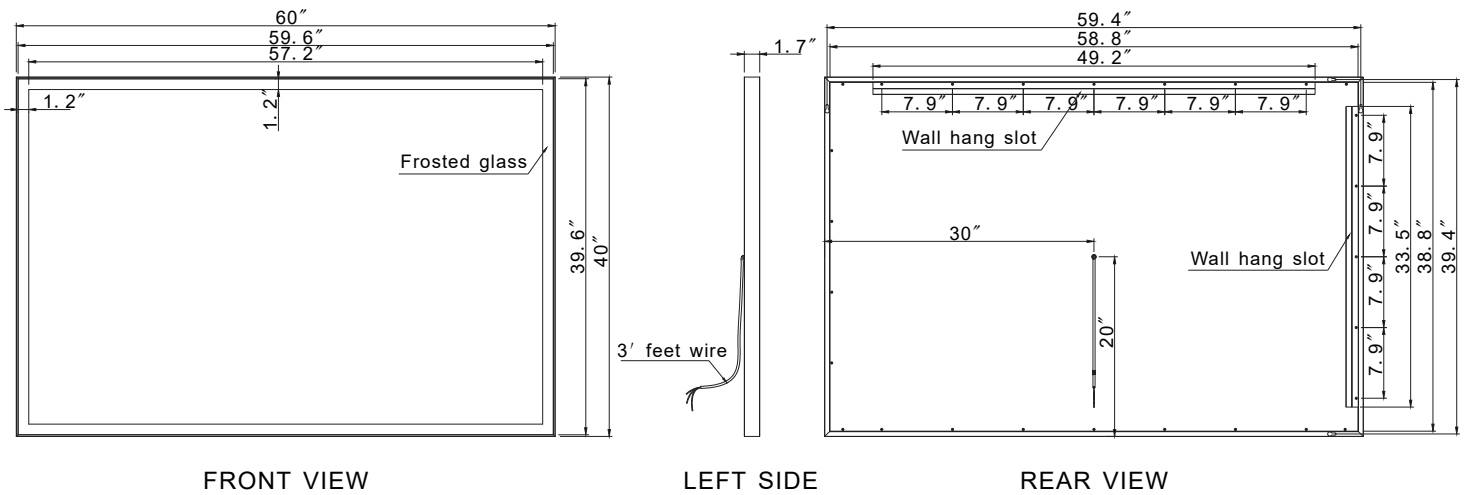


REAR VIEW

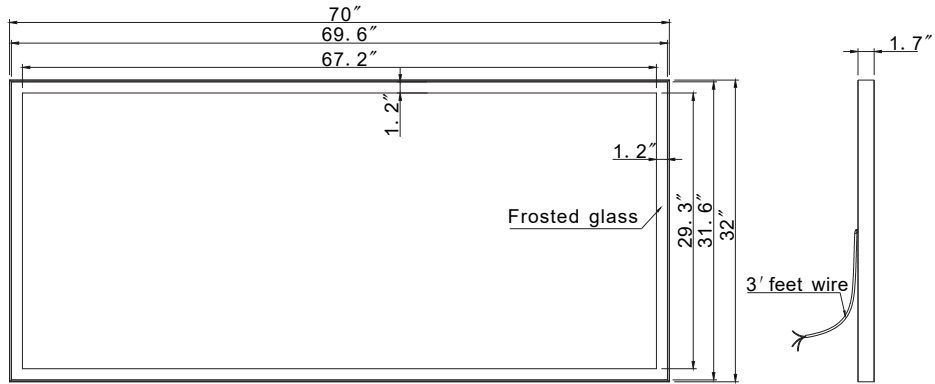
GALAXY RECTANGLE 42 X 42



GALAXY RECTANGLE 60 X 40

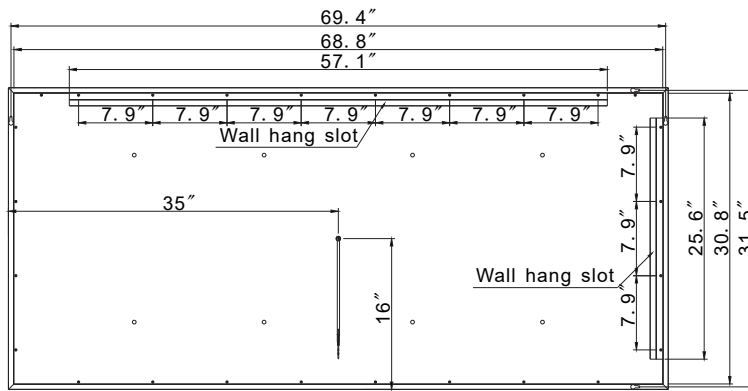


GALAXY RECTANGLE 70 X 32



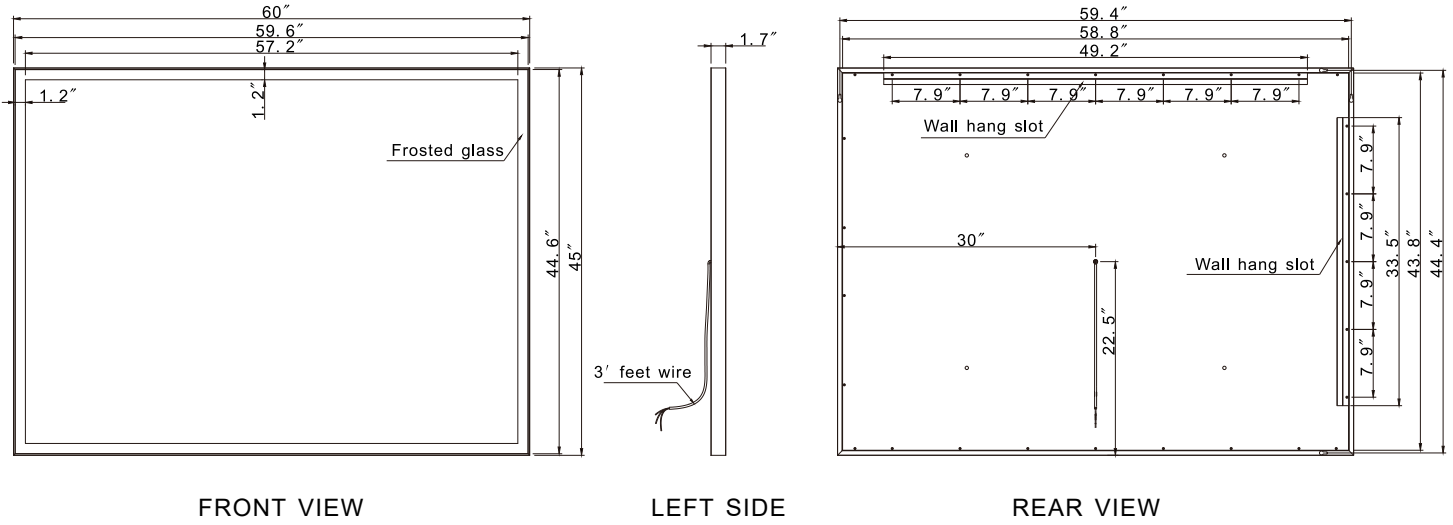
FRONT VIEW

LEFT SIDE

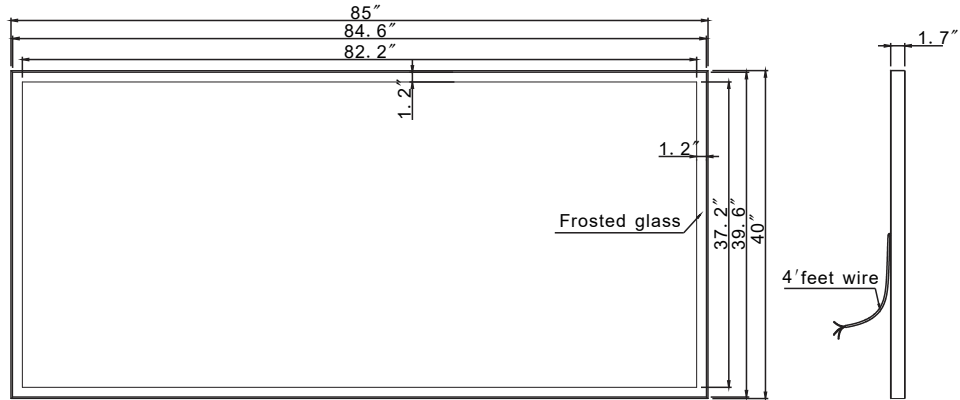


REAR VIEW

GALAXY RECTANGLE 60 X 45

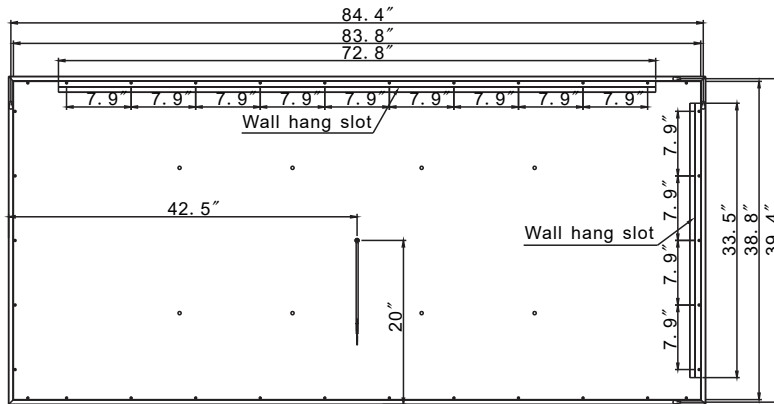


GALAXY RECTANGLE 85 X 40



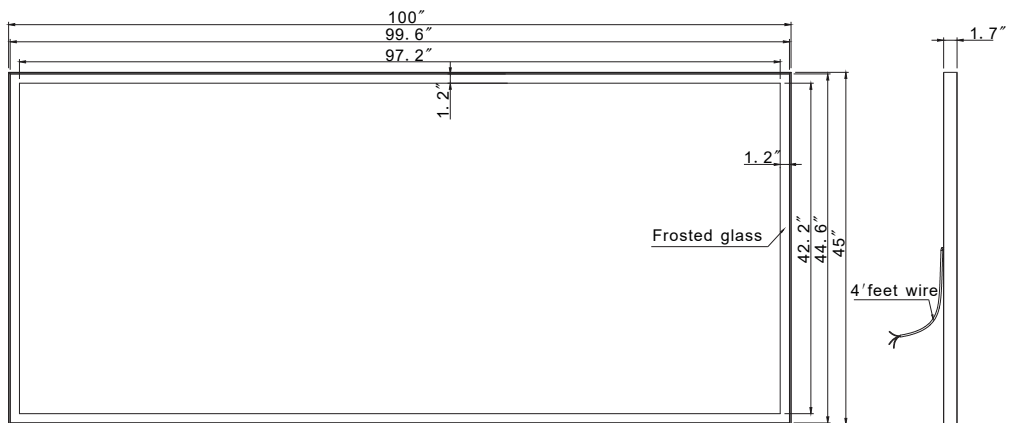
FRONT VIEW

LEFT SIDE



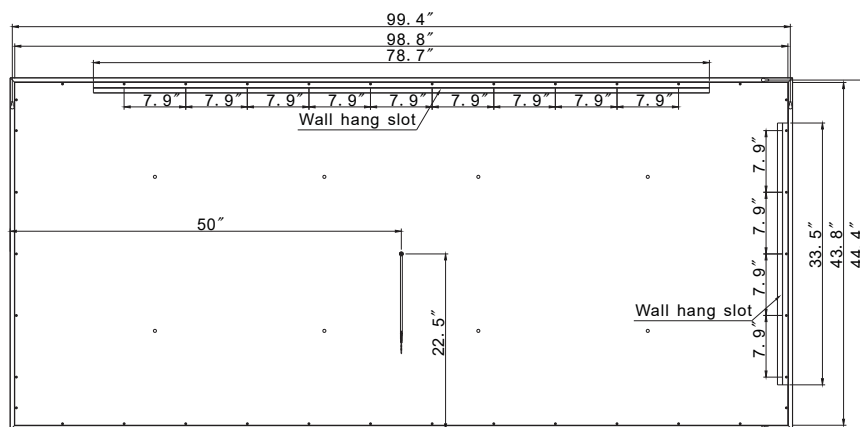
REAR VIEW

GALAXY RECTANGLE 100 X 45



FRONT VIEW

LEFT SIDE



REAR VIEW

INSTALLATION & AFTER CARE INSTRUCTIONS

Installation:

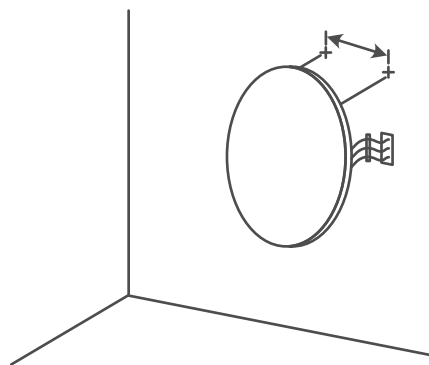
- All our LED mirrors have been independently tested for compliance with electrical equipment (safety) regulations.
- All illuminated and backlit mirrors are IP44 rated.
- Illuminated mirrors have been designed and independently tested for compliance to electrical equipment (safety) regulations, and are UL Certified.
- LEDs have a life expectancy of 120,000 hours of continuous use. All LED light fittings are replaceable and are available through our customer service.
- IMPORTANT: Always switch off the electrical supply at the mains during installation and maintenance.
- It is recommended that fuse is withdrawn or circuit breaker switched off before installation begins.
- Fitting in Bathrooms is subject to all regulations. It is not suitable for product installations in Saunas, Steam Rooms, or shower cubicles and it is recommended for permanent installation.

Care Safety:

- Wear suitable eye wear protection when drilling. Use caution when using power tools near water, beware of hidden cables or pipes.
- Take care if drilling on tiled surfaces in case the drill slips. A piece of masking tape applied to wall before marking out fixing holes will stop drill from moving.

Cleaning & Maintenance:

- It is recommended that the unit is cleaned with a soft, dry, non-abrasive cloth when turned off.
- Never use cleaning agents or abrasive material on any type of surface finish.
- Do not strike glass components with hard or pointed items.
- Do not place very hot or cold items against or close proximity to glass surfaces.



120V DIMMABLE LED DRIVER INCLUDED

- 1-Decide on wall positional placement.
- 2-Prepare & install wall hooks measured to distance between mirror's
- 3-Match & attach 3 electrical wires from mirror to home electrical wires: Live to Live, Ground to Ground, Neutral to Neutral.
- 4-Hang and affix to wall.

DESCRIPTION

- TYPE: Illuminated Mirror
- SHAPE: Rectangle
- Dimmable with any standard MLV / TRIAC dimmer wall switch
- CRI 90+
- IP Rating: 44
- 120V wiring
- Approx. 120,000 Hours Lifetime
- Complete UL and cUL Certification
- Hangs horizontally or vertically

AVAILABLE LED COLORS (Kelvin)

3000K



6000K



MODELS AND SPECIFICATIONS

MODELS	PRODUCT NUMBERS	DIMENSIONS	LUMENS	WATTS	WEIGHT
Verano 24 X 32	LCMIR-VER-2432-30/60K	24"W x 32"H x 1.6"D	3100/3190lm	27W	23lbs
Verano 48 X 28	LCMIR-VER-4828-30/60K	48"W x 28"H x 1.6"D	2770/2850lm	24W	40lbs
Verano 32 X 48	LCMIR-VER-3248-30/60K	32"W x 48"H x 1.6"D	4140/4250lm	35W	45lbs
Verano 24 X 65	LCMIR-VER-2465-30/60K	24"W x 65"H x 1.6"D	5930/5940lm	54W	54lbs
Verano 60 X 35	LCMIR-VER-6035-30/60K	60"W x 35"H x 1.6"D	4140/4250lm	35W	60lbs



COLOR RENDERING INDEX

The color rendering index (CRI) of a light source is a quantitative measure of its ability to reproduce the colors of various objects faithfully in comparison with an ideal or natural light source.

In general terms, CRI is a measure of a light source's ability to show object colors "realistically" or "naturally".

We only use LED CRI 90+.

COLOR TEMPERATURE

We offer 2 different light colors for our mirrors.

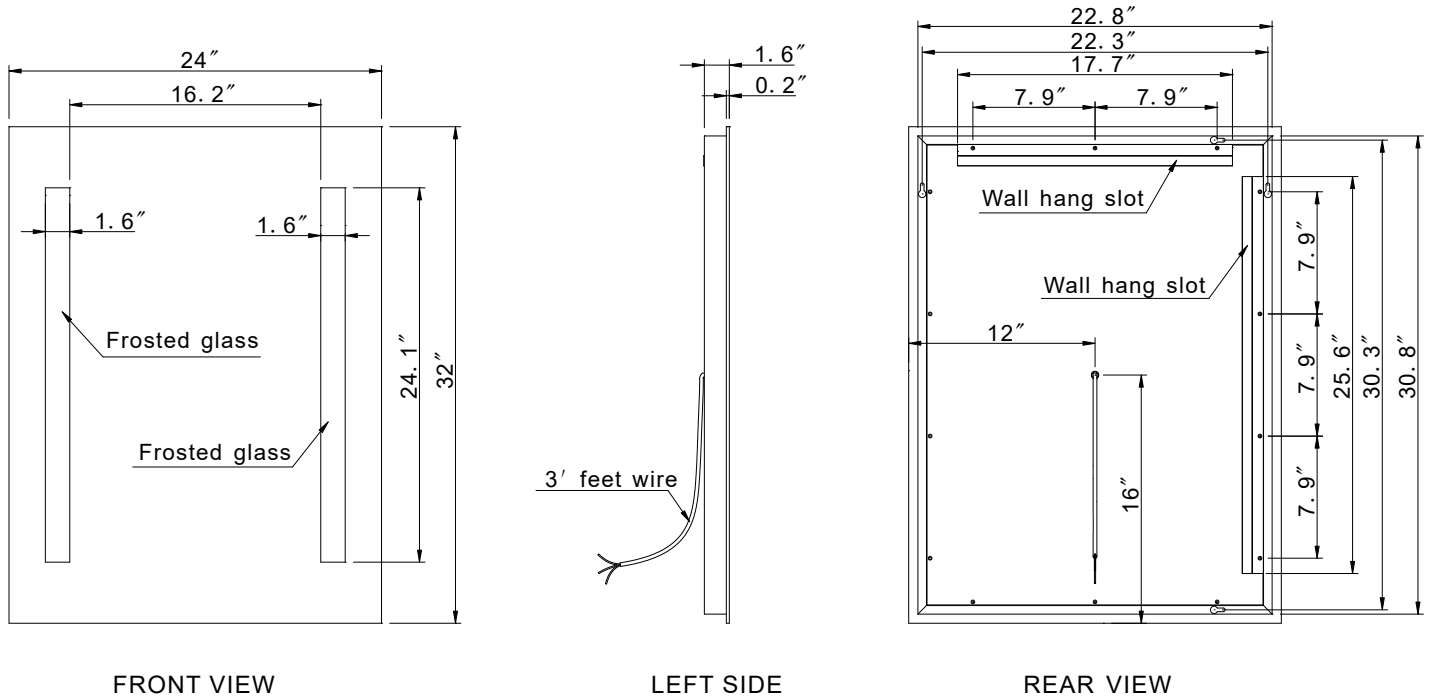
6000K: Pure white color light. It is the most popular color for makeup application and hairstyling.

In addition, the 6000K is 15% brighter than the 3000K light color. 85% of our customers choose the 6000K light color.

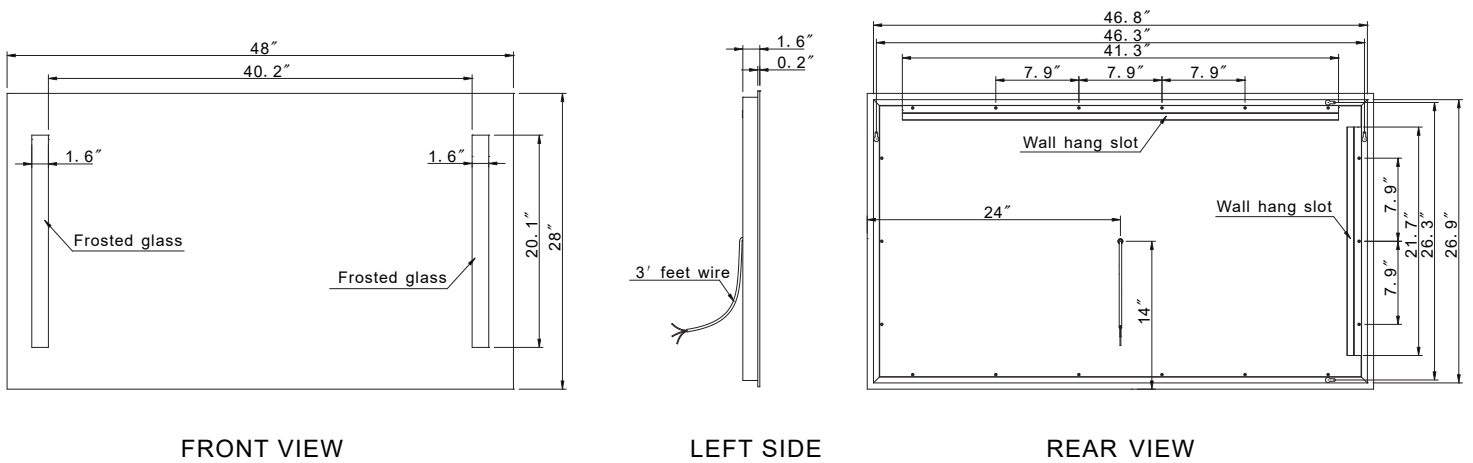
3000K: Warm white color light, the light is a little yellow.



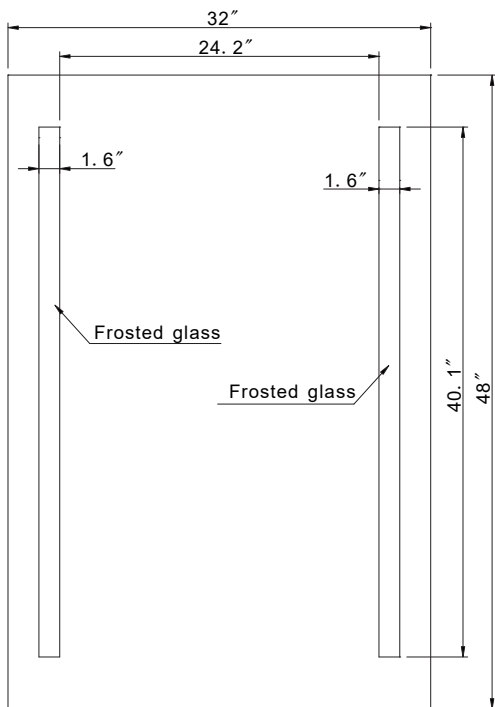
VERANO 24 X 32



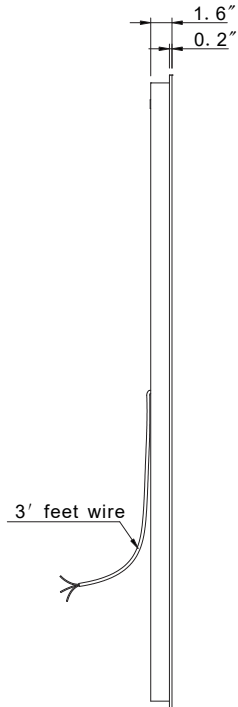
VERANO 48 X 28



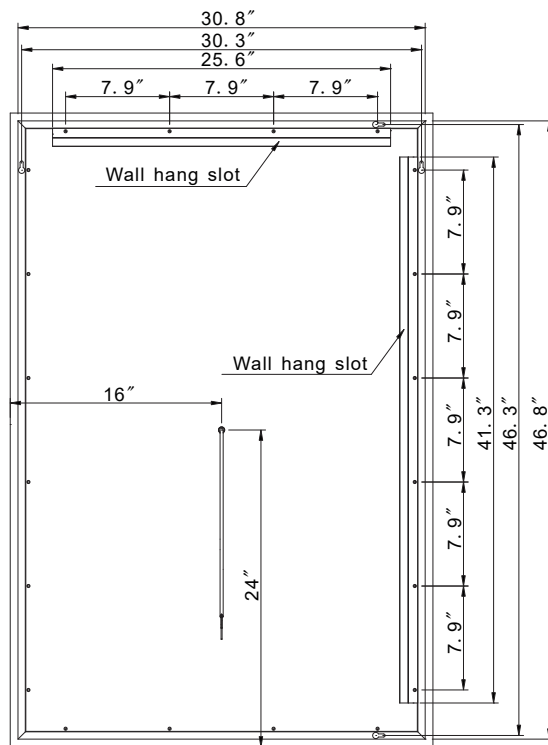
VERANO 32 X 48



FRONT VIEW

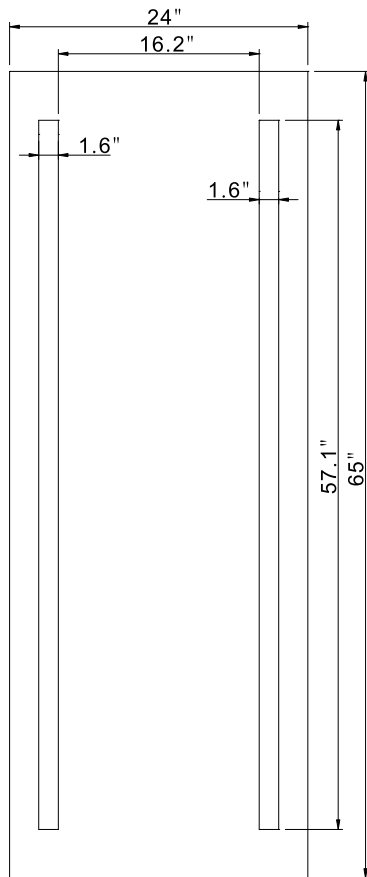


LEFT SIDE

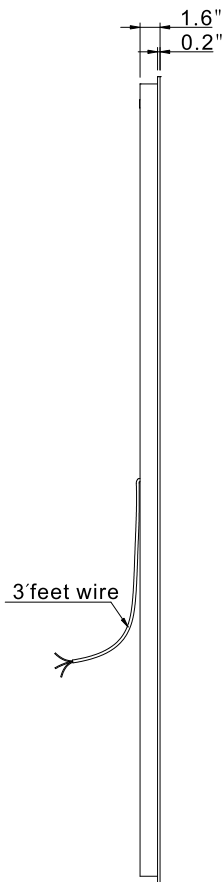


REAR VIEW

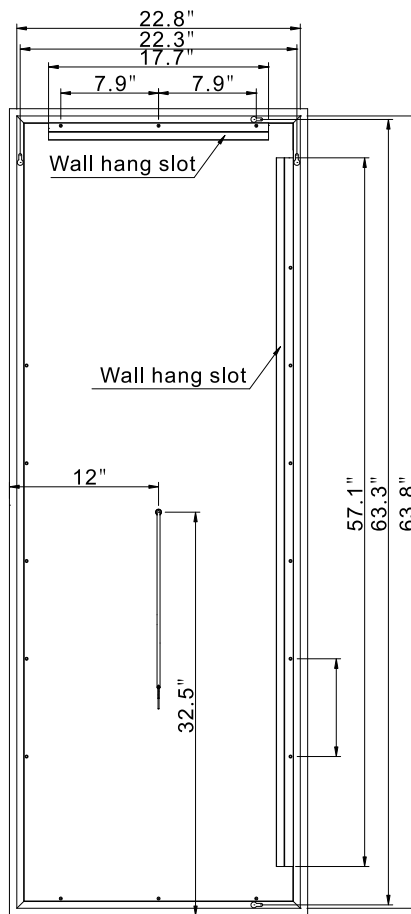
VERANO 24 X 65



FRONT VIEW

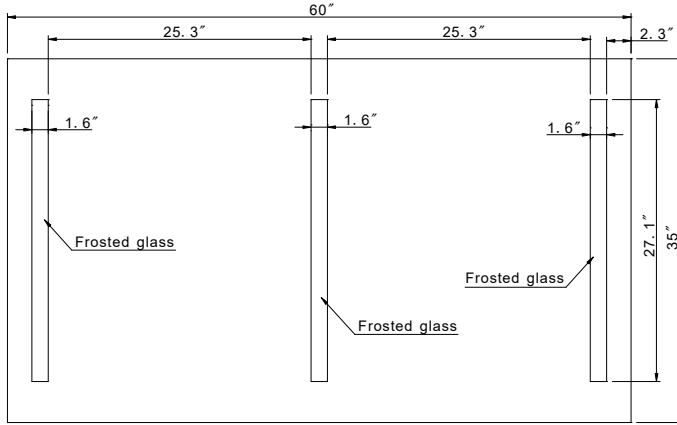


LEFT SIDE

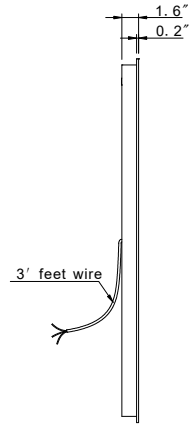


REAR VIEW

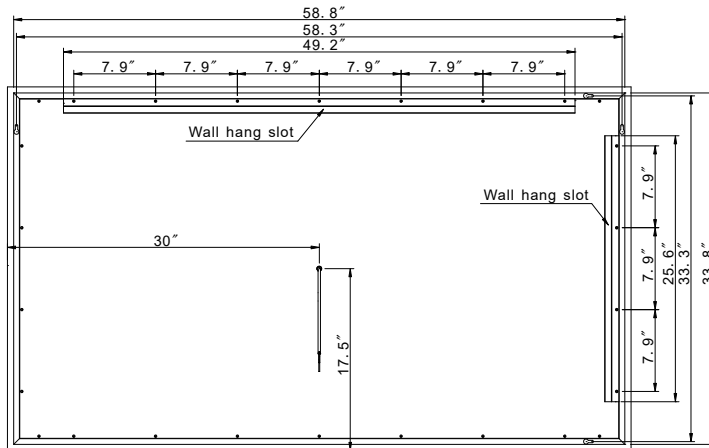
VERANO 60 X 35



FRONT VIEW



LEFT SIDE



REAR VIEW

INSTALLATION & AFTER CARE INSTRUCTIONS

Installation:

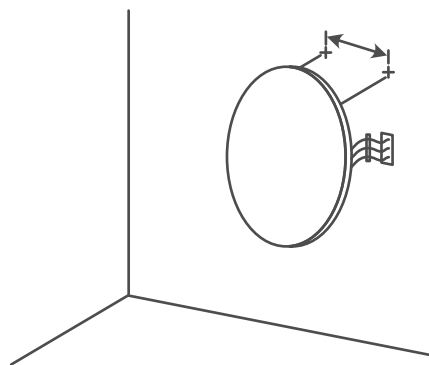
- All our LED mirrors have been independently tested for compliance with electrical equipment (safety) regulations.
- All illuminated and backlit mirrors are IP44 rated.
- Illuminated mirrors have been designed and independently tested for compliance to electrical equipment (safety) regulations, and are UL Certified.
- LEDs have a life expectancy of 120,000 hours of continuous use. All LED light fittings are replaceable and are available through our customer service.
- IMPORTANT: Always switch off the electrical supply at the mains during installation and maintenance.
- It is recommended that fuse is withdrawn or circuit breaker switched off before installation begins.
- Fitting in Bathrooms is subject to all regulations. It is not suitable for product installations in Saunas, Steam Rooms, or shower cubicles and it is recommended for permanent installation.

Care Safety:

- Wear suitable eye wear protection when drilling. Use caution when using power tools near water, beware of hidden cables or pipes.
- Take care if drilling on tiled surfaces in case the drill slips. A piece of masking tape applied to wall before marking out fixing holes will stop drill from moving.

Cleaning & Maintenance:

- It is recommended that the unit is cleaned with a soft, dry, non-abrasive cloth when turned off.
- Never use cleaning agents or abrasive material on any type of surface finish.
- Do not strike glass components with hard or pointed items.
- Do not place very hot or cold items against or close proximity to glass surfaces.



120V DIMMABLE LED DRIVER INCLUDED

- 1-Decide on wall positional placement.
- 2-Prepare & install wall hooks measured to distance between mirror's
- 3-Match & attach 3 electrical wires from mirror to home electrical wires: Live to Live, Ground to Ground, Neutral to Neutral.
- 4-Hang and affix to wall.

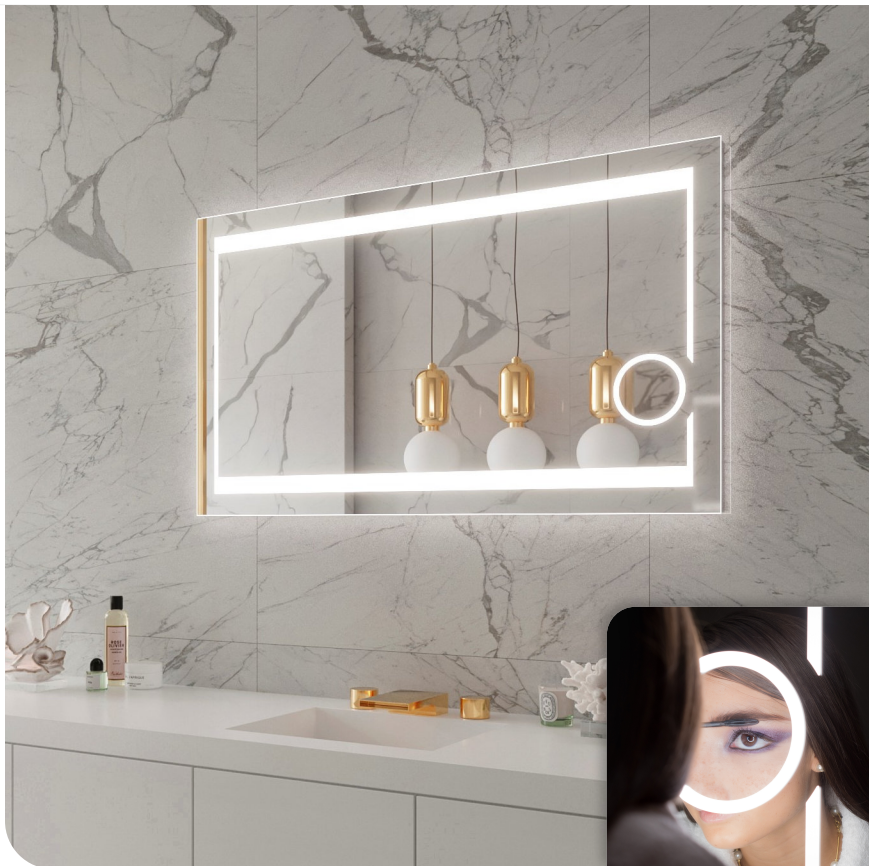
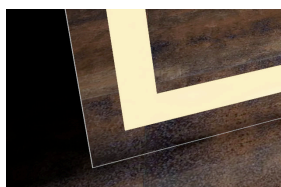
DESCRIPTION

- TYPE: Front-Lit Mirror
- SHAPE: Rectangle
- Dimmable with any standard MLV / TRIAC dimmer wall switch
- CRI 90+
- IP Rating: 44
- 120V wiring
- Approx. 120,000 Hours Lifetime
- Complete UL and cUL Certification
- Hangs horizontally or vertically

AVAILABLE LED COLORS (Kelvin)

3000K

6000K



MODELS AND SPECIFICATIONS

MODELS	PRODUCT NUMBERS	DIMENSIONS	LUMENS	WATTS	WEIGHT
Aurora 24 X 32	LCMIR-AUR-2432-30/60K	24"W x 32"H x 1.6"D	4960/4970lm	45W	24lbs
Aurora 48 X 28	LCMIR-AUR-4828-30/60K	48"W x 28"H x 1.6"D	6410/6430lm	58W	40lbs
Aurora 60 X 28	LCMIR-AUR-6028-30/60K	60"W x 28"H x 1.6"D	9920/9940lm	90W	49lbs





COLOR RENDERING INDEX

The color rendering index (CRI) of a light source is a quantitative measure of its ability to reproduce the colors of various objects faithfully in comparison with an ideal or natural light source.

In general terms, CRI is a measure of a light source's ability to show object colors "realistically" or "naturally".

We only use LED CRI 90+.

COLOR TEMPERATURE

We offer 2 different light colors for our mirrors.

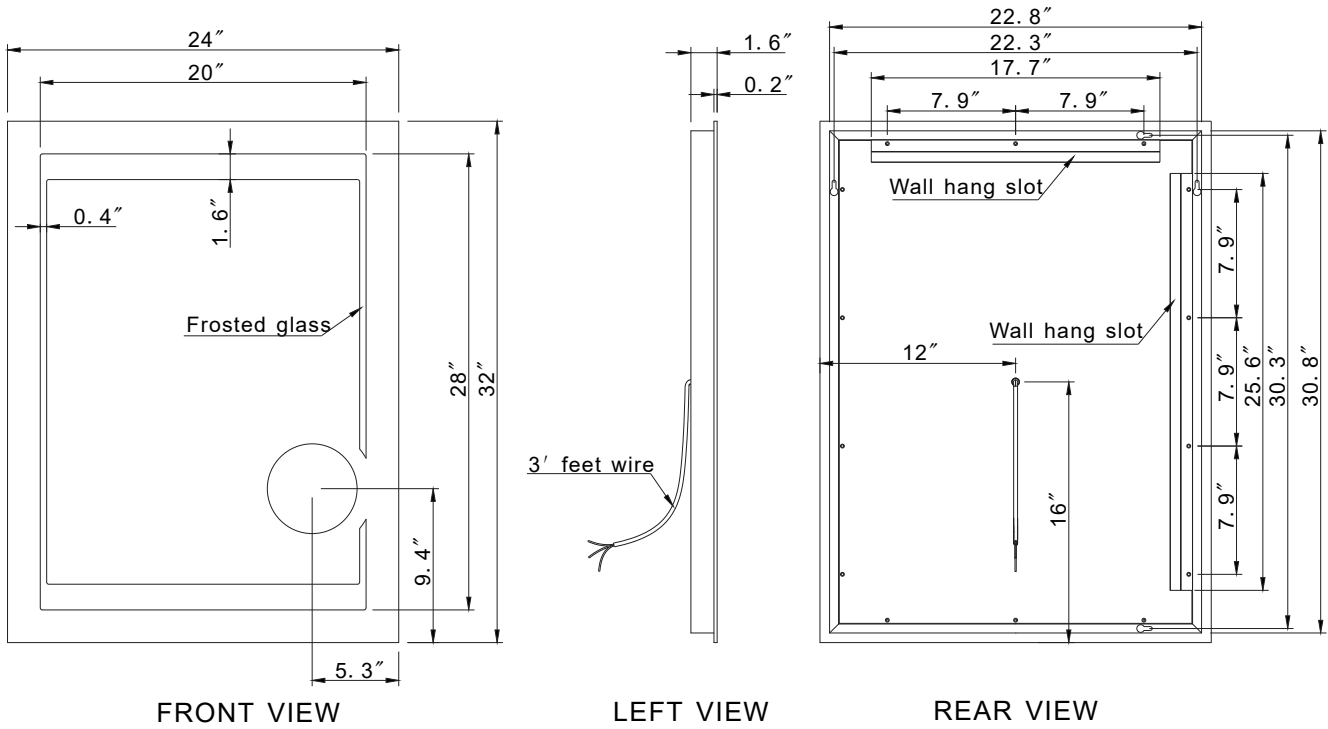
6000K: Pure white color light. It is the most popular color for makeup application and hairstyling.

In addition, the 6000K is 15% brighter than the 3000K light color. 85% of our customers choose the 6000K light color.

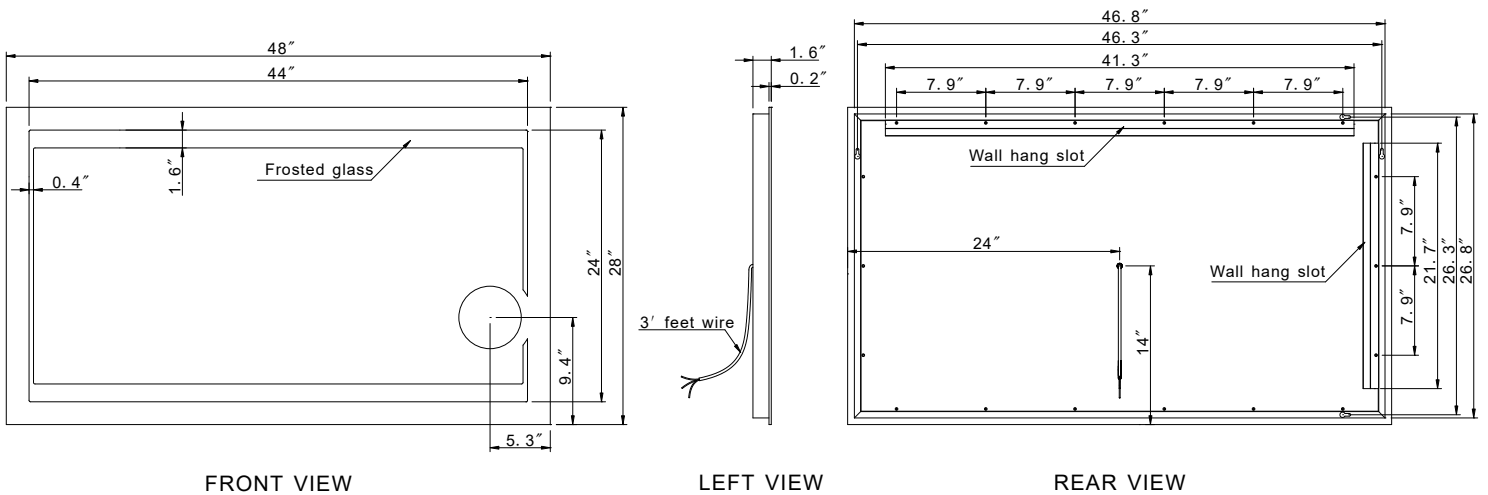
3000K: Warm white color light, the light is a little yellow.



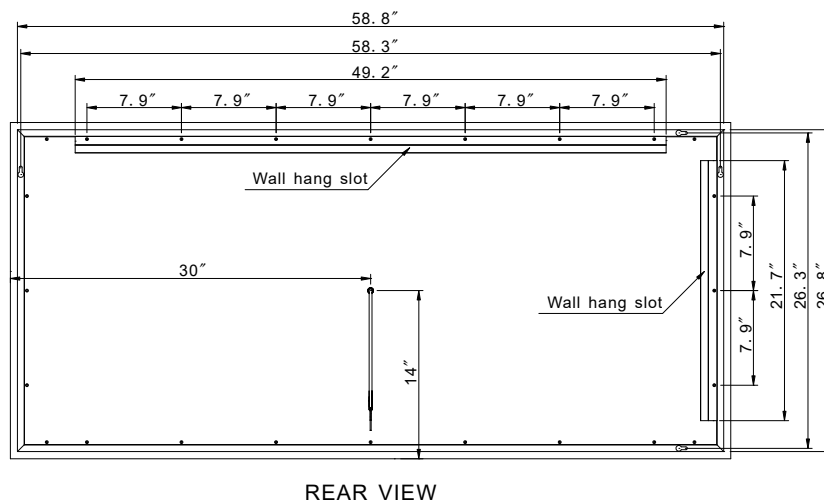
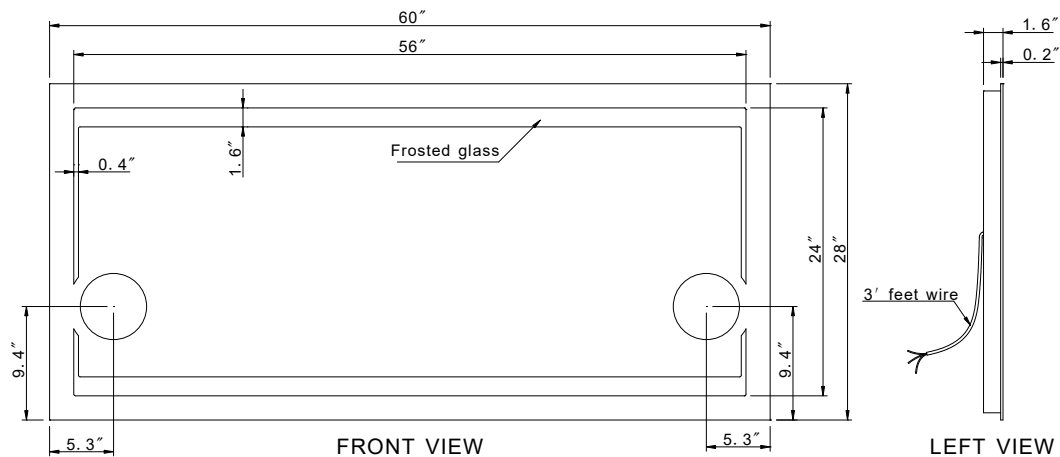
AURORA 24 X 32



AURORA 48 X 28



AURORA 60 X 28



INSTALLATION & AFTER CARE INSTRUCTIONS

Installation:

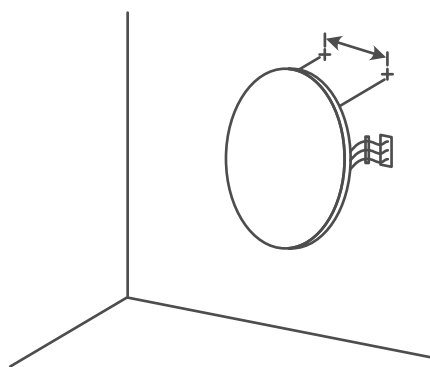
- All our LED mirrors have been independently tested for compliance with electrical equipment (safety) regulations.
- All illuminated and backlit mirrors are IP44 rated.
- Illuminated mirrors have been designed and independently tested for compliance to electrical equipment (safety) regulations, and are UL Certified.
- LEDs have a life expectancy of 120,000 hours of continuous use. All LED light fittings are replaceable and are available through our customer service.
- IMPORTANT: Always switch off the electrical supply at the mains during installation and maintenance.
- It is recommended that fuse is withdrawn or circuit breaker switched off before installation begins.
- Fitting in Bathrooms is subject to all regulations. It is not suitable for product installations in Saunas, Steam Rooms, or shower cubicles and it is recommended for permanent installation.

Care Safety:

- Wear suitable eye wear protection when drilling. Use caution when using power tools near water, beware of hidden cables or pipes.
- Take care if drilling on tiled surfaces in case the drill slips. A piece of masking tape applied to wall before marking out fixing holes will stop drill from moving.

Cleaning & Maintenance:

- It is recommended that the unit is cleaned with a soft, dry, non-abrasive cloth when turned off.
- Never use cleaning agents or abrasive material on any type of surface finish.
- Do not strike glass components with hard or pointed items.
- Do not place very hot or cold items against or close proximity to glass surfaces.



120V DIMMABLE LED DRIVER INCLUDED

- 1-Decide on wall positional placement.
- 2-Prepare & install wall hooks measured to distance between mirror's
- 3-Match & attach 3 electrical wires from mirror to home electrical wires: Live to Live, Ground to Ground, Neutral to Neutral.
- 4-Hang and affix to wall.

DESCRIPTION

- TYPE: Illuminated Mirror
- SHAPE: Square
- Dimmable with any standard MLV / TRIAC dimmer wall switch
- CRI 90+
- IP Rating: 44
- 120V wiring
- Approx. 120,000 Hours Lifetime
- Complete UL and cUL Certification
- Hangs horizontally or vertically

AVAILABLE LED COLORS (Kelvin)

3000K

6000K



MODELS AND SPECIFICATIONS

MODELS	PRODUCT NUMBERS	DIMENSIONS	LUMENS	WATTS	WEIGHT
Galaxy II 24 X 36	LCMIR-GAL2-2436-30/60K	24"W x 36"H x 1.7"D	3450/3550lm	29W	27lbs
Galaxy II 48 X 36	LCMIR-GAL2-4836-30/60K	48"W x 36"H x 1.7"D	3450/3550lm	29W	51lbs
Galaxy II 60 X 36	LCMIR-GAL2-6036-30/60K	60"W x 36"H x 1.7"D	5930/5940lm	54W	62lbs



COLOR RENDERING INDEX

The color rendering index (CRI) of a light source is a quantitative measure of its ability to reproduce the colors of various objects faithfully in comparison with an ideal or natural light source.

In general terms, CRI is a measure of a light source's ability to show object colors "realistically" or "naturally".

We only use LED CRI 90+.

COLOR TEMPERATURE

We offer 2 different light colors for our mirrors.

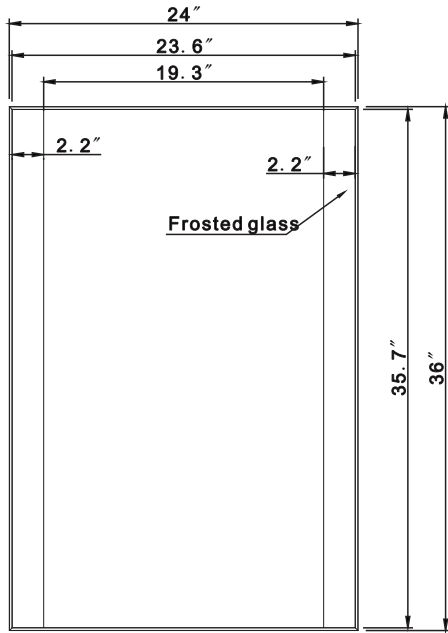
6000K: Pure white color light. It is the most popular color for makeup application and hairstyling.

In addition, the 6000K is 15% brighter than the 3000K light color. 85% of our customers choose the 6000K light color.

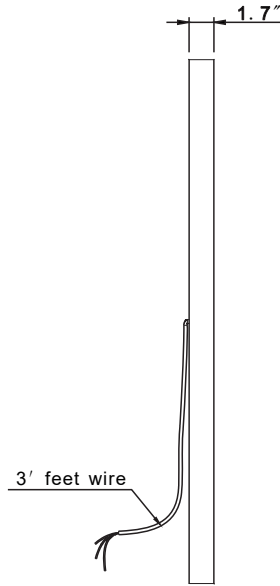
3000K: Warm white color light, the light is a little yellow.



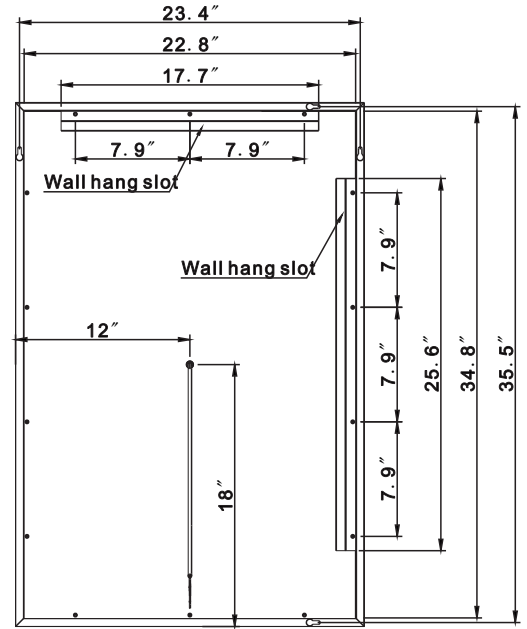
GALAXY II 24 X 36



FRONT VIEW

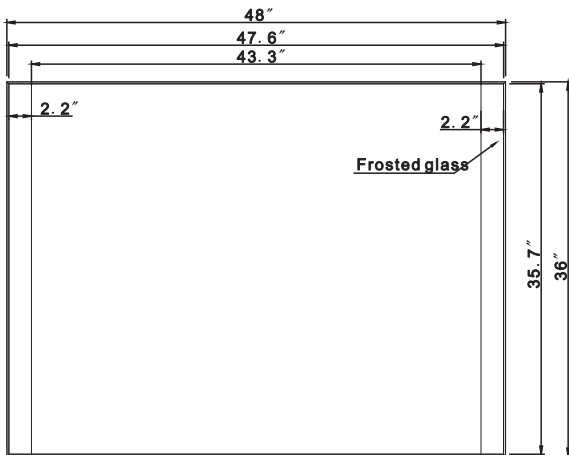


LEFT SIDE

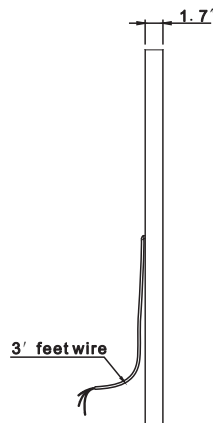


REAR VIEW

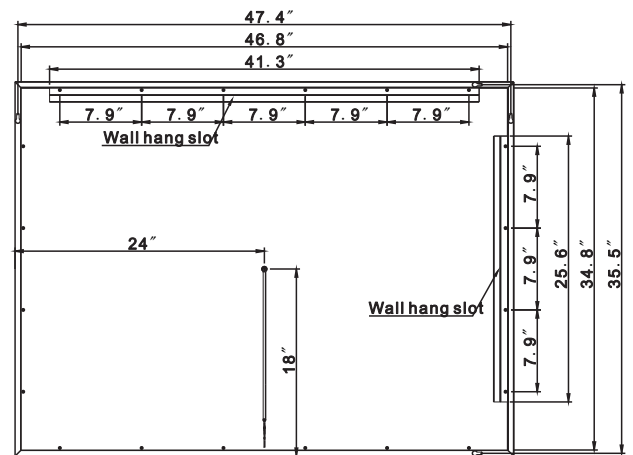
GALAXY II 48 X 36



FRONT VIEW

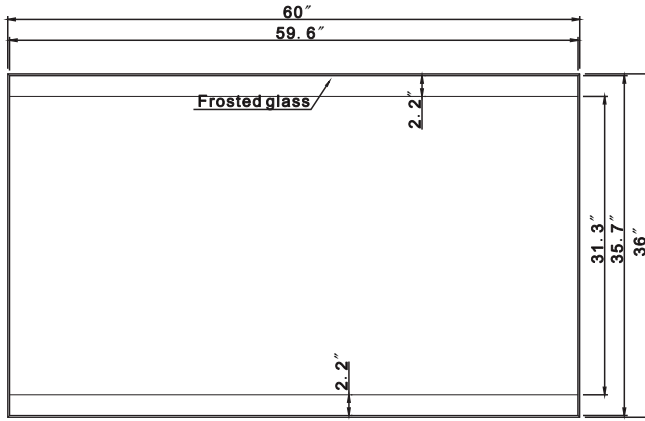


LEFT SIDE

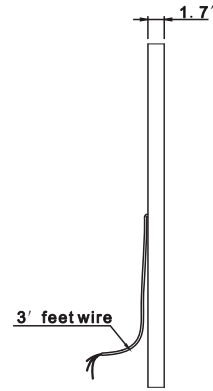


REAR VIEW

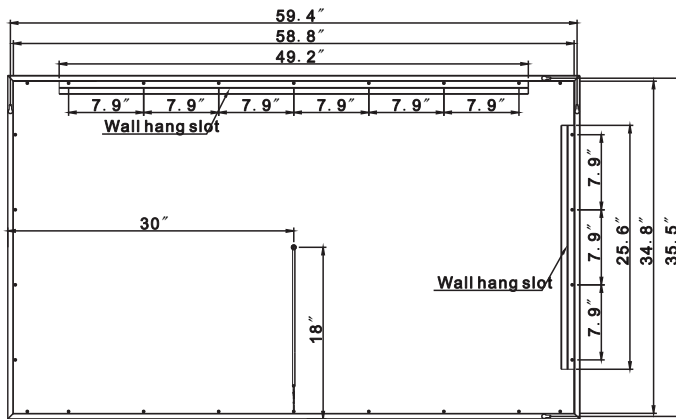
GALAXY II 60 X 36



FRONT VIEW



LEFT SIDE



REAR VIEW

INSTALLATION & AFTER CARE INSTRUCTIONS

Installation:

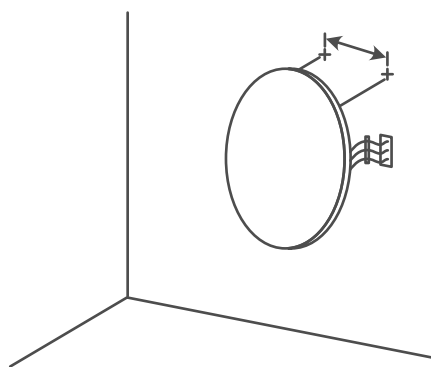
- All our LED mirrors have been independently tested for compliance with electrical equipment (safety) regulations.
- All illuminated and backlit mirrors are IP44 rated.
- Illuminated mirrors have been designed and independently tested for compliance to electrical equipment (safety) regulations, and are UL Certified.
- LEDs have a life expectancy of 120,000 hours of continuous use. All LED light fittings are replaceable and are available through our customer service.
- **IMPORTANT:** Always switch off the electrical supply at the mains during installation and maintenance.
- It is recommended that fuse is withdrawn or circuit breaker switched off before installation begins.
- Fitting in Bathrooms is subject to all regulations. It is not suitable for product installations in Saunas, Steam Rooms, or shower cubicles and it is recommended for permanent installation.

Care Safety:

- Wear suitable eye wear protection when drilling. Use caution when using power tools near water, beware of hidden cables or pipes.
- Take care if drilling on tiled surfaces in case the drill slips. A piece of masking tape applied to wall before marking out fixing holes will stop drill from moving.

Cleaning & Maintenance:

- It is recommended that the unit is cleaned with a soft, dry, non-abrasive cloth when turned off.
- Never use cleaning agents or abrasive material on any type of surface finish.
- Do not strike glass components with hard or pointed items.
- Do not place very hot or cold items against or close proximity to glass surfaces.



120V DIMMABLE LED DRIVER INCLUDED

- 1-Decide on wall positional placement.
- 2-Prepare & install wall hooks measured to distance between mirror's
- 3-Match & attach 3 electrical wires from mirror to home electrical wires: Live to Live, Ground to Ground, Neutral to Neutral.
- 4-Hang and affix to wall.

DESCRIPTION

- TYPE: Front-Lit Mirror
- SHAPE: Round
- Dimmable with any standard MLV / TRIAC dimmer wall switch
- CRI 90+
- IP Rating: 44
- 120V wiring
- Approx. 120,000 Hours Lifetime
- Complete UL and cUL Certification

AVAILABLE LED COLORS (Kelvin)

3000K

6000K



MODELS AND SPECIFICATIONS

MODELS	PRODUCT NUMBERS	DIMENSIONS	LUMENS	WATTS	WEIGHT
Harmony Round 36 X 36	LCMIR-HARRO-3636-30/60K	36"W x 36"H x 1.6"D	4140/4250lm	35W	26lbs
Harmony Round 44 X 44	LCMIR-HARRO-4444-30/60K	44"W x 44"H x 1.6"D	5440/5450lm	49W	37lbs



COLOR RENDERING INDEX

The color rendering index (CRI) of a light source is a quantitative measure of its ability to reproduce the colors of various objects faithfully in comparison with an ideal or natural light source.

In general terms, CRI is a measure of a light source's ability to show object colors "realistically" or "naturally".

We only use LED CRI 90+.

COLOR TEMPERATURE

We offer 2 different light colors for our mirrors.

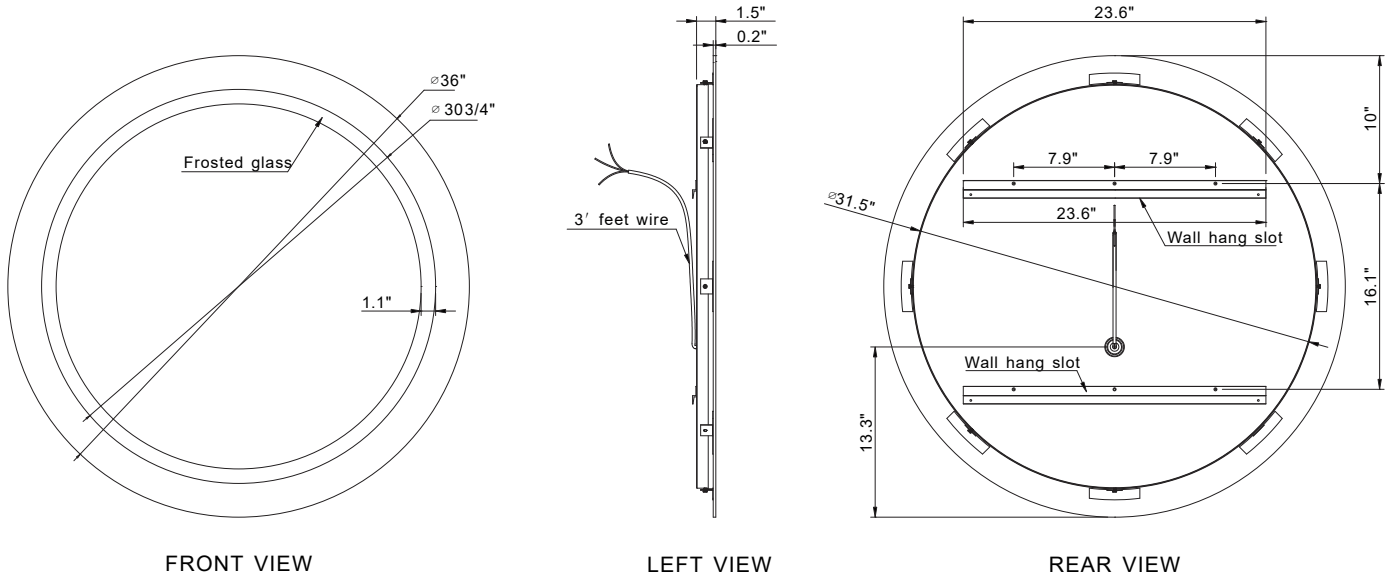
6000K: Pure white color light. It is the most popular color for makeup application and hairstyling.

In addition, the 6000K is 15% brighter than the 3000K light color. 85% of our customers choose the 6000K light color.

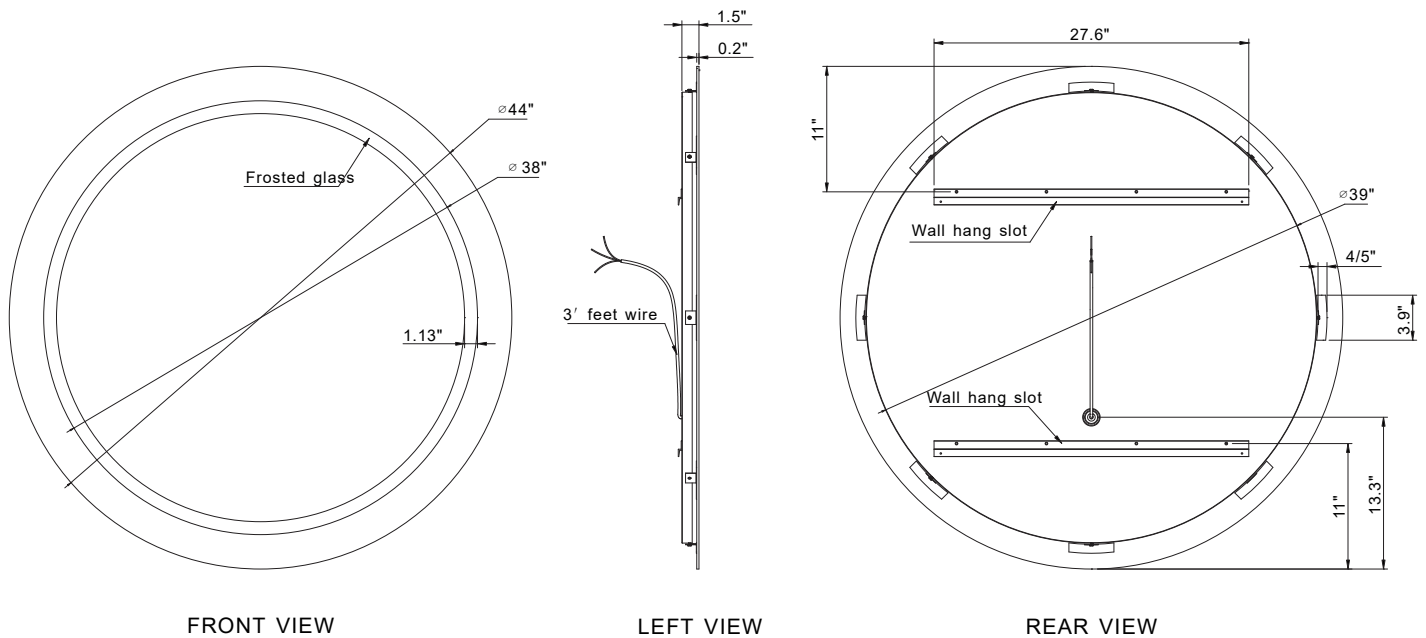
3000K: Warm white color light, the light is a little yellow.



HARMONY ROUND 36 X 36



HARMONY ROUND 44 X 44



INSTALLATION & AFTER CARE INSTRUCTIONS

Installation:

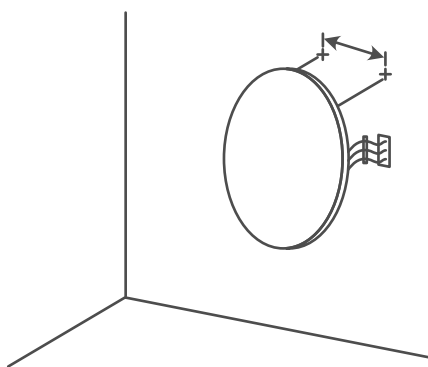
- All our LED mirrors have been independently tested for compliance with electrical equipment (safety) regulations.
- All illuminated and backlit mirrors are IP44 rated.
- Illuminated mirrors have been designed and independently tested for compliance to electrical equipment (safety) regulations, and are UL Certified.
- LEDs have a life expectancy of 120,000 hours of continuous use. All LED light fittings are replaceable and are available through our customer service.
- IMPORTANT: Always switch off the electrical supply at the mains during installation and maintenance.
- It is recommended that fuse is withdrawn or circuit breaker switched off before installation begins.
- Fitting in Bathrooms is subject to all regulations. It is not suitable for product installations in Saunas, Steam Rooms, or shower cubicles and it is recommended for permanent installation.

Care Safety:

- Wear suitable eye wear protection when drilling. Use caution when using power tools near water, beware of hidden cables or pipes.
- Take care if drilling on tiled surfaces in case the drill slips. A piece of masking tape applied to wall before marking out fixing holes will stop drill from moving.

Cleaning & Maintenance:

- It is recommended that the unit is cleaned with a soft, dry, non-abrasive cloth when turned off.
- Never use cleaning agents or abrasive material on any type of surface finish.
- Do not strike glass components with hard or pointed items.
- Do not place very hot or cold items against or close proximity to glass surfaces.



120V DIMMABLE LED DRIVER INCLUDED

- 1-Decide on wall positional placement.
- 2-Prepare & install wall hooks measured to distance between mirror's
- 3-Match & attach 3 electrical wires from mirror to home electrical wires: Live to Live, Ground to Ground, Neutral to Neutral.
- 4-Hang and affix to wall.

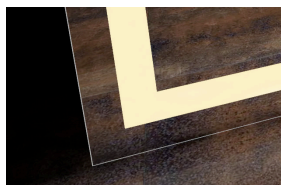
DESCRIPTION

- TYPE: Illuminated Mirror
- SHAPE: Round
- Dimmable with any standard MLV / TRIAC dimmer wall switch
- CRI 90+
- IP Rating: 44
- 120V wiring
- Approx. 120,000 Hours Lifetime
- Complete UL and cUL Certification
- Hangs horizontally or vertically

AVAILABLE LED COLORS (Kelvin)

3000K

6000K



MODELS AND SPECIFICATIONS

MODELS	PRODUCT NUMBERS	DIMENSIONS	LUMENS	WATTS	WEIGHT
Galaxy Round 40 X 40	LCMIR-GALRO-4040-30/60K	40"W x 40"H x 1.7"D	5440/5450lm	49W	33lbs



COLOR RENDERING INDEX

The color rendering index (CRI) of a light source is a quantitative measure of its ability to reproduce the colors of various objects faithfully in comparison with an ideal or natural light source.

In general terms, CRI is a measure of a light source's ability to show object colors "realistically" or "naturally".

We only use LED CRI 90+.

COLOR TEMPERATURE

We offer 2 different light colors for our mirrors.

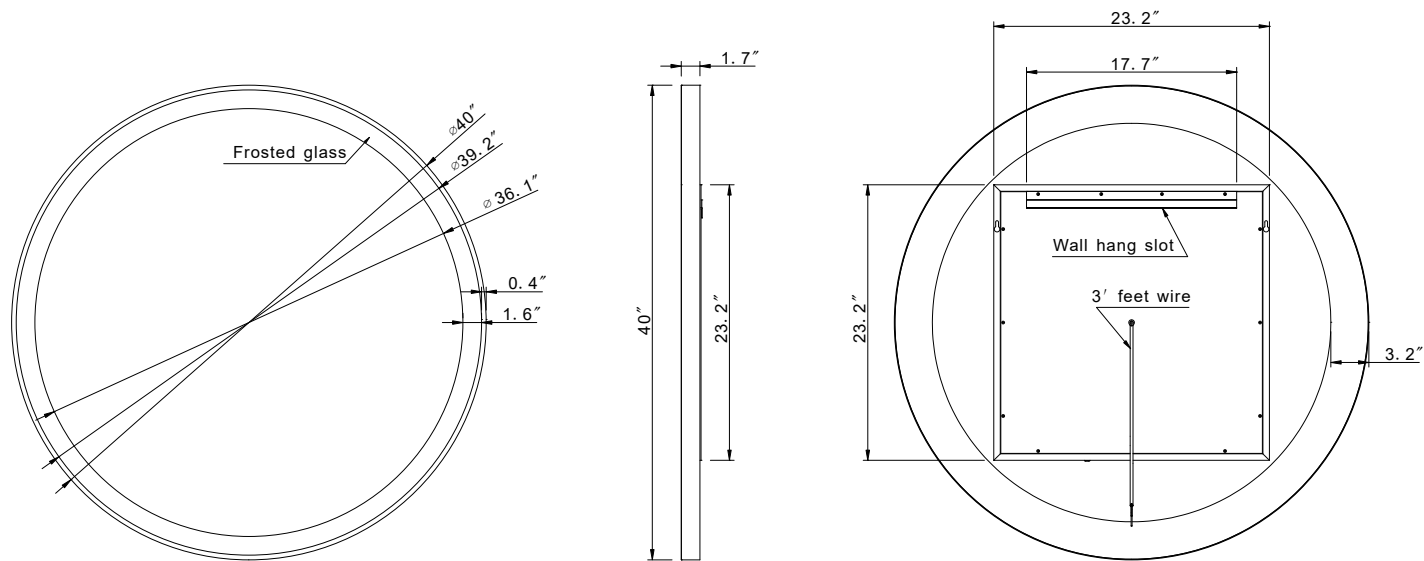
6000K: Pure white color light. It is the most popular color for makeup application and hairstyling.

In addition, the 6000K is 15% brighter than the 3000K light color. 85% of our customers choose the 6000K light color.

3000K: Warm white color light, the light is a little yellow.



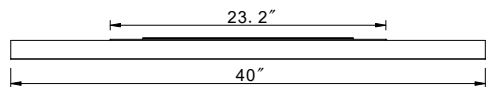
GALAXY ROUND 40 X 40



FRONT VIEW

RIGHT SIDE

REAR VIEW



TOP VIEW

INSTALLATION & AFTER CARE INSTRUCTIONS

Installation:

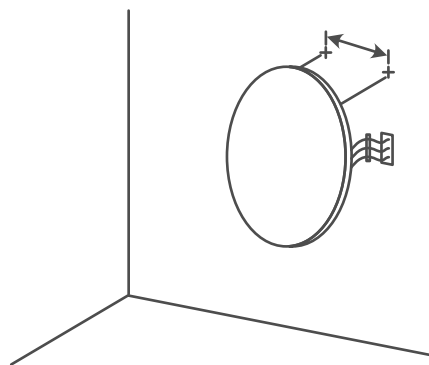
- All our LED mirrors have been independently tested for compliance with electrical equipment (safety) regulations.
- All illuminated and backlit mirrors are IP44 rated.
- Illuminated mirrors have been designed and independently tested for compliance to electrical equipment (safety) regulations, and are UL Certified.
- LEDs have a life expectancy of 120,000 hours of continuous use. All LED light fittings are replaceable and are available through our customer service.
- IMPORTANT: Always switch off the electrical supply at the mains during installation and maintenance.
- It is recommended that fuse is withdrawn or circuit breaker switched off before installation begins.
- Fitting in Bathrooms is subject to all regulations. It is not suitable for product installations in Saunas, Steam Rooms, or shower cubicles and it is recommended for permanent installation.

Care Safety:

- Wear suitable eye wear protection when drilling. Use caution when using power tools near water, beware of hidden cables or pipes.
- Take care if drilling on tiled surfaces in case the drill slips. A piece of masking tape applied to wall before marking out fixing holes will stop drill from moving.

Cleaning & Maintenance:

- It is recommended that the unit is cleaned with a soft, dry, non-abrasive cloth when turned off.
- Never use cleaning agents or abrasive material on any type of surface finish.
- Do not strike glass components with hard or pointed items.
- Do not place very hot or cold items against or close proximity to glass surfaces.



120V DIMMABLE LED DRIVER INCLUDED

- 1-Decide on wall positional placement.
- 2-Prepare & install wall hooks measured to distance between mirror's
- 3-Match & attach 3 electrical wires from mirror to home electrical wires: Live to Live, Ground to Ground, Neutral to Neutral.
- 4-Hang and affix to wall.

DESCRIPTION

- TYPE: Illuminated Mirror
- SHAPE: Oval
- Dimmable with any standard MLV / TRIAC dimmer wall switch
- CRI 90+
- IP Rating: 44
- 120V wiring
- Approx. 120,000 Hours Lifetime
- Complete UL and cUL Certification
- Hangs horizontally or vertically

AVAILABLE LED COLORS (Kelvin)

3000K

6000K



MODELS AND SPECIFICATIONS

MODELS	PRODUCT NUMBERS	DIMENSIONS	LUMENS	WATTS	WEIGHT
Galaxy Oval 24 X 36	LCMIR-GALOV-2436-30/60K	24"W x 36"H x 1.7"D	3810/3910lm	33W	22lbs
Galaxy Oval 30 X 48	LCMIR-GALOV-3048-30/60K	30"W x 48"H x 1.7"D	5440/5450lm	49W	30lbs



COLOR RENDERING INDEX

The color rendering index (CRI) of a light source is a quantitative measure of its ability to reproduce the colors of various objects faithfully in comparison with an ideal or natural light source.

In general terms, CRI is a measure of a light source's ability to show object colors "realistically" or "naturally".

We only use LED CRI 90+.

COLOR TEMPERATURE

We offer 2 different light colors for our mirrors.

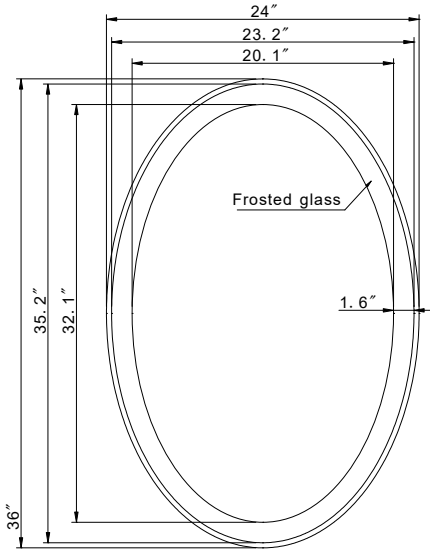
6000K: Pure white color light. It is the most popular color for makeup application and hairstyling.

In addition, the 6000K is 15% brighter than the 3000K light color. 85% of our customers choose the 6000K light color.

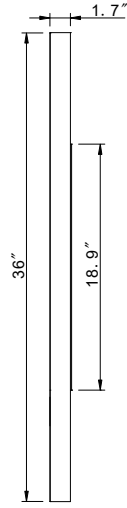
3000K: Warm white color light, the light is a little yellow.



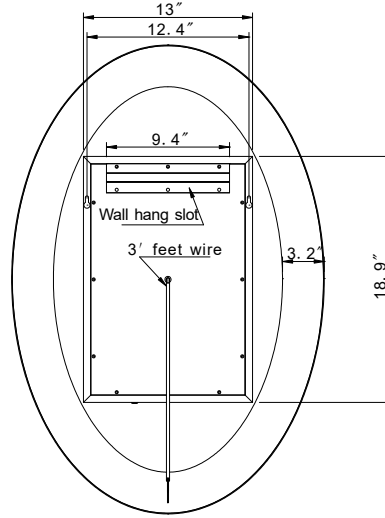
GALAXY OVAL 24 X 36



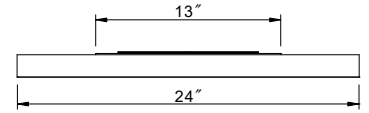
FRONT VIEW



LEFT SIDE

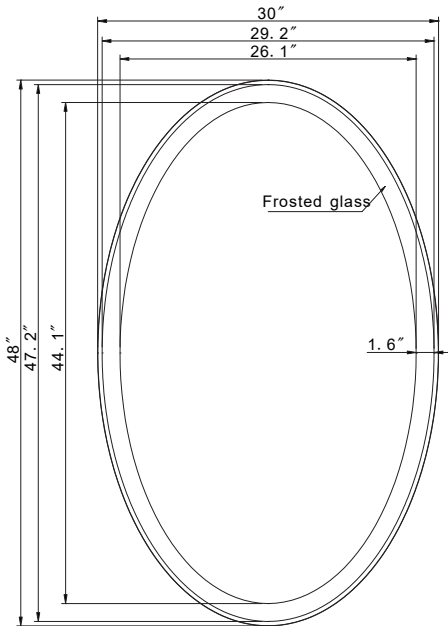


REAR VIEW

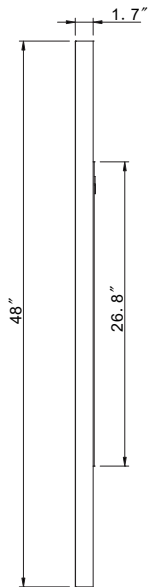


TOP VIEW

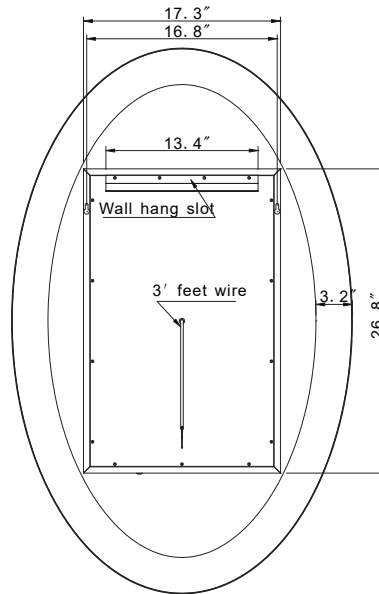
GALAXY OVAL 30 X 48



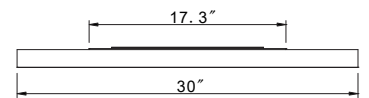
FRONT VIEW



LEFT SIDE



REAR VIEW



TOP VIEW

INSTALLATION & AFTER CARE INSTRUCTIONS

Installation:

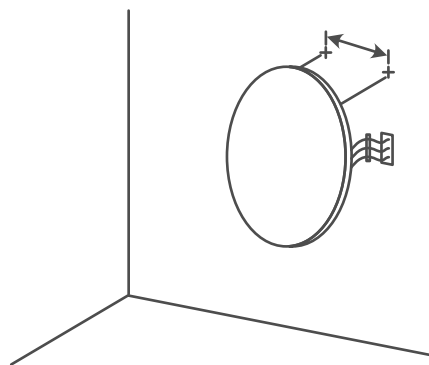
- All our LED mirrors have been independently tested for compliance with electrical equipment (safety) regulations.
- All illuminated and backlit mirrors are IP44 rated.
- Illuminated mirrors have been designed and independently tested for compliance to electrical equipment (safety) regulations, and are UL Certified.
- LEDs have a life expectancy of 120,000 hours of continuous use. All LED light fittings are replaceable and are available through our customer service.
- **IMPORTANT:** Always switch off the electrical supply at the mains during installation and maintenance.
- It is recommended that fuse is withdrawn or circuit breaker switched off before installation begins.
- Fitting in Bathrooms is subject to all regulations. It is not suitable for product installations in Saunas, Steam Rooms, or shower cubicles and it is recommended for permanent installation.

Care Safety:

- Wear suitable eye wear protection when drilling. Use caution when using power tools near water, beware of hidden cables or pipes.
- Take care if drilling on tiled surfaces in case the drill slips. A piece of masking tape applied to wall before marking out fixing holes will stop drill from moving.

Cleaning & Maintenance:

- It is recommended that the unit is cleaned with a soft, dry, non-abrasive cloth when turned off.
- Never use cleaning agents or abrasive material on any type of surface finish.
- Do not strike glass components with hard or pointed items.
- Do not place very hot or cold items against or close proximity to glass surfaces.



120V DIMMABLE LED DRIVER INCLUDED

- 1-Decide on wall positional placement.
- 2-Prepare & install wall hooks measured to distance between mirror's
- 3-Match & attach 3 electrical wires from mirror to home electrical wires: Live to Live, Ground to Ground, Neutral to Neutral.
- 4-Hang and affix to wall.

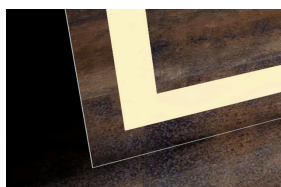
DESCRIPTION

- TYPE: Front-Lit & Back-Lit Mirror
- SHAPE: Rectangle
- Dimmable with any standard MLV / TRIAC dimmer wall switch
- CRI 90+
- IP Rating: 44
- 120V wiring
- Approx. 120,000 Hours Lifetime
- Complete UL and cUL Certification
- Hangs horizontally or vertically

AVAILABLE LED COLORS (Kelvin)

3000K

6000K



MODELS AND SPECIFICATIONS

MODELS	PRODUCT NUMBERS	DIMENSIONS	LUMENS	WATTS	WEIGHT
Classic 48 X 35	LCMIR-CLA-4835-30/60K	48"W x 35"H x 1.6"D	7620/7830lm	65W	49lbs
Classic 60 X 35	LCMIR-CLA-6035-30/60K	60"W x 35"H x 1.6"D	8930/9180lm	76W	59lbs



COLOR RENDERING INDEX

The color rendering index (CRI) of a light source is a quantitative measure of its ability to reproduce the colors of various objects faithfully in comparison with an ideal or natural light source.

In general terms, CRI is a measure of a light source's ability to show object colors "realistically" or "naturally".

We only use LED CRI 90+.

COLOR TEMPERATURE

We offer 2 different light colors for our mirrors.

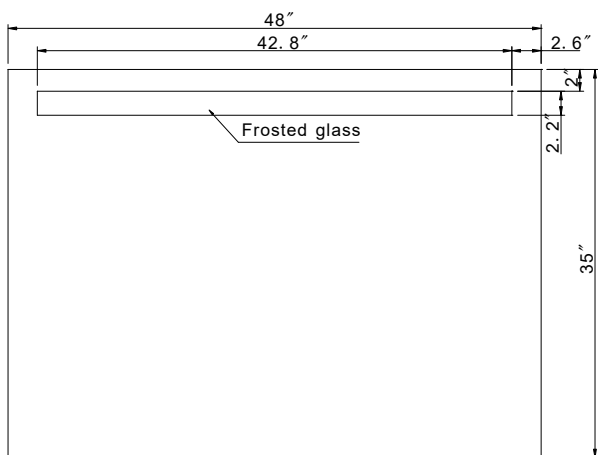
6000K: Pure white color light. It is the most popular color for makeup application and hairstyling.

In addition, the 6000K is 15% brighter than the 3000K light color. 85% of our customers choose the 6000K light color.

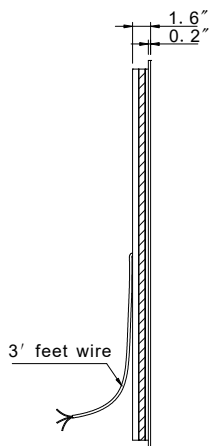
3000K: Warm white color light, the light is a little yellow.



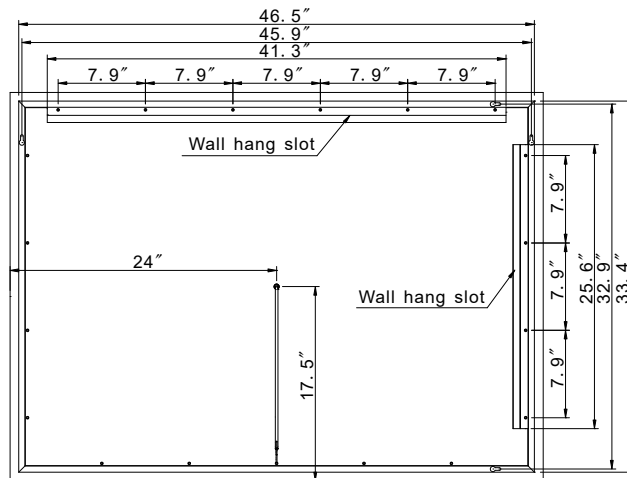
CLASSIC 48 X 35



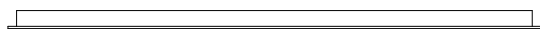
FRONT VIEW



LEFT SIDE

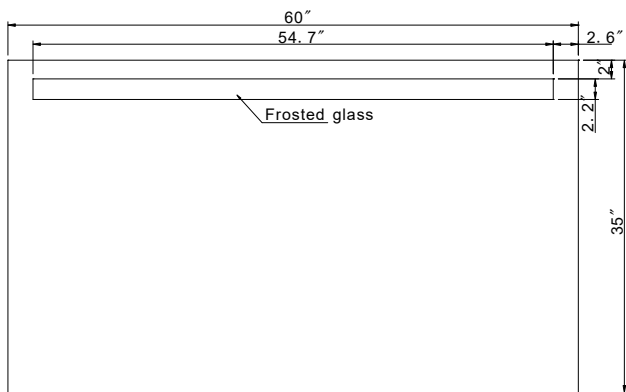


REAR VIEW

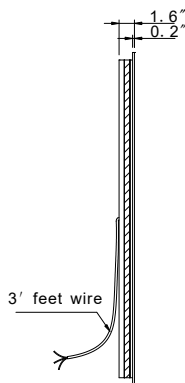


TOP VIEW

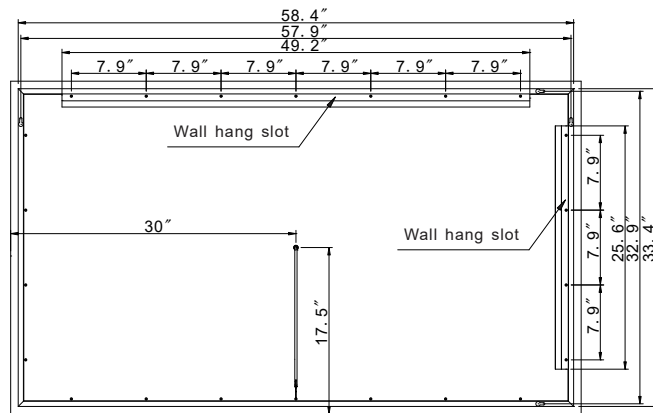
CLASSIC 60 X 35



FRONT VIEW



LEFT SIDE



REAR VIEW



TOP VIEW

INSTALLATION & AFTER CARE INSTRUCTIONS

Installation:

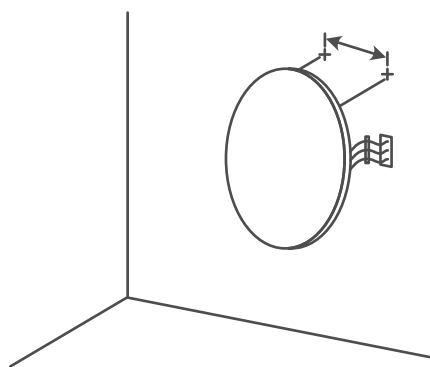
- All our LED mirrors have been independently tested for compliance with electrical equipment (safety) regulations.
- All illuminated and backlit mirrors are IP44 rated.
- Illuminated mirrors have been designed and independently tested for compliance to electrical equipment (safety) regulations, and are UL Certified.
- LEDs have a life expectancy of 120,000 hours of continuous use. All LED light fittings are replaceable and are available through our customer service.
- IMPORTANT: Always switch off the electrical supply at the mains during installation and maintenance.
- It is recommended that fuse is withdrawn or circuit breaker switched off before installation begins.
- Fitting in Bathrooms is subject to all regulations. It is not suitable for product installations in Saunas, Steam Rooms, or shower cubicles and it is recommended for permanent installation.

Care Safety:

- Wear suitable eye wear protection when drilling. Use caution when using power tools near water, beware of hidden cables or pipes.
- Take care if drilling on tiled surfaces in case the drill slips. A piece of masking tape applied to wall before marking out fixing holes will stop drill from moving.

Cleaning & Maintenance:

- It is recommended that the unit is cleaned with a soft, dry, non-abrasive cloth when turned off.
- Never use cleaning agents or abrasive material on any type of surface finish.
- Do not strike glass components with hard or pointed items.
- Do not place very hot or cold items against or close proximity to glass surfaces.



120V DIMMABLE LED DRIVER INCLUDED

- 1-Decide on wall positional placement.
- 2-Prepare & install wall hooks measured to distance between mirror's
- 3-Match & attach 3 electrical wires from mirror to home electrical wires: Live to Live, Ground to Ground, Neutral to Neutral.
- 4-Hang and affix to wall.

DESCRIPTION

- TYPE: Illuminated Mirror
- SHAPE: Rectangle
- Dimmable with any standard MLV / TRIAC dimmer wall switch
- CRI 90+
- IP Rating: 44
- 120V wiring
- Approx. 120,000 Hours Lifetime
- Complete UL and cUL Certification
- Hangs horizontally or vertically

AVAILABLE LED COLORS (Kelvin)

3000K

6000K



AVAILABLE COLORS:

BLACK



WHITE



GOLD



SILVER



MODELS AND SPECIFICATIONS

MODELS	PRODUCT NUMBERS	DIMENSIONS	LUMENS	WATTS	WEIGHT
Adira 24 X 32	LCMIR-ADI-2432-30/60K-BK	24"W x 32"H x 4.2"D	4320lm	38.4W	30lbs
Adira 24 X 32	LCMIR-ADI-2432-30/60K-WH	24"W x 32"H x 4.2"D	4320lm	38.4W	30lbs
Adira 24 X 32	LCMIR-ADI-2432-30/60K-GD	24"W x 32"H x 4.2"D	4320lm	38.4W	30lbs
Adira 24 X 32	LCMIR-ADI-2432-30/60K-SV	24"W x 32"H x 4.2"D	4320lm	38.4W	30lbs
Adira 48 X 28	LCMIR-ADI-4828-30/60K-BK	48"W x 28"H x 4.2"D	6210lm	55.2W	44lbs
Adira 48 X 28	LCMIR-ADI-4828-30/60K-WH	48"W x 28"H x 4.2"D	6210lm	55.2W	44lbs
Adira 48 X 28	LCMIR-ADI-4828-30/60K-GD	48"W x 28"H x 4.2"D	6210lm	55.2W	44lbs
Adira 48 X 28	LCMIR-ADI-4828-30/60K-SV	48"W x 28"H x 4.2"D	6210lm	55.2W	44lbs



COLOR RENDERING INDEX

The color rendering index (CRI) of a light source is a quantitative measure of its ability to reproduce the colors of various objects faithfully in comparison with an ideal or natural light source.

In general terms, CRI is a measure of a light source's ability to show object colors "realistically" or "naturally".

We only use LED CRI 90+.

COLOR TEMPERATURE

We offer 2 different light colors for our mirrors.

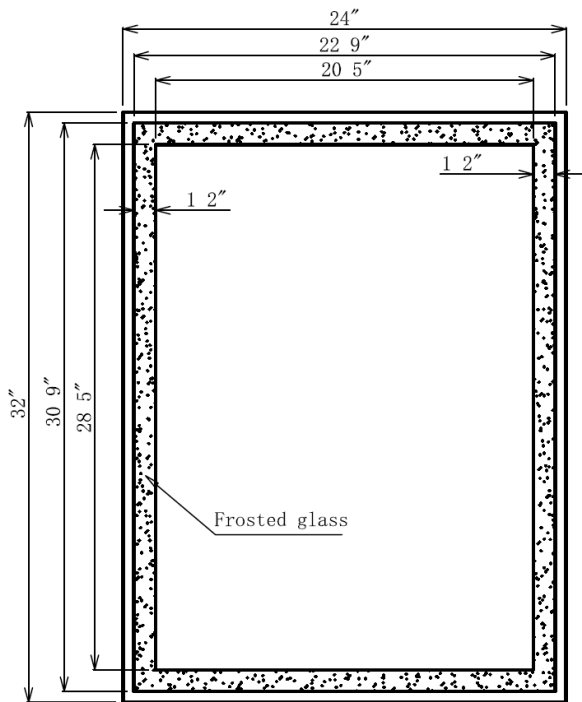
6000K: Pure white color light. It is the most popular color for makeup application and hairstyling.

In addition, the 6000K is 15% brighter than the 3000K light color. 85% of our customers choose the 6000K light color.

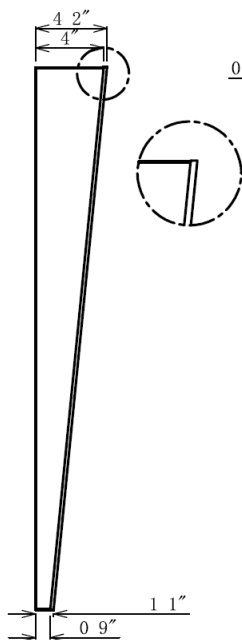
3000K: Warm white color light, the light is a little yellow.



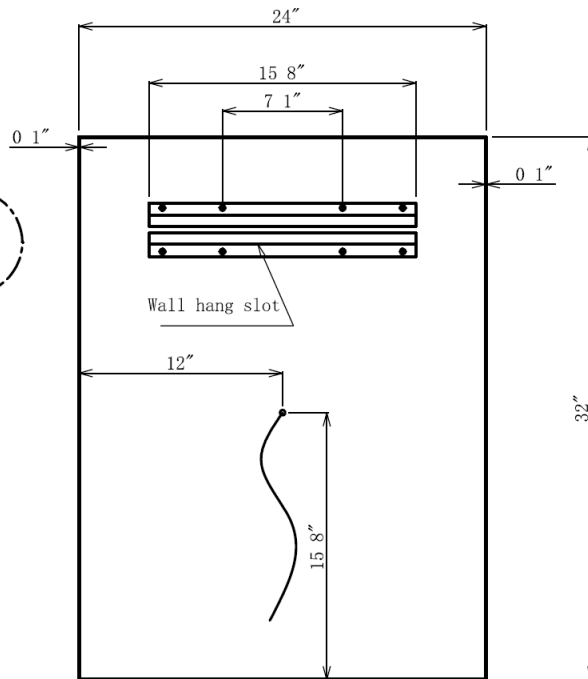
ADIRA 24 X 32



FRONT VIEW

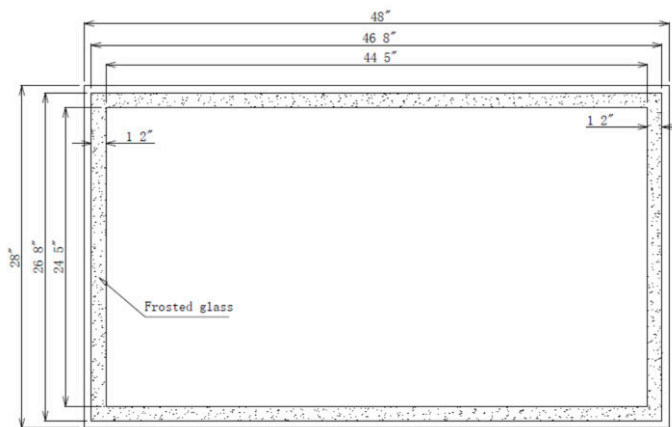


LEFT SIDE

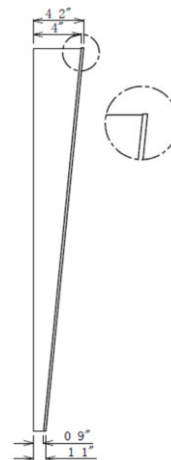


REAR VIEW

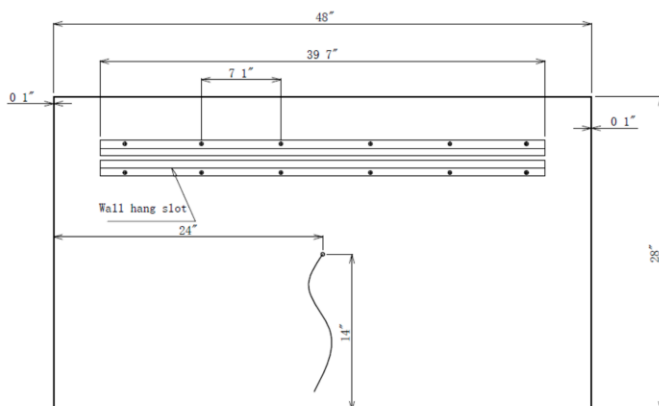
ADIRA 48 X 28



FRONT VIEW



LEFT SIDE



REAR VIEW

INSTALLATION & AFTER CARE INSTRUCTIONS

Installation:

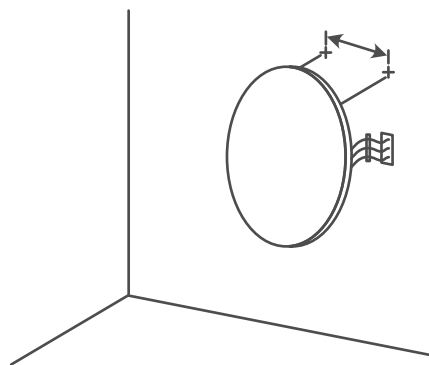
- All our LED mirrors have been independently tested for compliance with electrical equipment (safety) regulations.
- All illuminated and backlit mirrors are IP44 rated.
- Illuminated mirrors have been designed and independently tested for compliance to electrical equipment (safety) regulations, and are UL Certified.
- LEDs have a life expectancy of 120,000 hours of continuous use. All LED light fittings are replaceable and are available through our customer service.
- IMPORTANT: Always switch off the electrical supply at the mains during installation and maintenance.
- It is recommended that fuse is withdrawn or circuit breaker switched off before installation begins.
- Fitting in Bathrooms is subject to all regulations. It is not suitable for product installations in Saunas, Steam Rooms, or shower cubicles and it is recommended for permanent installation.

Care Safety:

- Wear suitable eye wear protection when drilling. Use caution when using power tools near water, beware of hidden cables or pipes.
- Take care if drilling on tiled surfaces in case the drill slips. A piece of masking tape applied to wall before marking out fixing holes will stop drill from moving.

Cleaning & Maintenance:

- It is recommended that the unit is cleaned with a soft, dry, non-abrasive cloth when turned off.
- Never use cleaning agents or abrasive material on any type of surface finish.
- Do not strike glass components with hard or pointed items.
- Do not place very hot or cold items against or close proximity to glass surfaces.



120V DIMMABLE LED DRIVER INCLUDED

- 1-Decide on wall positional placement.
- 2-Prepare & install wall hooks measured to distance between mirror's
- 3-Match & attach 3 electrical wires from mirror to home electrical wires: Live to Live, Ground to Ground, Neutral to Neutral.
- 4-Hang and affix to wall.

DESCRIPTION

- TYPE: Illuminated Mirror
- SHAPE: Rectangle
- Dimmable with any standard MLV / TRIAC dimmer wall switch
- CRI 90+
- IP Rating: 44
- 120V wiring
- Approx. 120,000 Hours Lifetime
- Complete UL and cUL Certification
- Hangs horizontally or vertically

AVAILABLE LED COLORS (Kelvin)

3000K

6000K



MODELS AND SPECIFICATIONS

MODELS	PRODUCT NUMBERS	DIMENSIONS	LUMENS	WATTS	WEIGHT
Flore 48 X 28	LCMIR-FLO-4828-30/60K	48"W x 28"H x 2.3"D	6910/7110lm	59W	44lbs
Flore 48 X 36	LCMIR-FLO-4836-30/60K	48"W x 36"H x 2.3"D	7620/7830lm	65W	55lbs
Flore 70 X 32	LCMIR-FLO-7032-30/60K	70"W x 32"H x 2.3"D	8930/9180lm	76W	71lbs



COLOR RENDERING INDEX

The color rendering index (CRI) of a light source is a quantitative measure of its ability to reproduce the colors of various objects faithfully in comparison with an ideal or natural light source.

In general terms, CRI is a measure of a light source's ability to show object colors "realistically" or "naturally".

We only use LED CRI 90+.

COLOR TEMPERATURE

We offer 2 different light colors for our mirrors.

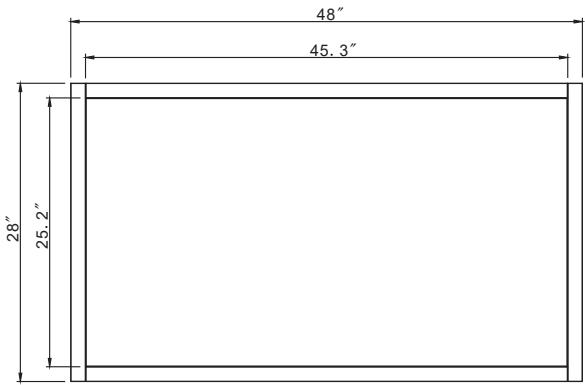
6000K: Pure white color light. It is the most popular color for makeup application and hairstyling.

In addition, the 6000K is 15% brighter than the 3000K light color. 85% of our customers choose the 6000K light color.

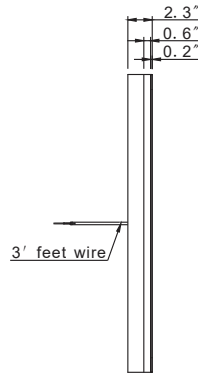
3000K: Warm white color light, the light is a little yellow.



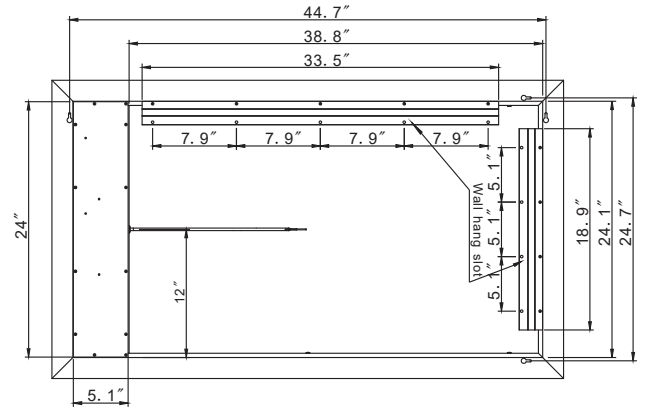
FLORE 48 X 28



FRONT VIEW

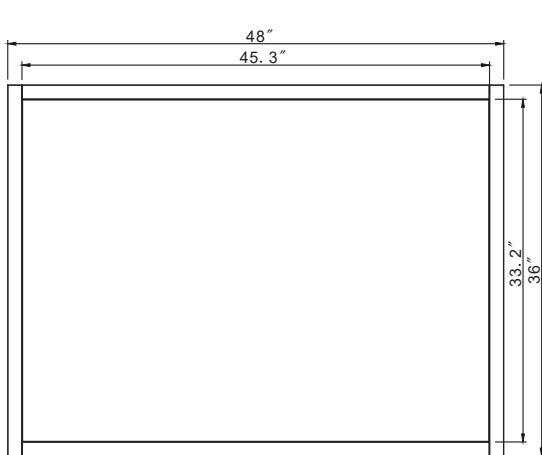


RIGHT SIDE

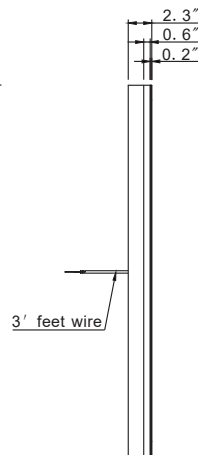


REAR VIEW

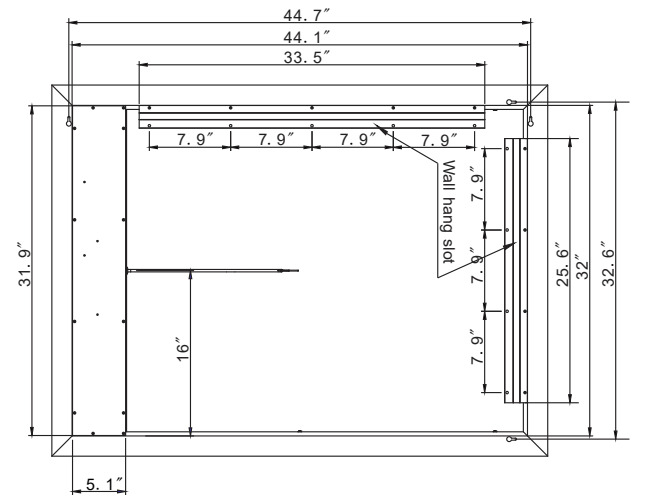
FLORE 48 X 36



FRONT VIEW

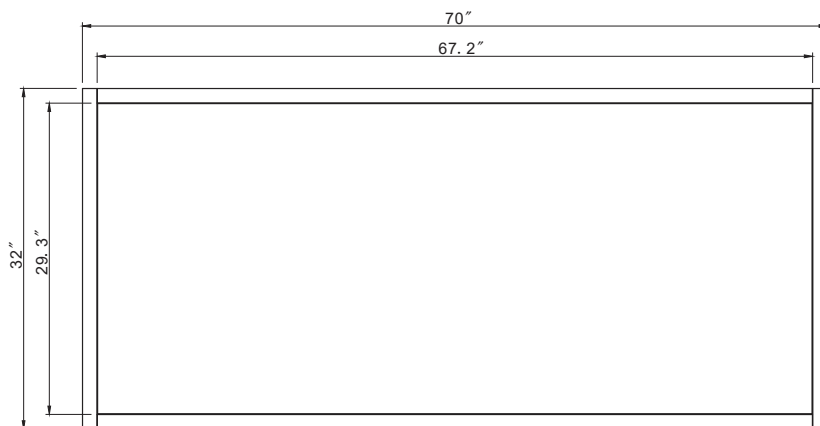


RIGHT SIDE

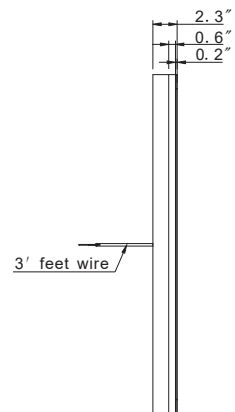


REAR VIEW

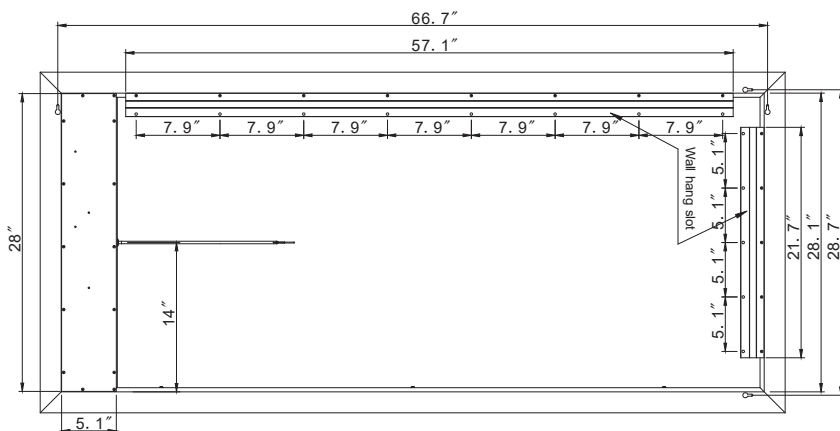
FLORE 70 X 32



FRONT VIEW



LEFT SIDE



REAR VIEW

INSTALLATION & AFTER CARE INSTRUCTIONS

Installation:

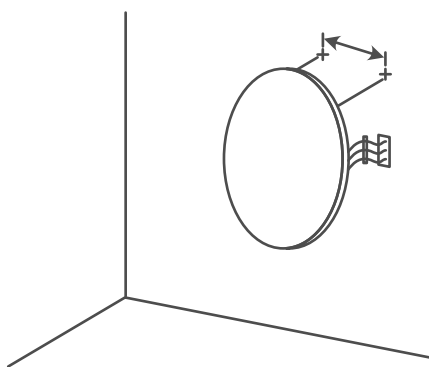
- All our LED mirrors have been independently tested for compliance with electrical equipment (safety) regulations.
- All illuminated and backlit mirrors are IP44 rated.
- Illuminated mirrors have been designed and independently tested for compliance to electrical equipment (safety) regulations, and are UL Certified.
- LEDs have a life expectancy of 120,000 hours of continuous use. All LED light fittings are replaceable and are available through our customer service.
- IMPORTANT: Always switch off the electrical supply at the mains during installation and maintenance.
- It is recommended that fuse is withdrawn or circuit breaker switched off before installation begins.
- Fitting in Bathrooms is subject to all regulations. It is not suitable for product installations in Saunas, Steam Rooms, or shower cubicles and it is recommended for permanent installation.

Care Safety:

- Wear suitable eye wear protection when drilling. Use caution when using power tools near water, beware of hidden cables or pipes.
- Take care if drilling on tiled surfaces in case the drill slips. A piece of masking tape applied to wall before marking out fixing holes will stop drill from moving.

Cleaning & Maintenance:

- It is recommended that the unit is cleaned with a soft, dry, non-abrasive cloth when turned off.
- Never use cleaning agents or abrasive material on any type of surface finish.
- Do not strike glass components with hard or pointed items.
- Do not place very hot or cold items against or close proximity to glass surfaces.



120V DIMMABLE LED DRIVER INCLUDED

- 1-Decide on wall positional placement.
- 2-Prepare & install wall hooks measured to distance between mirror's
- 3-Match & attach 3 electrical wires from mirror to home electrical wires: Live to Live, Ground to Ground, Neutral to Neutral.
- 4-Hang and affix to wall.

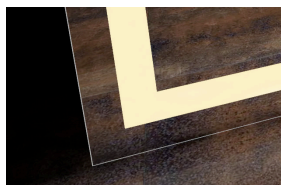
DESCRIPTION

- TYPE: Illuminated Mirror
- SHAPE: Square
- Dimmable with any standard MLV / TRIAC dimmer wall switch
- CRI 90+
- IP Rating: 44
- 120V wiring
- Approx. 120,000 Hours Lifetime
- Complete UL and cUL Certification
- Hangs horizontally or vertically

AVAILABLE LED COLORS (Kelvin)

3000K

6000K



MODELS AND SPECIFICATIONS

MODELS	PRODUCT NUMBERS	DIMENSIONS	LUMENS	WATTS	WEIGHT
Halo 28 X 28	LCMIR-HAL-2828-30/60K	28"W x 28"H x 1.6"D	3100/3190lm	27W	26lbs
Halo 40 X 40	LCMIR-HAL-4040-30/60K	40"W x 40"H x 1.6"D	4460/4590lm	38W	41lbs



COLOR RENDERING INDEX

The color rendering index (CRI) of a light source is a quantitative measure of its ability to reproduce the colors of various objects faithfully in comparison with an ideal or natural light source.

In general terms, CRI is a measure of a light source's ability to show object colors "realistically" or "naturally".

We only use LED CRI 90+.

COLOR TEMPERATURE

We offer 2 different light colors for our mirrors.

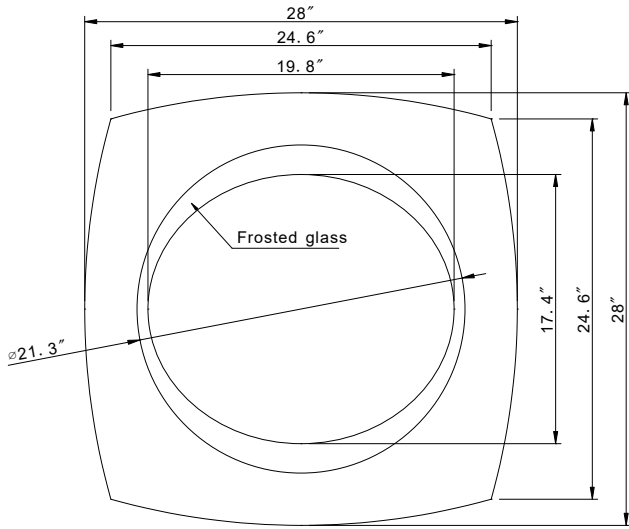
6000K: Pure white color light. It is the most popular color for makeup application and hairstyling.

In addition, the 6000K is 15% brighter than the 3000K light color. 85% of our customers choose the 6000K light color.

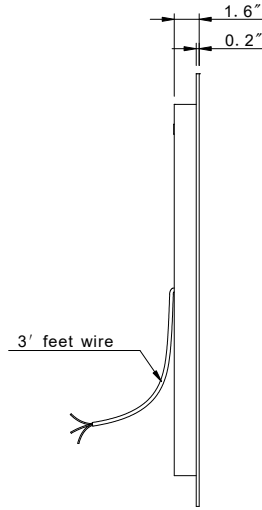
3000K: Warm white color light, the light is a little yellow.



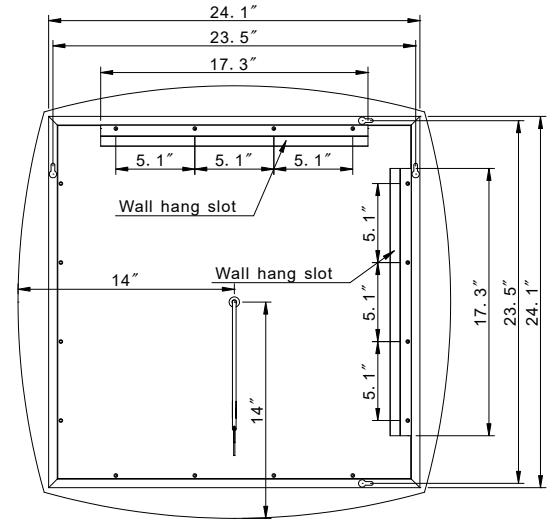
HALO 28 X 28



FRONT VIEW

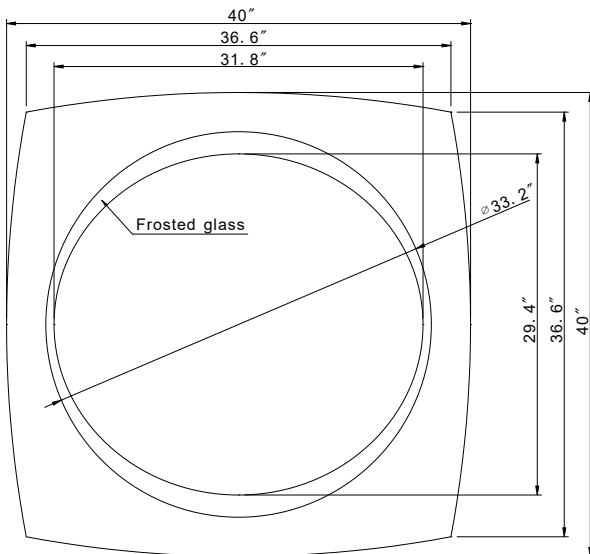


LEFT SIDE

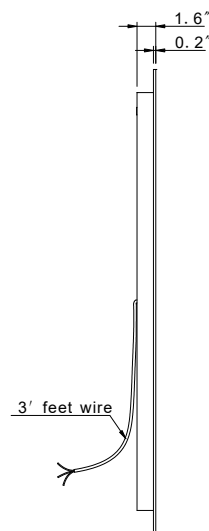


REAR VIEW

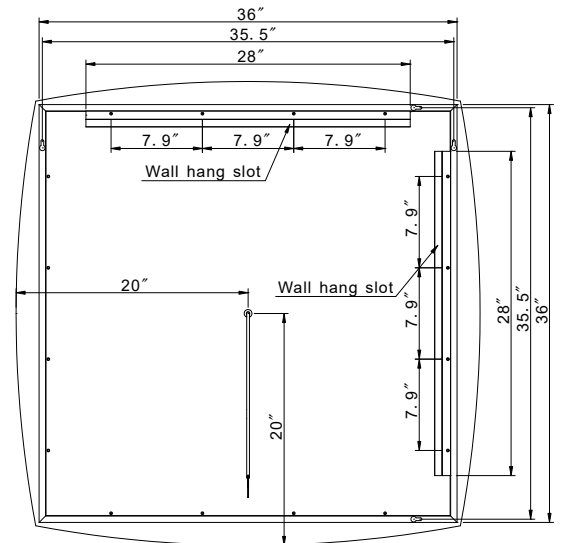
HALO 40 X 40



FRONT VIEW



LEFT SIDE



REAR VIEW

INSTALLATION & AFTER CARE INSTRUCTIONS

Installation:

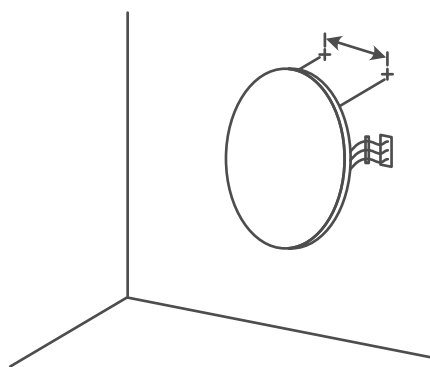
- All our LED mirrors have been independently tested for compliance with electrical equipment (safety) regulations.
- All illuminated and backlit mirrors are IP44 rated.
- Illuminated mirrors have been designed and independently tested for compliance to electrical equipment (safety) regulations, and are UL Certified.
- LEDs have a life expectancy of 120,000 hours of continuous use. All LED light fittings are replaceable and are available through our customer service.
- **IMPORTANT:** Always switch off the electrical supply at the mains during installation and maintenance.
- It is recommended that fuse is withdrawn or circuit breaker switched off before installation begins.
- Fitting in Bathrooms is subject to all regulations. It is not suitable for product installations in Saunas, Steam Rooms, or shower cubicles and it is recommended for permanent installation.

Care Safety:

- Wear suitable eye wear protection when drilling. Use caution when using power tools near water, beware of hidden cables or pipes.
- Take care if drilling on tiled surfaces in case the drill slips. A piece of masking tape applied to wall before marking out fixing holes will stop drill from moving.

Cleaning & Maintenance:

- It is recommended that the unit is cleaned with a soft, dry, non-abrasive cloth when turned off.
- Never use cleaning agents or abrasive material on any type of surface finish.
- Do not strike glass components with hard or pointed items.
- Do not place very hot or cold items against or close proximity to glass surfaces.



120V DIMMABLE LED DRIVER INCLUDED

- 1-Decide on wall positional placement.
- 2-Prepare & install wall hooks measured to distance between mirror's
- 3-Match & attach 3 electrical wires from mirror to home electrical wires: Live to Live, Ground to Ground, Neutral to Neutral.
- 4-Hang and affix to wall.

DESCRIPTION

- TYPE: Hollywood Mirror
- SHAPE: Round
- Dimmable with a switch on the mirror
- CRI 90+
- IP Rating: 44
- 120V wiring
- Approx. 120,000 Hours Lifetime
- Complete UL and cUL Certification
- Hangs vertically

AVAILABLE LED COLORS (Kelvin)

3000K

6000K



AVAILABLE COLORS:

BLACK



WHITE



PINK



MODELS AND SPECIFICATIONS

MODELS	PRODUCT NUMBERS	DIMENSIONS	LUMENS	WATTS	WEIGHT
Diana 28 X 26	LCMIR-DIA-2826-30/60K-BK	28"W x 26"H x 10"D	2700/3200lm	30W	22lbs
Diana 28 X 26	LCMIR-DIA-2826-30/60K-WH	28"W x 26"H x 10"D	2700/3200lm	30W	22lbs
Diana 28 X 26	LCMIR-DIA-2826-30/60K-PK	28"W x 26"H x 10"D	2700/3200lm	30W	22lbs



COLOR RENDERING INDEX

The color rendering index (CRI) of a light source is a quantitative measure of its ability to reproduce the colors of various objects faithfully in comparison with an ideal or natural light source.

In general terms, CRI is a measure of a light source's ability to show object colors "realistically" or "naturally".

We only use LED CRI 90+.

COLOR TEMPERATURE

We offer 2 different light colors for our mirrors.

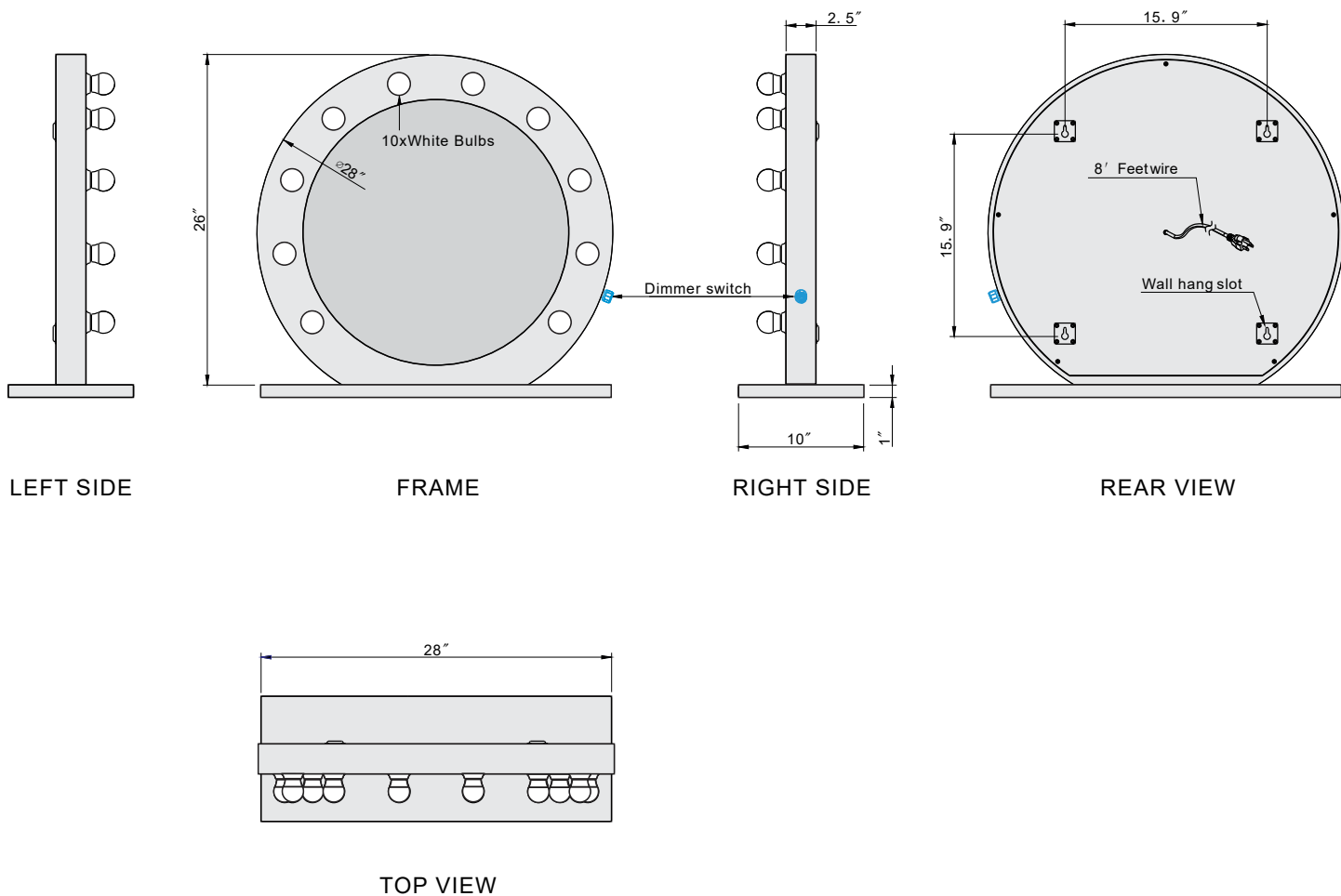
6000K: Pure white color light. It is the most popular color for makeup application and hairstyling.

In addition, the 6000K is 15% brighter than the 3000K light color. 85% of our customers choose the 6000K light color.

3000K: Warm white color light, the light is a little yellow.



DIANA 28 X 26



INSTALLATION & AFTER CARE INSTRUCTIONS

Installation:

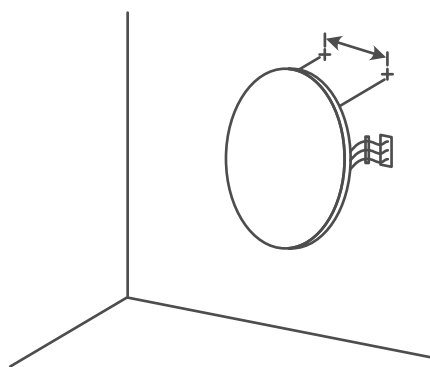
- All our LED mirrors have been independently tested for compliance with electrical equipment (safety) regulations.
- All illuminated and backlit mirrors are IP44 rated.
- Illuminated mirrors have been designed and independently tested for compliance to electrical equipment (safety) regulations, and are UL Certified.
- LEDs have a life expectancy of 120,000 hours of continuous use. All LED light fittings are replaceable and are available through our customer service.
- IMPORTANT: Always switch off the electrical supply at the mains during installation and maintenance.
- It is recommended that fuse is withdrawn or circuit breaker switched off before installation begins.
- Fitting in Bathrooms is subject to all regulations. It is not suitable for product installations in Saunas, Steam Rooms, or shower cubicles and it is recommended for permanent installation.

Care Safety:

- Wear suitable eye wear protection when drilling. Use caution when using power tools near water, beware of hidden cables or pipes.
- Take care if drilling on tiled surfaces in case the drill slips. A piece of masking tape applied to wall before marking out fixing holes will stop drill from moving.

Cleaning & Maintenance:

- It is recommended that the unit is cleaned with a soft, dry, non-abrasive cloth when turned off.
- Never use cleaning agents or abrasive material on any type of surface finish.
- Do not strike glass components with hard or pointed items.
- Do not place very hot or cold items against or close proximity to glass surfaces.



120V DIMMABLE LED DRIVER INCLUDED

- 1-Decide on wall positional placement.
- 2-Prepare & install wall hooks measured to distance between mirror's
- 3-Match & attach 3 electrical wires from mirror to home electrical wires: Live to Live, Ground to Ground, Neutral to Neutral.
- 4-Hang and affix to wall.

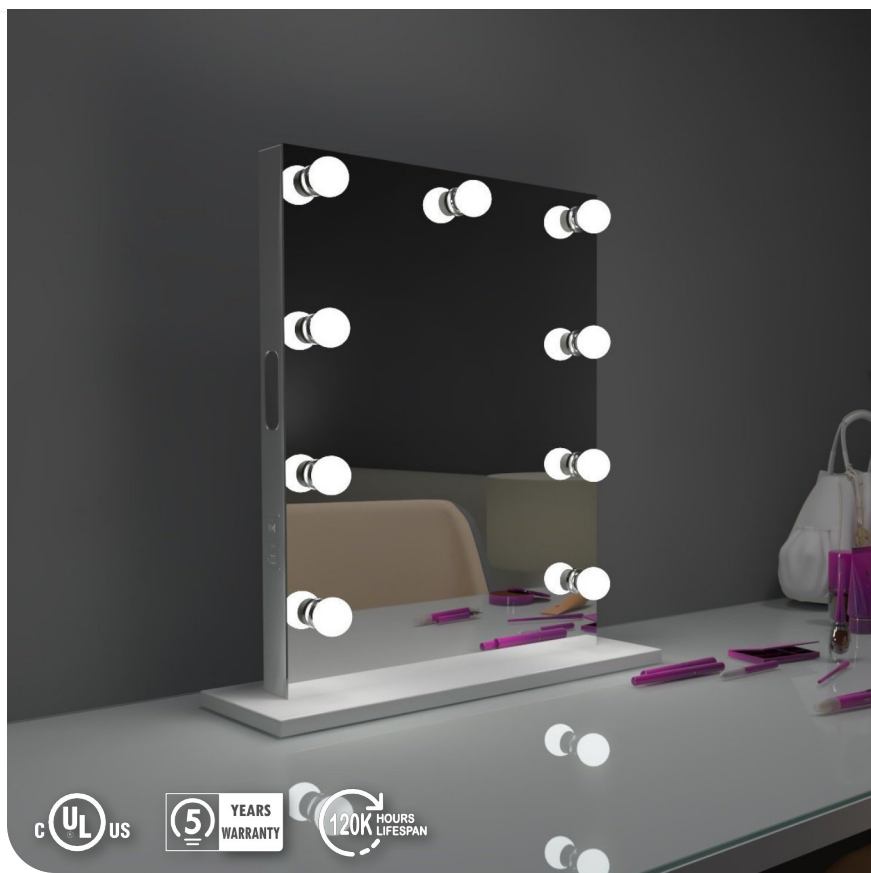
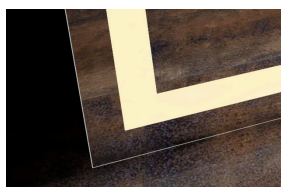
DESCRIPTION

- TYPE: Hollywood Mirror
- SHAPE: Rectangle
- Dimmable with a switch on the mirror
- CRI 90+
- IP Rating: 44
- 120V wiring
- Approx. 120,000 Hours Lifetime
- Complete UL and cUL Certification
- Hangs vertically

AVAILABLE LED COLORS (Kelvin)

3000K

6000K



MODELS AND SPECIFICATIONS

MODELS	PRODUCT NUMBERS	DIMENSIONS	LUMENS	WATTS	WEIGHT
Grace 20 X 26	LCMIR-GRA-2026-30/60K	20"W x 26"H x 10"D	2430/2880lm	27W	38lbs
Grace 24 X 32	LCMIR-GRA-2432-30/60K	24"W x 32"H x 10"D	3240/3840lm	36W	48lbs
Grace 40 X 28	LCMIR-GRA-4028-30/60K	40"W x 28"H x 10"D	3240/3840lm	36W	70lbs



COLOR RENDERING INDEX

The color rendering index (CRI) of a light source is a quantitative measure of its ability to reproduce the colors of various objects faithfully in comparison with an ideal or natural light source.

In general terms, CRI is a measure of a light source's ability to show object colors "realistically" or "naturally".

We only use LED CRI 90+.

COLOR TEMPERATURE

We offer 2 different light colors for our mirrors.

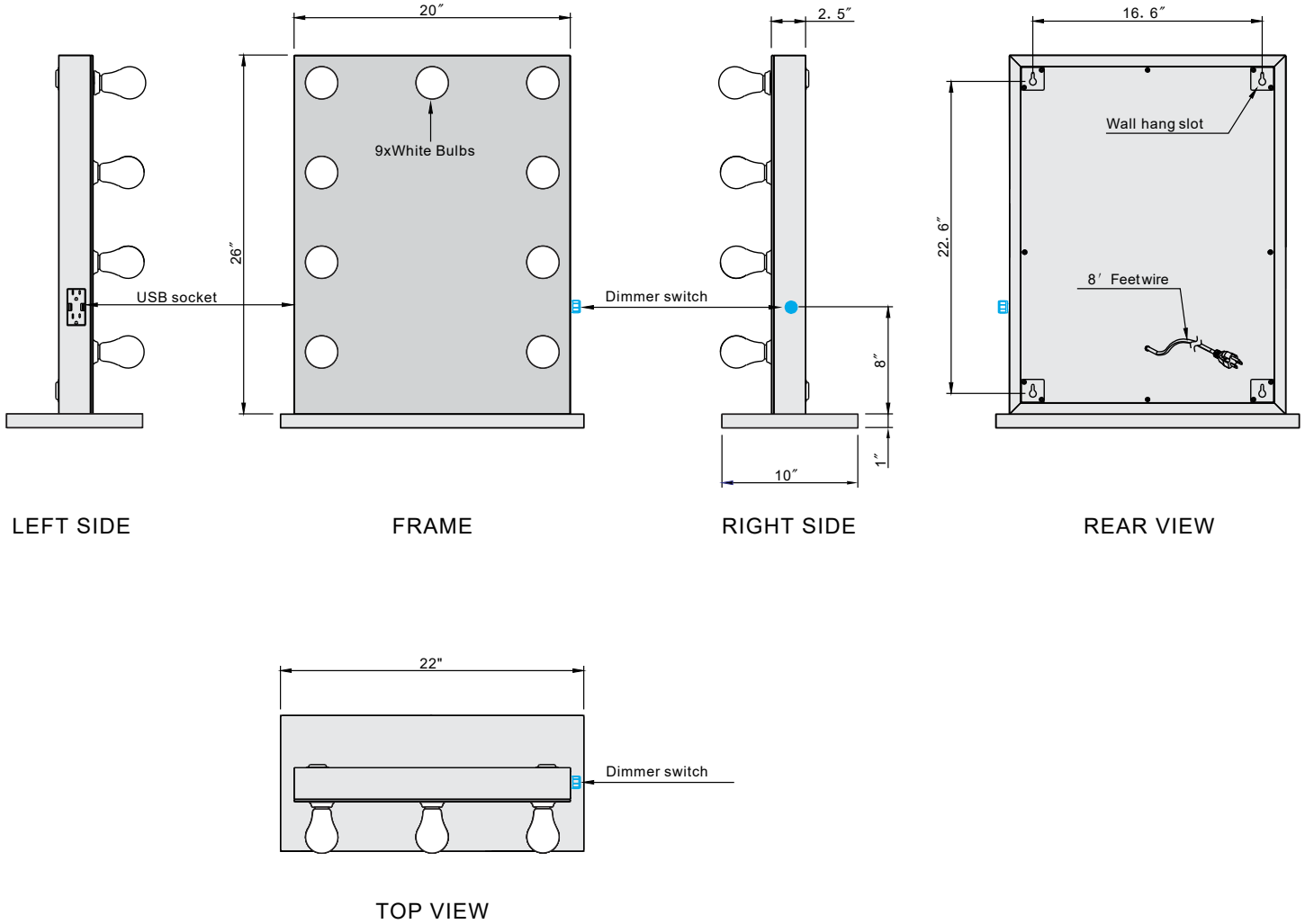
6000K: Pure white color light. It is the most popular color for makeup application and hairstyling.

In addition, the 6000K is 15% brighter than the 3000K light color. 85% of our customers choose the 6000K light color.

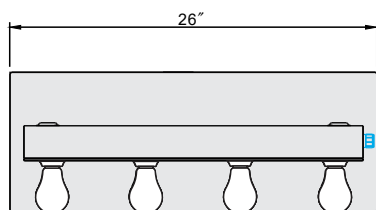
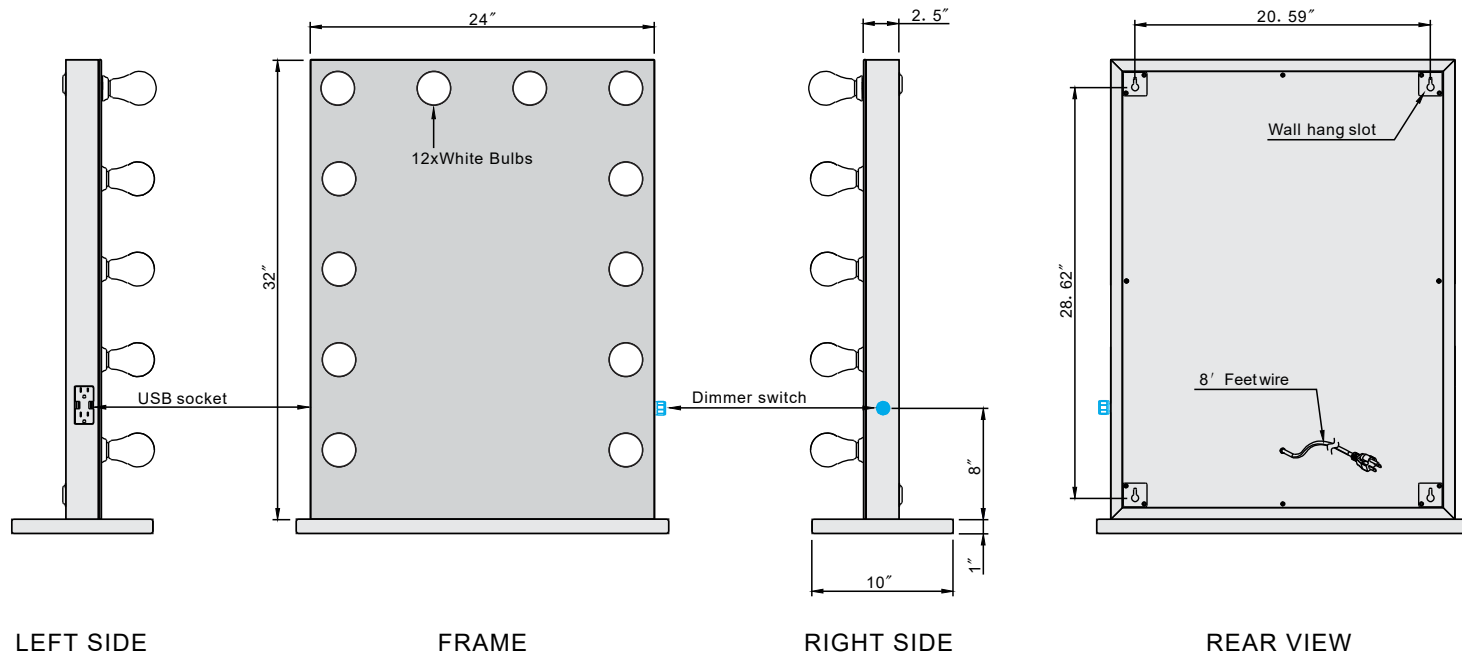
3000K: Warm white color light, the light is a little yellow.



GRACE 20 X 26

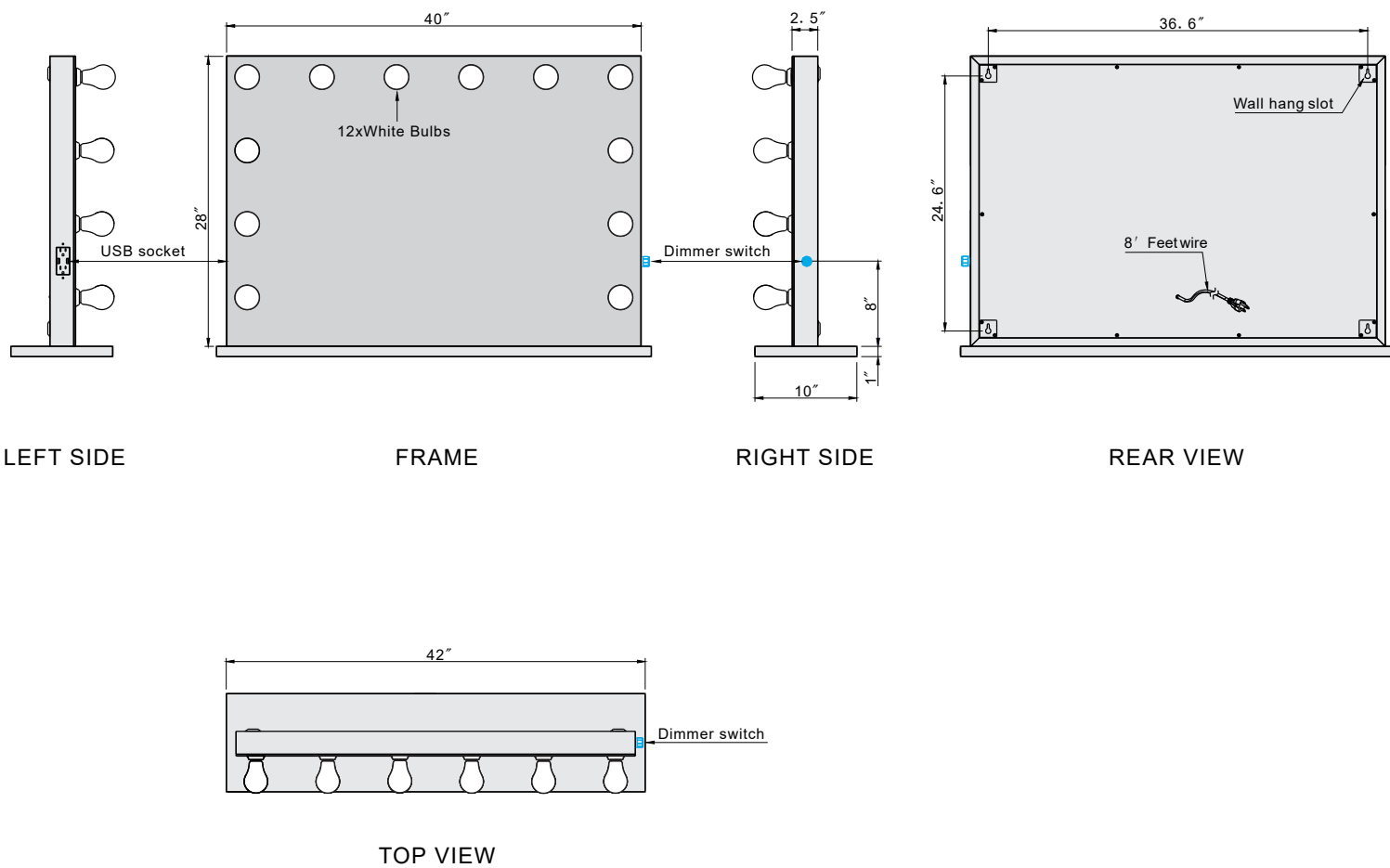


GRACE 24 X 32



TOP VIEW

GRACE 40 X 28



INSTALLATION & AFTER CARE INSTRUCTIONS

Installation:

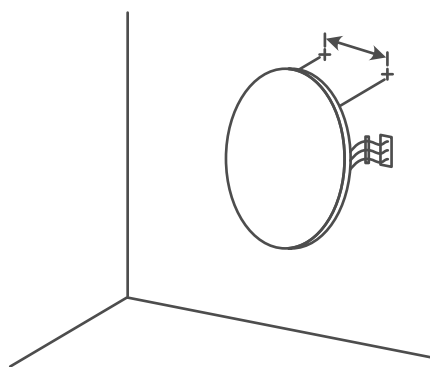
- All our LED mirrors have been independently tested for compliance with electrical equipment (safety) regulations.
- All illuminated and backlit mirrors are IP44 rated.
- Illuminated mirrors have been designed and independently tested for compliance to electrical equipment (safety) regulations, and are UL Certified.
- LEDs have a life expectancy of 120,000 hours of continuous use. All LED light fittings are replaceable and are available through our customer service.
- IMPORTANT: Always switch off the electrical supply at the mains during installation and maintenance.
- It is recommended that fuse is withdrawn or circuit breaker switched off before installation begins.
- Fitting in Bathrooms is subject to all regulations. It is not suitable for product installations in Saunas, Steam Rooms, or shower cubicles and it is recommended for permanent installation.

Care Safety:

- Wear suitable eye wear protection when drilling. Use caution when using power tools near water, beware of hidden cables or pipes.
- Take care if drilling on tiled surfaces in case the drill slips. A piece of masking tape applied to wall before marking out fixing holes will stop drill from moving.

Cleaning & Maintenance:

- It is recommended that the unit is cleaned with a soft, dry, non-abrasive cloth when turned off.
- Never use cleaning agents or abrasive material on any type of surface finish.
- Do not strike glass components with hard or pointed items.
- Do not place very hot or cold items against or close proximity to glass surfaces.



120V DIMMABLE LED DRIVER INCLUDED

- 1-Decide on wall positional placement.
- 2-Prepare & install wall hooks measured to distance between mirror's
- 3-Match & attach 3 electrical wires from mirror to home electrical wires: Live to Live, Ground to Ground, Neutral to Neutral.
- 4-Hang and affix to wall.

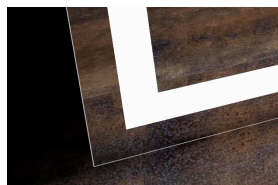
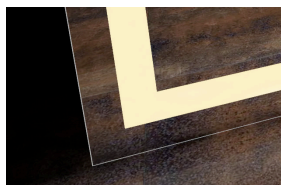
DESCRIPTION

- TYPE: Hollywood Mirror
- SHAPE: Rectangle
- Dimmable with a switch on the mirror
- CRI 90+
- IP Rating: 44
- 120V wiring
- Approx. 120,000 Hours Lifetime
- Complete UL and cUL Certification
- Hangs vertically

AVAILABLE LED COLORS (Kelvin)

3000K

6000K



MODELS AND SPECIFICATIONS

MODELS	PRODUCT NUMBERS	DIMENSIONS	LUMENS	WATTS	WEIGHT
Princess 24 X 32	LCMIR-PRI-2432-30/60K	24"W x 32"H x 2"D	2970/3520lm	33W	37lbs
Princess 48 X 36	LCMIR-PRI-4836-30/60K	48"W x 36"H x 2"D	6480/7680lm	72W	52lbs
Princess 60 X 45	LCMIR-PRI-6045-30/60K	60"W x 45"H x 2"D	8100/9600lm	90W	85lbs
Princess 85 X 40	LCMIR-PRI-8540-30/60K	85"W x 40"H x 2"D	8640/10240lm	96W	105lbs



COLOR RENDERING INDEX

The color rendering index (CRI) of a light source is a quantitative measure of its ability to reproduce the colors of various objects faithfully in comparison with an ideal or natural light source.

In general terms, CRI is a measure of a light source's ability to show object colors "realistically" or "naturally".

We only use LED CRI 90+.

COLOR TEMPERATURE

We offer 2 different light colors for our mirrors.

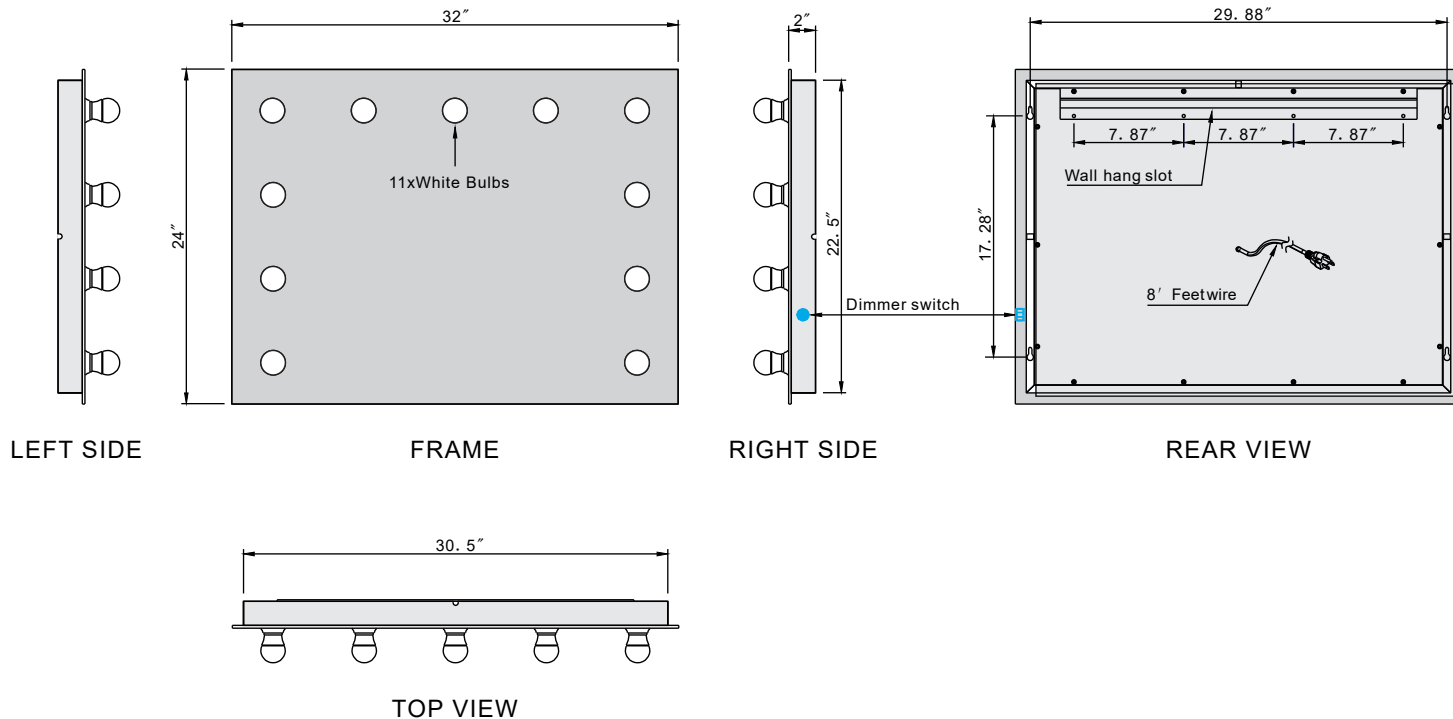
6000K: Pure white color light. It is the most popular color for makeup application and hairstyling.

In addition, the 6000K is 15% brighter than the 3000K light color. 85% of our customers choose the 6000K light color.

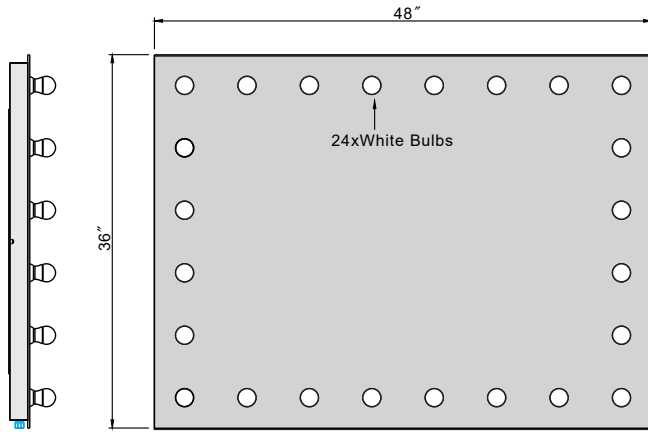
3000K: Warm white color light, the light is a little yellow.



PRINCESS 24 X 32

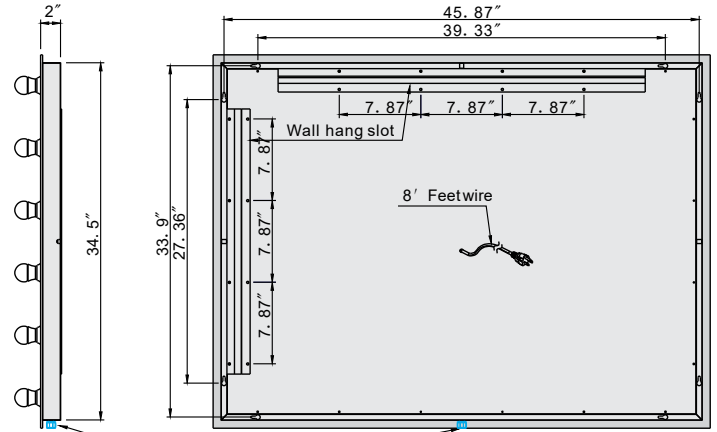


PRINCESS 48 X 36



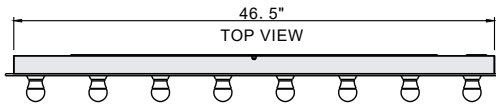
LEFT SIDE

FRAME



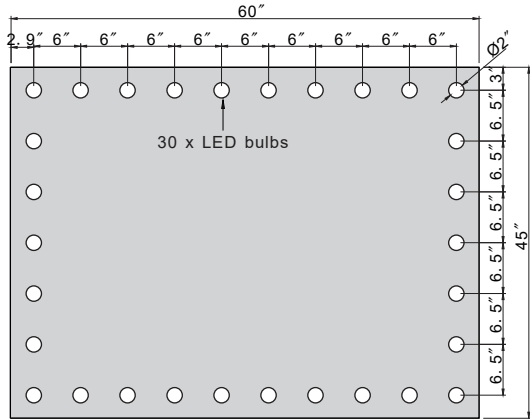
RIGHT SIDE

REAR VIEW

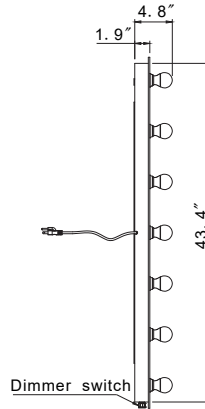


TOP VIEW

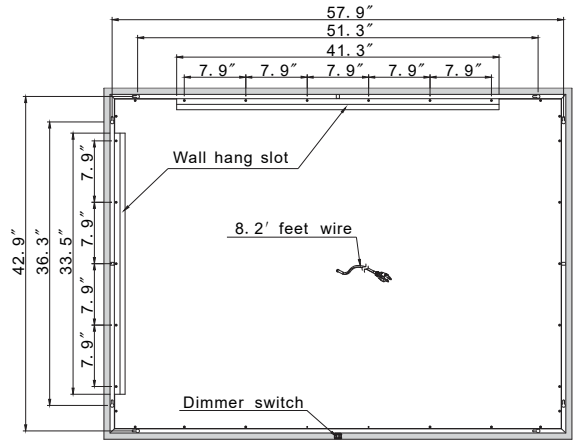
PRINCESS 60 X 45



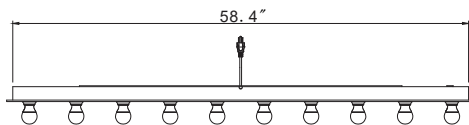
FRAME



LEFT SIDE

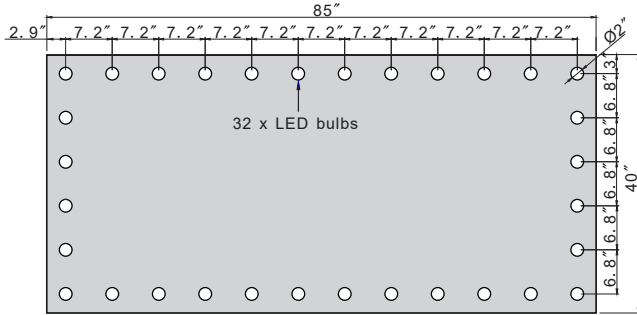


REAR VIEW

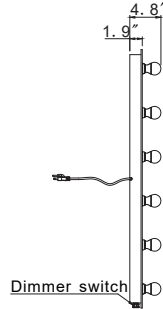


TOP VIEW

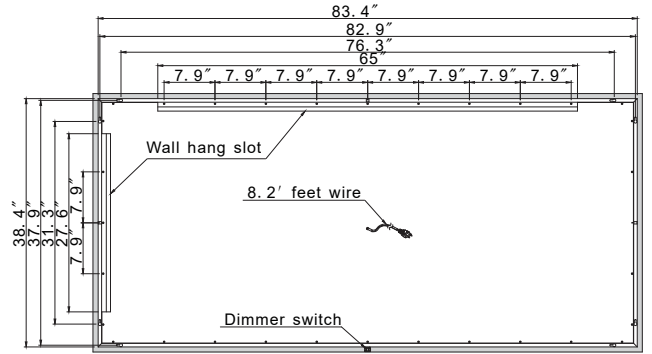
PRINCESS 85 X 40



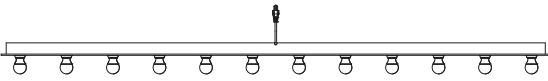
FRAME



LEFT SIDE



REAR VIEW



TOP VIEW

INSTALLATION & AFTER CARE INSTRUCTIONS

Installation:

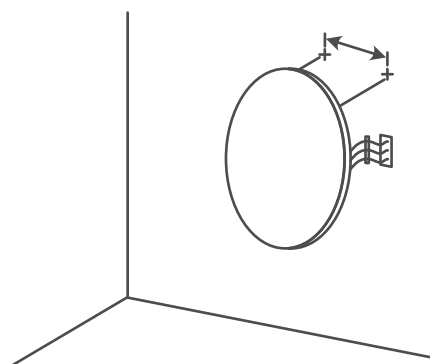
- All our LED mirrors have been independently tested for compliance with electrical equipment (safety) regulations.
- All illuminated and backlit mirrors are IP44 rated.
- Illuminated mirrors have been designed and independently tested for compliance to electrical equipment (safety) regulations, and are UL Certified.
- LEDs have a life expectancy of 120,000 hours of continuous use. All LED light fittings are replaceable and are available through our customer service.
- IMPORTANT: Always switch off the electrical supply at the mains during installation and maintenance.
- It is recommended that fuse is withdrawn or circuit breaker switched off before installation begins.
- Fitting in Bathrooms is subject to all regulations. It is not suitable for product installations in Saunas, Steam Rooms, or shower cubicles and it is recommended for permanent installation.

Care Safety:

- Wear suitable eye wear protection when drilling. Use caution when using power tools near water, beware of hidden cables or pipes.
- Take care if drilling on tiled surfaces in case the drill slips. A piece of masking tape applied to wall before marking out fixing holes will stop drill from moving.

Cleaning & Maintenance:

- It is recommended that the unit is cleaned with a soft, dry, non-abrasive cloth when turned off.
- Never use cleaning agents or abrasive material on any type of surface finish.
- Do not strike glass components with hard or pointed items.
- Do not place very hot or cold items against or close proximity to glass surfaces.



120V DIMMABLE LED DRIVER INCLUDED

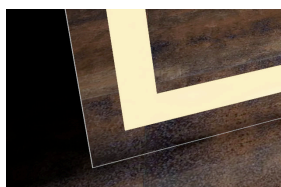
- 1-Decide on wall positional placement.
- 2-Prepare & install wall hooks measured to distance between mirror's
- 3-Match & attach 3 electrical wires from mirror to home electrical wires: Live to Live, Ground to Ground, Neutral to Neutral.
- 4-Hang and affix to wall.

DESCRIPTION

- TYPE: Hollywood Mirror
- SHAPE: Rectangle
- Dimmable with a switch on the mirror
- CRI 90+
- IP Rating: 44
- 120V wiring
- Approx. 120,000 Hours Lifetime
- Complete UL and cUL Certification
- Hangs vertically

AVAILABLE LED COLORS (Kelvin)

3000K



6000K



AVAILABLE COLORS:

BLACK



WHITE



PINK



MODELS AND SPECIFICATIONS

MODELS	PRODUCT NUMBERS	DIMENSIONS	LUMENS	WATTS	WEIGHT
Marilyn 20 X 26	LCMIR-MAR-2026-30/60K-BK	20"W x 26"H x 10"D	2430/2880lm	27W	28lbs
Marilyn 20 X 26	LCMIR-MAR-2026-30/60K-WH	20"W x 26"H x 10"D	2430/2880lm	27W	28lbs
Marilyn 20 X 26	LCMIR-MAR-2026-30/60K-PK	20"W x 26"H x 10"D	2430/2880lm	27W	28lbs
Marilyn 24 X 32	LCMIR-MAR-2432-30/60K-BK	24"W x 32"H x 10"D	3240/3840lm	36W	39lbs
Marilyn 24 X 32	LCMIR-MAR-2432-30/60K-WH	24"W x 32"H x 10"D	3240/3840lm	36W	39lbs
Marilyn 24 X 32	LCMIR-MAR-2432-30/60K-PK	24"W x 32"H x 10"D	3240/3840lm	36W	39lbs
Marilyn 40 X 28	LCMIR-MAR-4028-30/60K-BK	40"W x 28"H x 10"D	3240/3840lm	36W	55lbs
Marilyn 40 X 28	LCMIR-MAR-4028-30/60K-WH	40"W x 28"H x 10"D	3240/3840lm	36W	55lbs
Marilyn 40 X 28	LCMIR-MAR-4028-30/60K-PK	40"W x 28"H x 10"D	3240/3840lm	36W	55lbs



COLOR RENDERING INDEX

The color rendering index (CRI) of a light source is a quantitative measure of its ability to reproduce the colors of various objects faithfully in comparison with an ideal or natural light source.

In general terms, CRI is a measure of a light source's ability to show object colors "realistically" or "naturally".

We only use LED CRI 90+.

COLOR TEMPERATURE

We offer 2 different light colors for our mirrors.

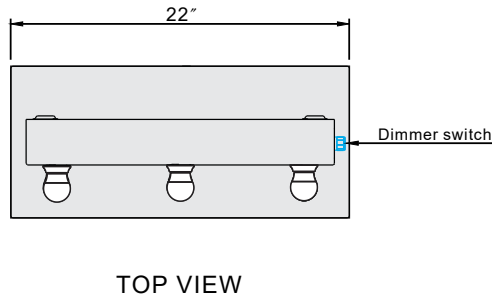
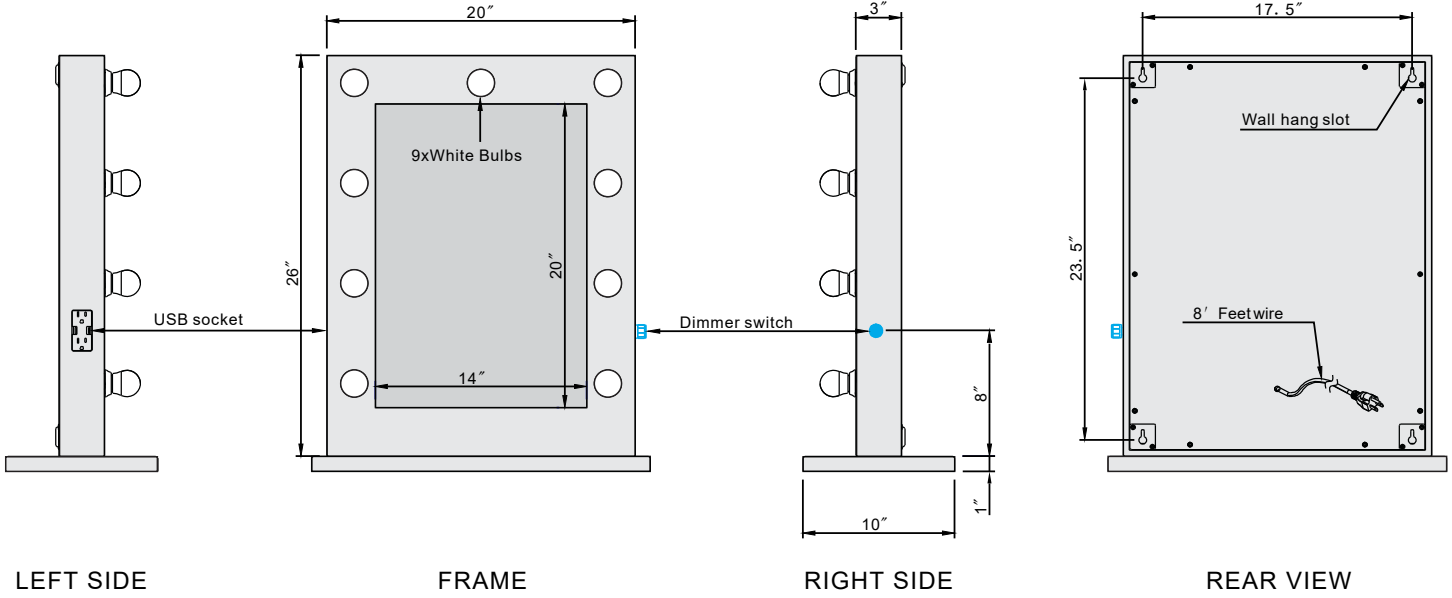
6000K: Pure white color light. It is the most popular color for makeup application and hairstyling.

In addition, the 6000K is 15% brighter than the 3000K light color. 85% of our customers choose the 6000K light color.

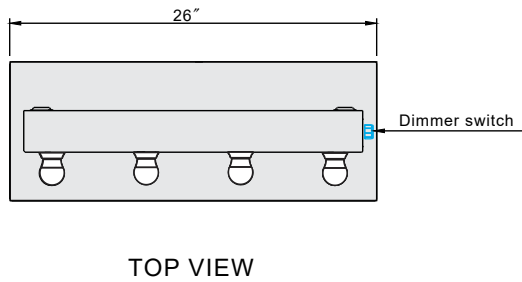
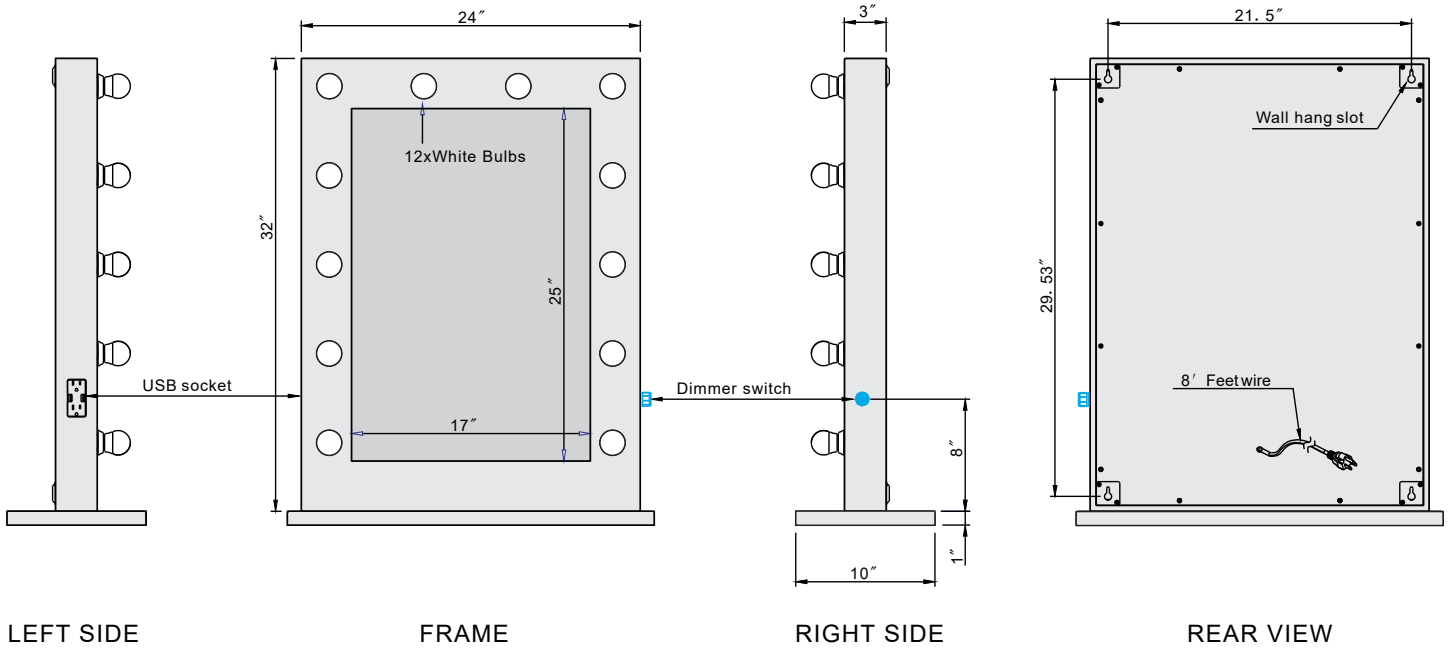
3000K: Warm white color light, the light is a little yellow.



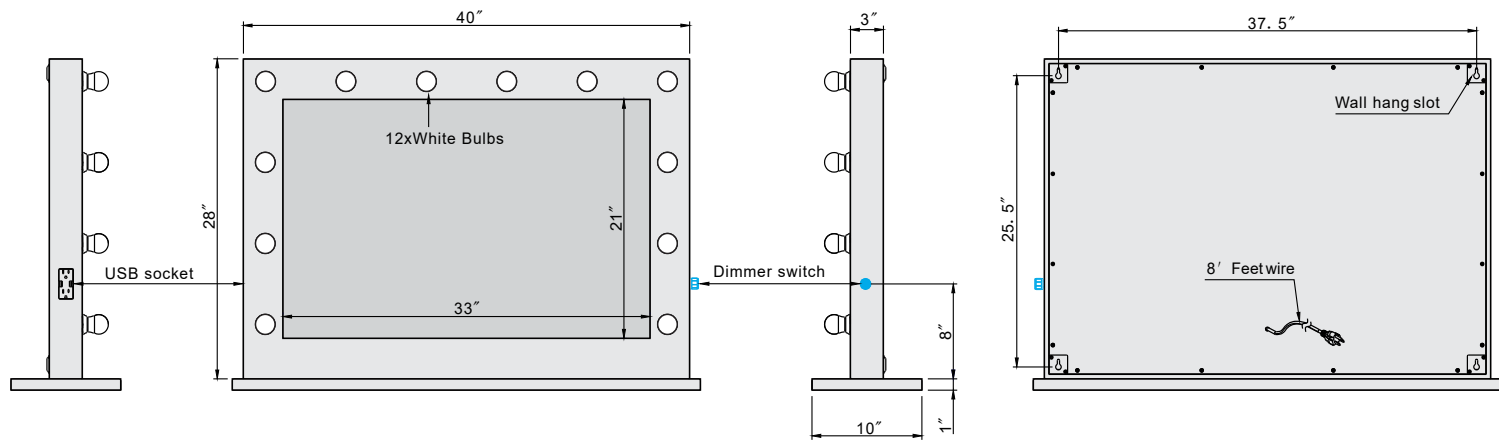
MARILYN 20 X 26



MARILYN 24 X 32



MARILYN 40 X 28

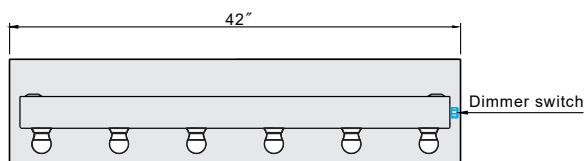


LEFT SIDE

FRAME

RIGHT SIDE

REAR VIEW



TOP VIEW

INSTALLATION & AFTER CARE INSTRUCTIONS

Installation:

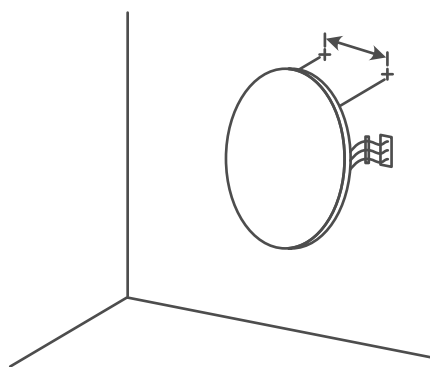
- All our LED mirrors have been independently tested for compliance with electrical equipment (safety) regulations.
- All illuminated and backlit mirrors are IP44 rated.
- Illuminated mirrors have been designed and independently tested for compliance to electrical equipment (safety) regulations, and are UL Certified.
- LEDs have a life expectancy of 120,000 hours of continuous use. All LED light fittings are replaceable and are available through our customer service.
- **IMPORTANT:** Always switch off the electrical supply at the mains during installation and maintenance.
- It is recommended that fuse is withdrawn or circuit breaker switched off before installation begins.
- Fitting in Bathrooms is subject to all regulations. It is not suitable for product installations in Saunas, Steam Rooms, or shower cubicles and it is recommended for permanent installation.

Care Safety:

- Wear suitable eye wear protection when drilling. Use caution when using power tools near water, beware of hidden cables or pipes.
- Take care if drilling on tiled surfaces in case the drill slips. A piece of masking tape applied to wall before marking out fixing holes will stop drill from moving.

Cleaning & Maintenance:

- It is recommended that the unit is cleaned with a soft, dry, non-abrasive cloth when turned off.
- Never use cleaning agents or abrasive material on any type of surface finish.
- Do not strike glass components with hard or pointed items.
- Do not place very hot or cold items against or close proximity to glass surfaces.



120V DIMMABLE LED DRIVER INCLUDED

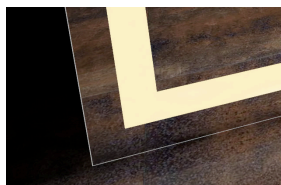
- 1-Decide on wall positional placement.
- 2-Prepare & install wall hooks measured to distance between mirror's
- 3-Match & attach 3 electrical wires from mirror to home electrical wires: Live to Live, Ground to Ground, Neutral to Neutral.
- 4-Hang and affix to wall.

DESCRIPTION

- TYPE: Hollywood Mirror
- SHAPE: Rectangle
- Dimmable with any standard MLV / TRIAC dimmer wall switch
- CRI 90+
- IP Rating: 44
- 120V wiring
- Approx. 120,000 Hours Lifetime
- Complete UL and cUL Certification
- Hangs horizontally or vertically

AVAILABLE LED COLORS (Kelvin)

3000K



6000K



MODELS AND SPECIFICATIONS

MODELS	PRODUCT NUMBERS	DIMENSIONS	LUMENS	WATTS	WEIGHT
Hollywood 24 X 36	LCMIR-HOL-2436-30/60K	24"W x 36"H x 1.6"D	3450/3550lm	29W	29lbs
Hollywood 48 X 36	LCMIR-HOL-4836-30/60K	48"W x 36"H x 1.6"D	4140/4250lm	35W	51lbs
Hollywood 60 X 36	LCMIR-HOL-6036-30/60K	60"W x 36"H x 1.6"D	4960/4970lm	45W	62lbs



COLOR RENDERING INDEX

The color rendering index (CRI) of a light source is a quantitative measure of its ability to reproduce the colors of various objects faithfully in comparison with an ideal or natural light source.

In general terms, CRI is a measure of a light source's ability to show object colors "realistically" or "naturally".

We only use LED CRI 90+.

COLOR TEMPERATURE

We offer 2 different light colors for our mirrors.

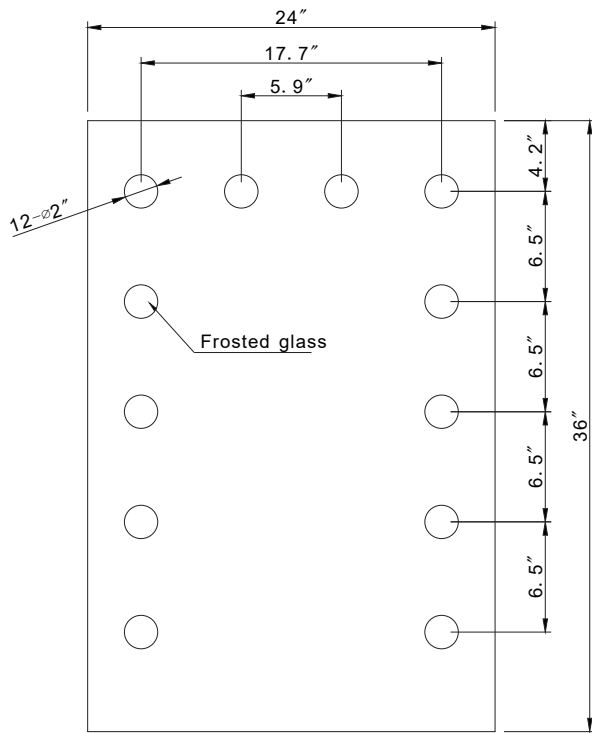
6000K: Pure white color light. It is the most popular color for makeup application and hairstyling.

In addition, the 6000K is 15% brighter than the 3000K light color. 85% of our customers choose the 6000K light color.

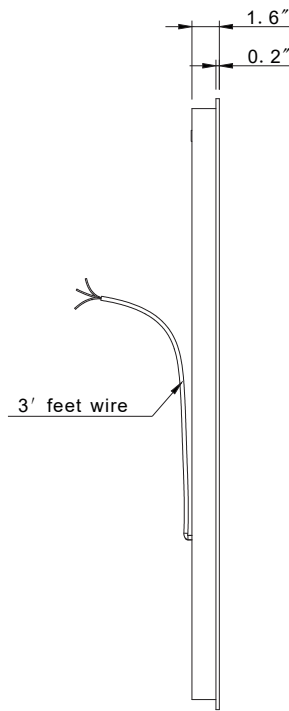
3000K: Warm white color light, the light is a little yellow.



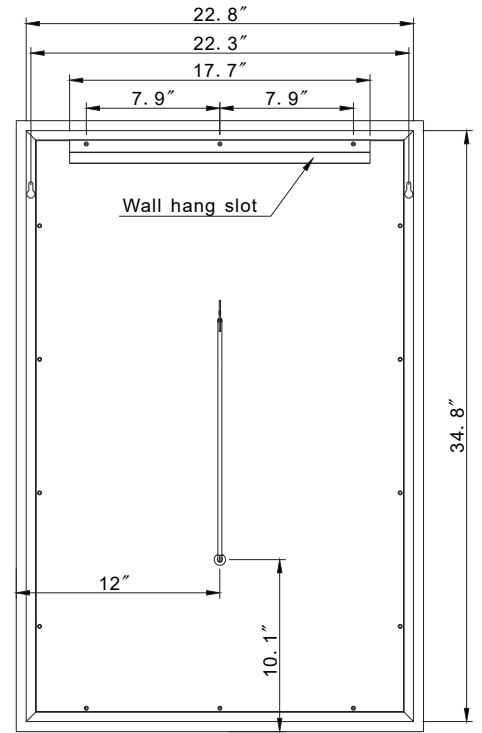
HOLLYWOOD 24 X 36



FRONT VIEW

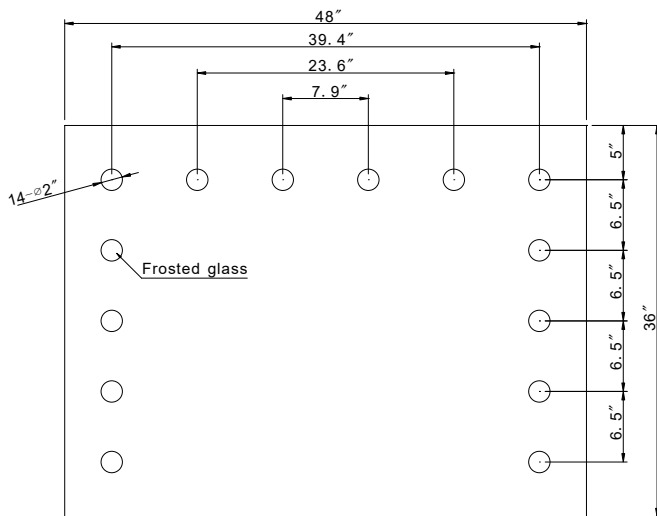


LEFT SIDE

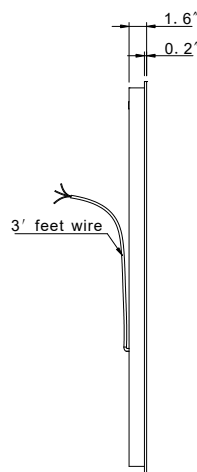


REAR VIEW

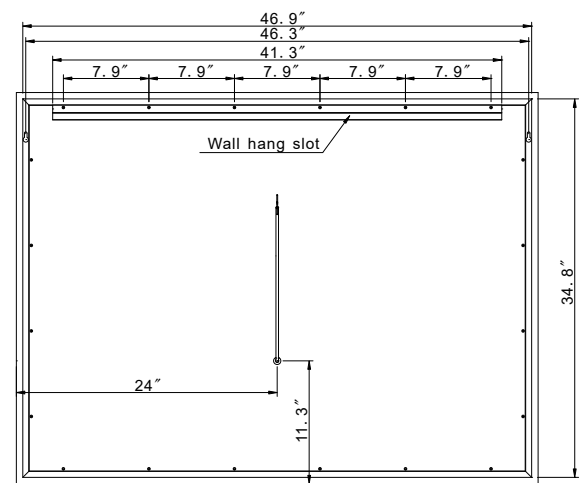
HOLLYWOOD II 48 X 36



FRONT VIEW

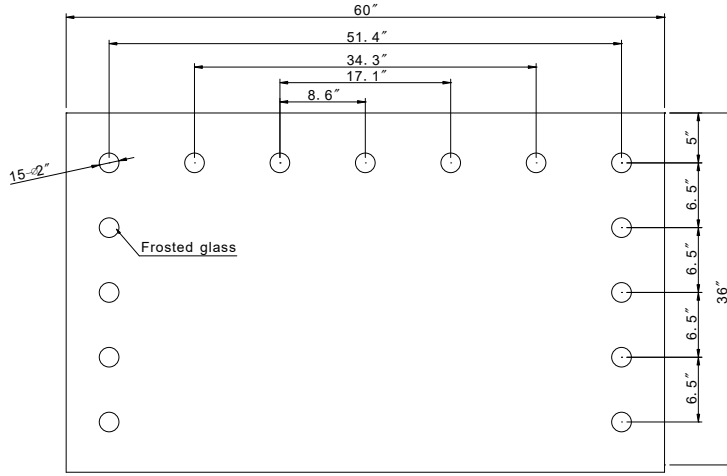


LEFT SIDE

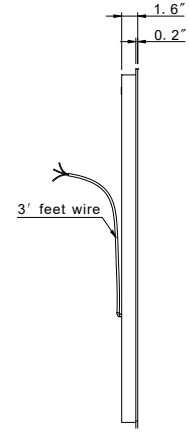


REAR VIEW

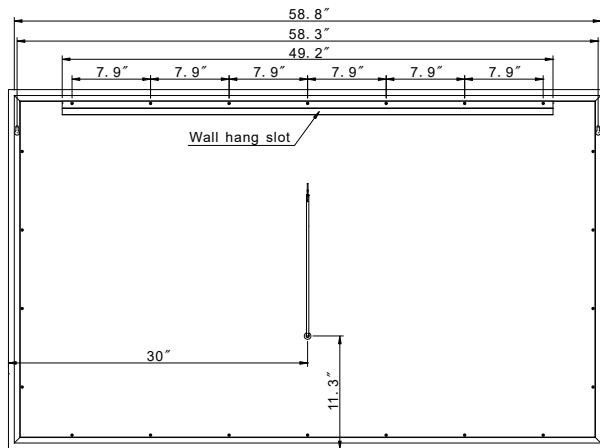
HOLLYWOOD 60 X 36



FRONT VIEW



LEFT SIDE



REAR VIEW

INSTALLATION & AFTER CARE INSTRUCTIONS

Installation:

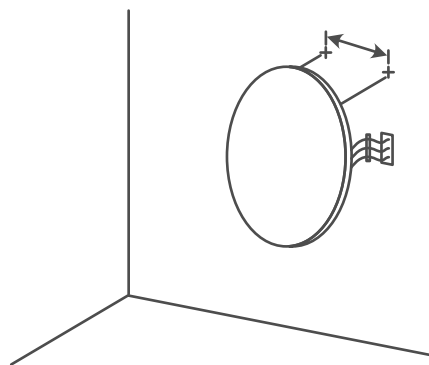
- All our LED mirrors have been independently tested for compliance with electrical equipment (safety) regulations.
- All illuminated and backlit mirrors are IP44 rated.
- Illuminated mirrors have been designed and independently tested for compliance to electrical equipment (safety) regulations, and are UL Certified.
- LEDs have a life expectancy of 120,000 hours of continuous use. All LED light fittings are replaceable and are available through our customer service.
- IMPORTANT: Always switch off the electrical supply at the mains during installation and maintenance.
- It is recommended that fuse is withdrawn or circuit breaker switched off before installation begins.
- Fitting in Bathrooms is subject to all regulations. It is not suitable for product installations in Saunas, Steam Rooms, or shower cubicles and it is recommended for permanent installation.

Care Safety:

- Wear suitable eye wear protection when drilling. Use caution when using power tools near water, beware of hidden cables or pipes.
- Take care if drilling on tiled surfaces in case the drill slips. A piece of masking tape applied to wall before marking out fixing holes will stop drill from moving.

Cleaning & Maintenance:

- It is recommended that the unit is cleaned with a soft, dry, non-abrasive cloth when turned off.
- Never use cleaning agents or abrasive material on any type of surface finish.
- Do not strike glass components with hard or pointed items.
- Do not place very hot or cold items against or close proximity to glass surfaces.



120V DIMMABLE LED DRIVER INCLUDED

- 1-Decide on wall positional placement.
- 2-Prepare & install wall hooks measured to distance between mirror's
- 3-Match & attach 3 electrical wires from mirror to home electrical wires: Live to Live, Ground to Ground, Neutral to Neutral.
- 4-Hang and affix to wall.

DESCRIPTION

- TYPE: Hollywood Mirror
- SHAPE: Rectangle
- Dimmable with a switch on the mirror
- CRI 90+
- IP Rating: 44
- 120V wiring
- Approx. 120,000 Hours Lifetime
- Complete UL and cUL Certification
- Hangs horizontally or vertically

AVAILABLE LED COLORS (Kelvin)

3000K

6000K



AVAILABLE COLORS:

BLACK



WHITE



PINK



MODELS AND SPECIFICATIONS

MODELS	PRODUCT NUMBERS	DIMENSIONS	LUMENS	WATTS	WEIGHT
Dressing 70 X 28	LCMIR-DRE-7028-30/60K-BK	70"W x 28"H x 2.5"D	6480/7680lm	72W	80lbs
Dressing 70 X 28	LCMIR-DRE-7028-30/60K-WH	70"W x 28"H x 2.5"D	6480/7680lm	72W	80lbs
Dressing 70 X 28	LCMIR-DRE-7028-30/60K-PK	70"W x 28"H x 2.5"D	6480/7680lm	72W	80lbs
Dressing 85 X 40	LCMIR-DRE-8540-30/60K-BK	85"W x 40"H x 2.5"D	7020/8320lm	78W	154lbs
Dressing 85 X 40	LCMIR-DRE-8540-30/60K-WH	85"W x 40"H x 2.5"D	7020/8320lm	78W	154lbs
Dressing 85 X 40	LCMIR-DRE-8540-30/60K-PK	85"W x 40"H x 2.5"D	7020/8320lm	78W	154lbs



COLOR RENDERING INDEX

The color rendering index (CRI) of a light source is a quantitative measure of its ability to reproduce the colors of various objects faithfully in comparison with an ideal or natural light source.

In general terms, CRI is a measure of a light source's ability to show object colors "realistically" or "naturally".

We only use LED CRI 90+.

COLOR TEMPERATURE

We offer 2 different light colors for our mirrors.

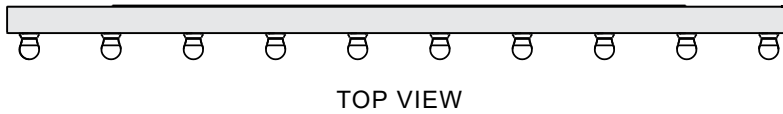
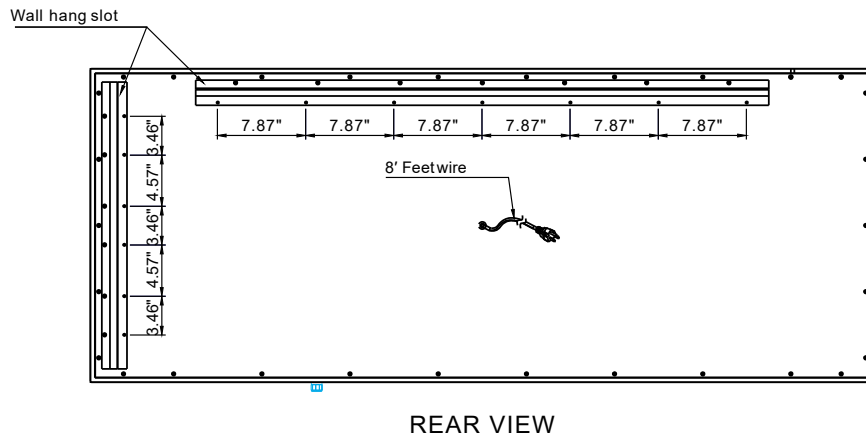
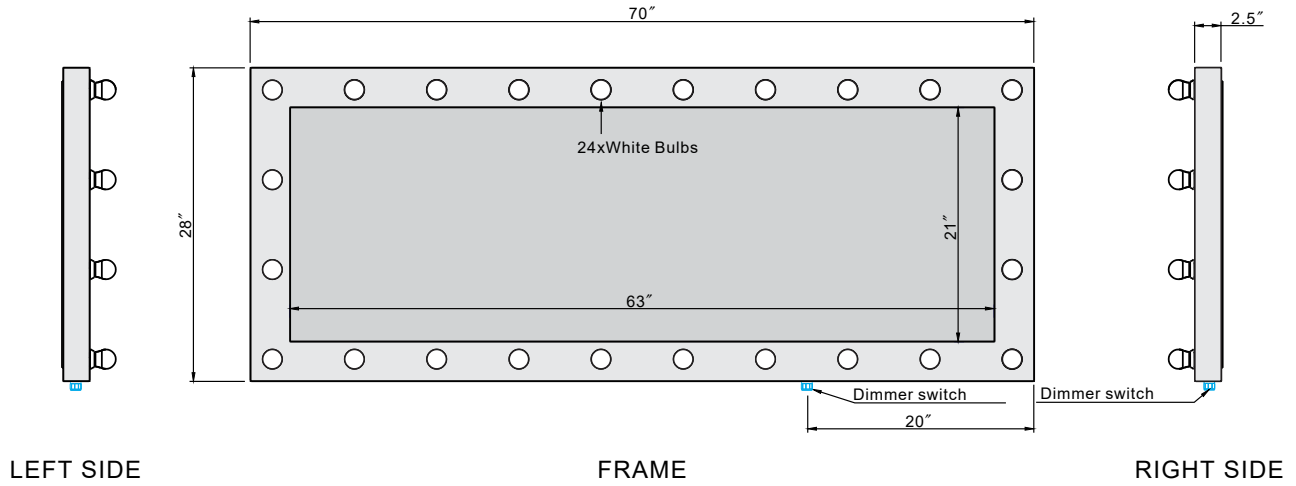
6000K: Pure white color light. It is the most popular color for makeup application and hairstyling.

In addition, the 6000K is 15% brighter than the 3000K light color. 85% of our customers choose the 6000K light color.

3000K: Warm white color light, the light is a little yellow.

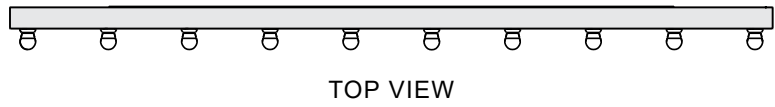
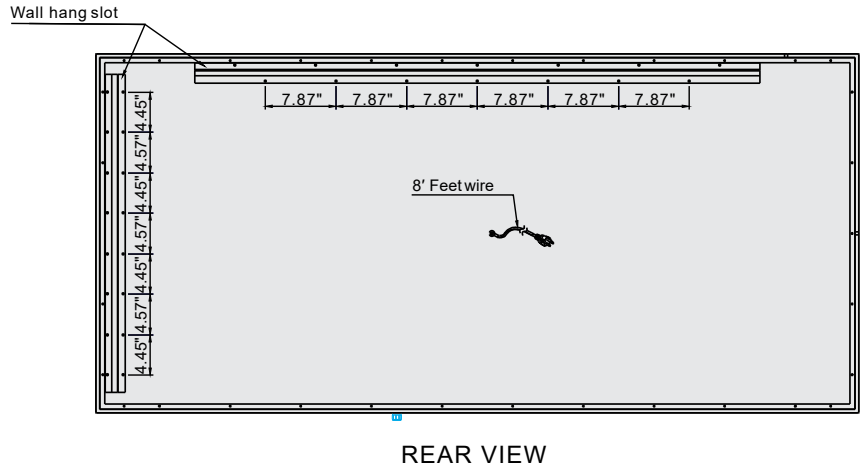
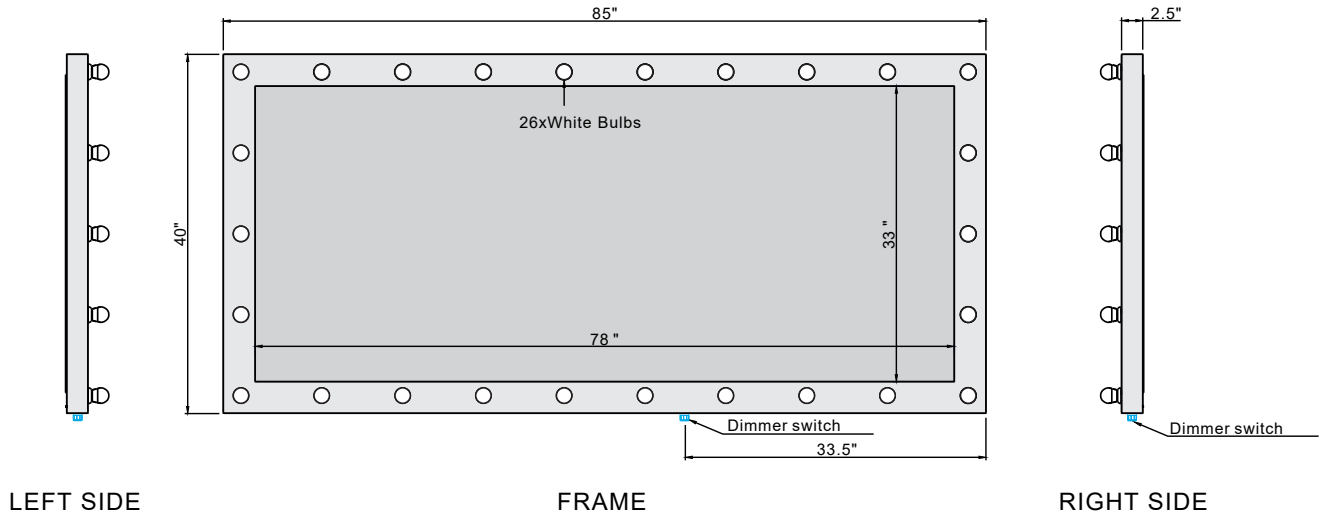


DRESSING 70 X 28



8' Feetwire

DRESSING 85 X 40



INSTALLATION & AFTER CARE INSTRUCTIONS

Installation:

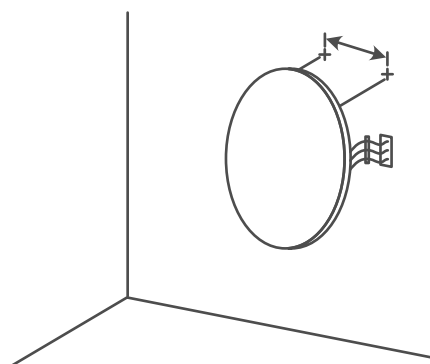
- All our LED mirrors have been independently tested for compliance with electrical equipment (safety) regulations.
- All illuminated and backlit mirrors are IP44 rated.
- Illuminated mirrors have been designed and independently tested for compliance to electrical equipment (safety) regulations, and are UL Certified.
- LEDs have a life expectancy of 120,000 hours of continuous use. All LED light fittings are replaceable and are available through our customer service.
- IMPORTANT: Always switch off the electrical supply at the mains during installation and maintenance.
- It is recommended that fuse is withdrawn or circuit breaker switched off before installation begins.
- Fitting in Bathrooms is subject to all regulations. It is not suitable for product installations in Saunas, Steam Rooms, or shower cubicles and it is recommended for permanent installation.

Care Safety:

- Wear suitable eye wear protection when drilling. Use caution when using power tools near water, beware of hidden cables or pipes.
- Take care if drilling on tiled surfaces in case the drill slips. A piece of masking tape applied to wall before marking out fixing holes will stop drill from moving.

Cleaning & Maintenance:

- It is recommended that the unit is cleaned with a soft, dry, non-abrasive cloth when turned off.
- Never use cleaning agents or abrasive material on any type of surface finish.
- Do not strike glass components with hard or pointed items.
- Do not place very hot or cold items against or close proximity to glass surfaces.



120V DIMMABLE LED DRIVER INCLUDED

- 1-Decide on wall positional placement.
- 2-Prepare & install wall hooks measured to distance between mirror's
- 3-Match & attach 3 electrical wires from mirror to home electrical wires: Live to Live, Ground to Ground, Neutral to Neutral.
- 4-Hang and affix to wall.

DESCRIPTION

- TYPE: Back-Lit Mirror
- SHAPE: Round
- Dimmable with any standard MLV / TRIAC dimmer wall switch
- CRI 90+
- IP Rating: 44
- 120V wiring
- Approx. 120,000 Hours Lifetime
- Complete UL and cUL Certification
- Hangs horizontally or vertically

AVAILABLE LED COLORS (Kelvin)

3000K

6000K



MODELS AND SPECIFICATIONS

MODELS	PRODUCT NUMBERS	DIMENSIONS	LUMENS	WATTS	WEIGHT
Original Round 32 X 32	LCMIR-ORIRO-3232-30/60K	32"W x 32"H x 1.6"D	4480/4490lm	41W	22lbs
Original Round 40 X 40	LCMIR-ORIRO-4040-30/60K	40"W x 40"H x 1.6"D	5440/5450lm	49W	33lbs
Original Round 48 X 48	LCMIR-ORIRO-4848-30/60K	48"W x 48"H x 1.6"D	6900/6900lm	59W	47lbs



COLOR RENDERING INDEX

The color rendering index (CRI) of a light source is a quantitative measure of its ability to reproduce the colors of various objects faithfully in comparison with an ideal or natural light source.

In general terms, CRI is a measure of a light source's ability to show object colors "realistically" or "naturally".

We only use LED CRI 90+.

COLOR TEMPERATURE

We offer 2 different light colors for our mirrors.

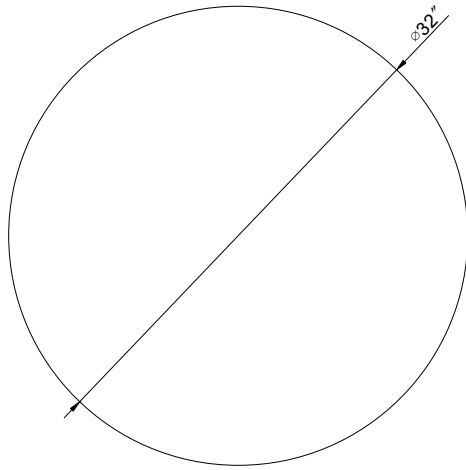
6000K: Pure white color light. It is the most popular color for makeup application and hairstyling.

In addition, the 6000K is 15% brighter than the 3000K light color. 85% of our customers choose the 6000K light color.

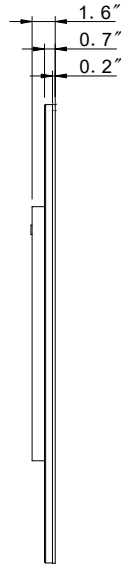
3000K: Warm white color light, the light is a little yellow.



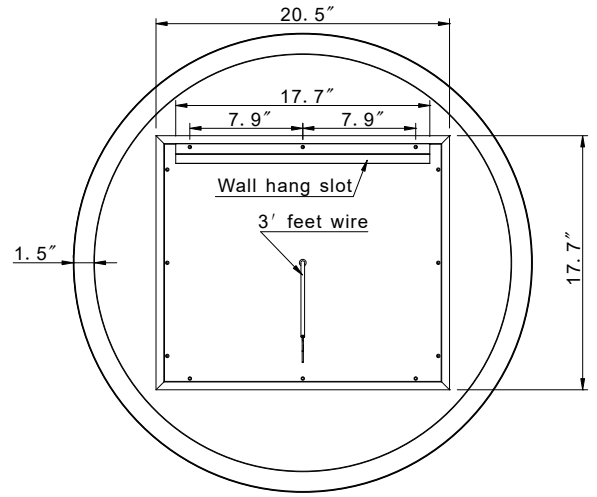
ORIGINAL ROUND 32 X 32



FRONT VIEW

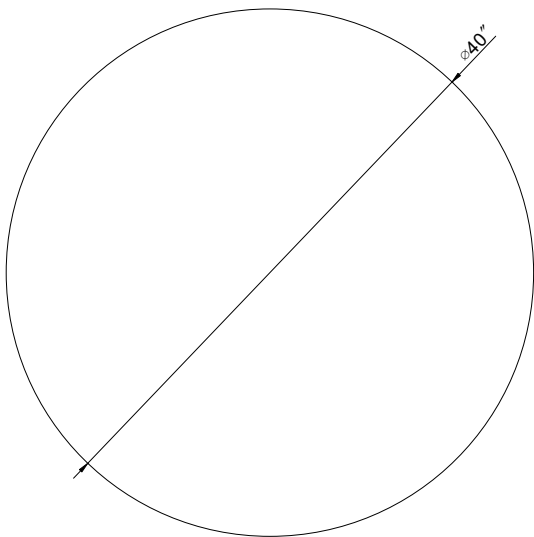


RIGHT SIDE

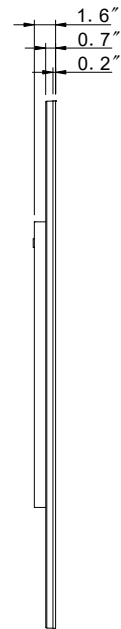


REAR VIEW

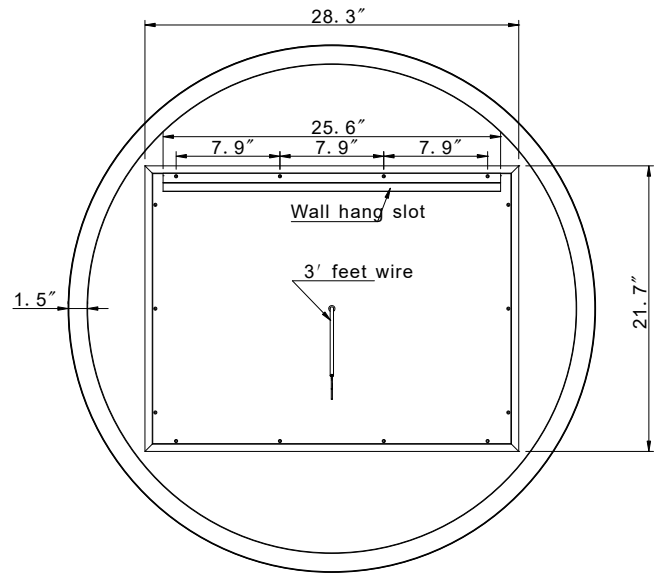
ORIGINAL ROUND 40 X 40



FRONT VIEW

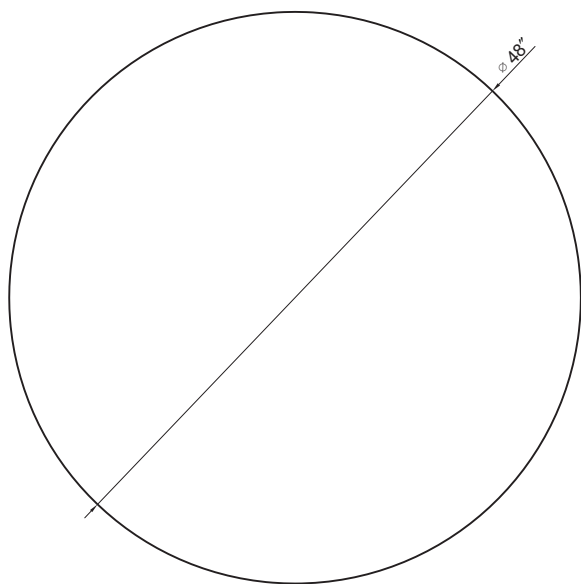


RIGHT SIDE

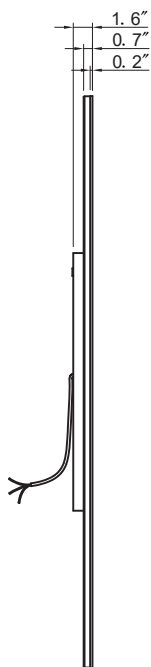


REAR VIEW

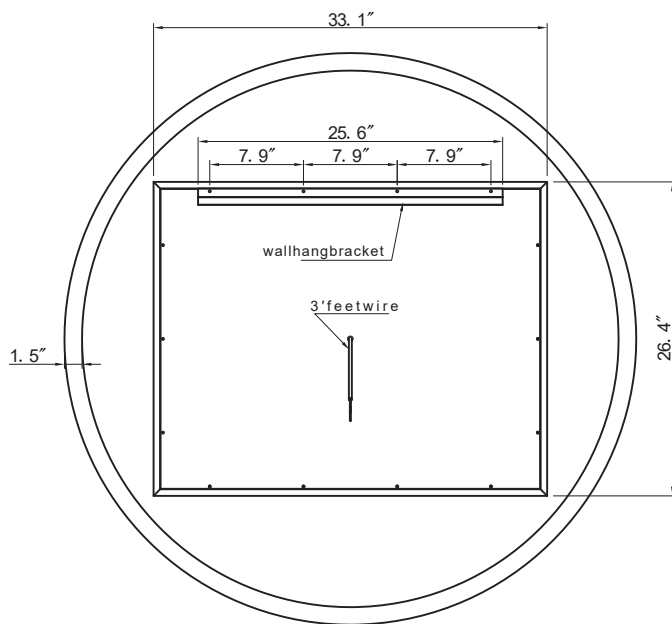
ORIGINAL ROUND 48 X 48



FRONT VIEW



RIGHT SIDE



REAR VIEW

INSTALLATION & AFTER CARE INSTRUCTIONS

Installation:

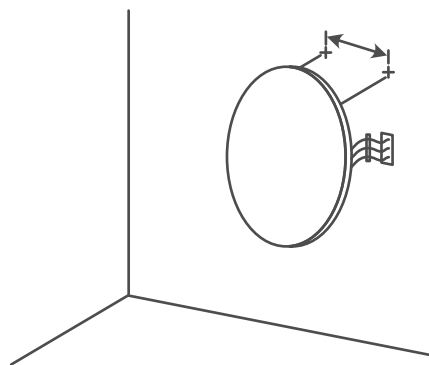
- All our LED mirrors have been independently tested for compliance with electrical equipment (safety) regulations.
- All illuminated and backlit mirrors are IP44 rated.
- Illuminated mirrors have been designed and independently tested for compliance to electrical equipment (safety) regulations, and are UL Certified.
- LEDs have a life expectancy of 120,000 hours of continuous use. All LED light fittings are replaceable and are available through our customer service.
- IMPORTANT: Always switch off the electrical supply at the mains during installation and maintenance.
- It is recommended that fuse is withdrawn or circuit breaker switched off before installation begins.
- Fitting in Bathrooms is subject to all regulations. It is not suitable for product installations in Saunas, Steam Rooms, or shower cubicles and it is recommended for permanent installation.

Care Safety:

- Wear suitable eye wear protection when drilling. Use caution when using power tools near water, beware of hidden cables or pipes.
- Take care if drilling on tiled surfaces in case the drill slips. A piece of masking tape applied to wall before marking out fixing holes will stop drill from moving.

Cleaning & Maintenance:

- It is recommended that the unit is cleaned with a soft, dry, non-abrasive cloth when turned off.
- Never use cleaning agents or abrasive material on any type of surface finish.
- Do not strike glass components with hard or pointed items.
- Do not place very hot or cold items against or close proximity to glass surfaces.



120V DIMMABLE LED DRIVER INCLUDED

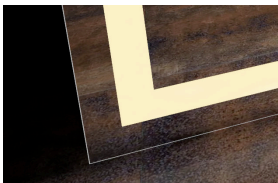
- 1-Decide on wall positional placement.
- 2-Prepare & install wall hooks measured to distance between mirror's
- 3-Match & attach 3 electrical wires from mirror to home electrical wires: Live to Live, Ground to Ground, Neutral to Neutral.
- 4-Hang and affix to wall.

DESCRIPTION

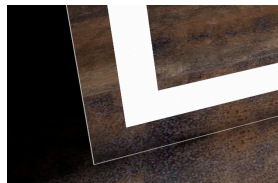
- TYPE: Back-Lit Mirror
- SHAPE: Square
- Dimmable with any standard MLV / TRIAC dimmer wall switch
- CRI 90+
- IP Rating: 44
- 120V wiring
- Approx. 120,000 Hours Lifetime
- Complete UL and cUL Certification
- Hangs horizontally or vertically

AVAILABLE LED COLORS (Kelvin)

3000K



6000K



MODELS AND SPECIFICATIONS

MODELS	PRODUCT NUMBERS	DIMENSIONS	LUMENS	WATTS	WEIGHT
Original Rectangle 20 X 28	LCMIR-ORIRO-2028-30/60K	20"W x 28"H x 1.6"D	4460/4590lm	38W	17lbs
Original Rectangle 24 X 36	LCMIR-ORIRO-2436-30/60K	24"W x 36"H x 1.6"D	5440/5450lm	49W	22lbs
Original Rectangle 36 X 36	LCMIR-ORIRO-3636-30/60K	36"W x 36"H x 1.6"D	6410/6430lm	58W	39lbs
Original Rectangle 48 X 35	LCMIR-ORIRO-4835-30/60K	48"W x 35"H x 1.6"D	7620/7830lm	65W	40lbs
Original Rectangle 60 X 36	LCMIR-ORIRO-6036-30/60K	60"W x 36"H x 1.6"D	8940/9180lm	76W	58lbs
Original Rectangle 70 X 32	LCMIR-ORIRO-7032-30/60K	70"W x 32"H x 1.6"D	9920/9940lm	90W	63lbs
Original Rectangle 85 X 40	LCMIR-ORIRO-8540-30/60K	85"W x 40"H x 1.6"D	11860/11880lm	107W	93lbs
Original Rectangle 100 X 45	LCMIR-ORIRO-10045-30/60K	100"W x 45"H x 1.6"D	12830/12860lm	116W	121lbs



COLOR RENDERING INDEX

The color rendering index (CRI) of a light source is a quantitative measure of its ability to reproduce the colors of various objects faithfully in comparison with an ideal or natural light source.

In general terms, CRI is a measure of a light source's ability to show object colors "realistically" or "naturally".

We only use LED CRI 90+.

COLOR TEMPERATURE

We offer 2 different light colors for our mirrors.

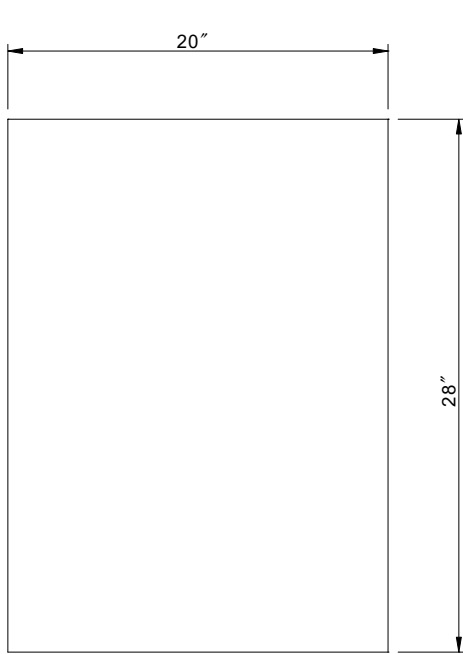
6000K: Pure white color light. It is the most popular color for makeup application and hairstyling.

In addition, the 6000K is 15% brighter than the 3000K light color. 85% of our customers choose the 6000K light color.

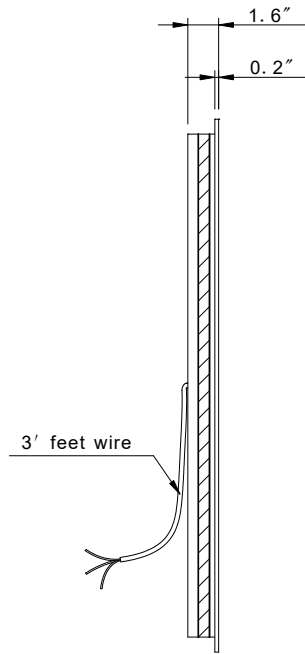
3000K: Warm white color light, the light is a little yellow.



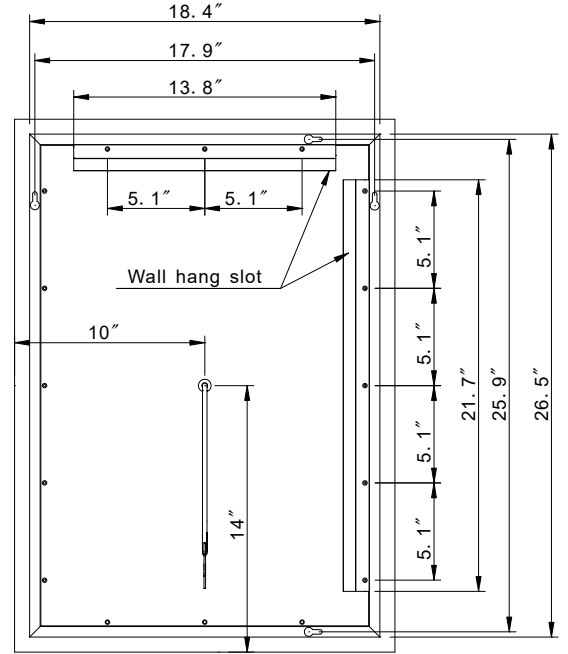
ORIGINAL RECTANGLE 20 X 28



FRONT VIEW

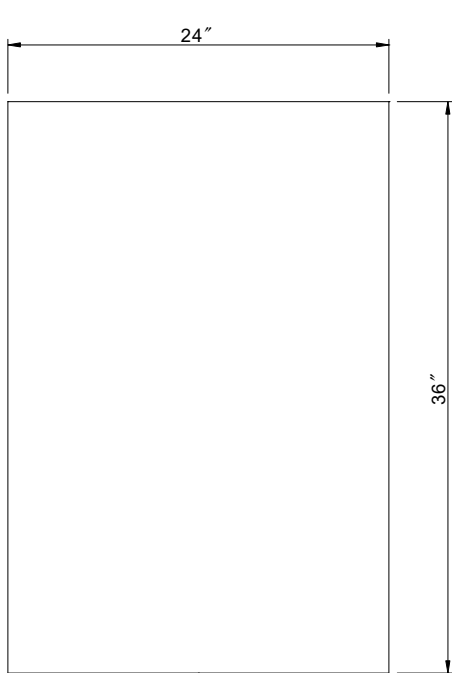


LEFT SIDE

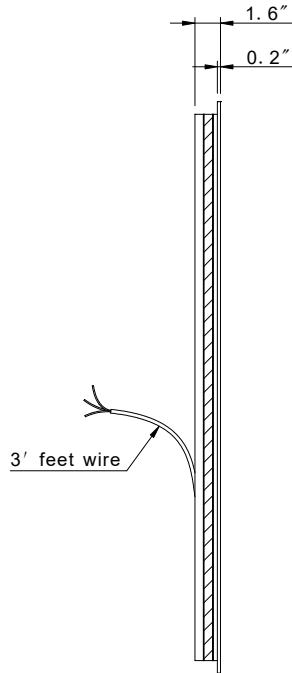


REAR VIEW

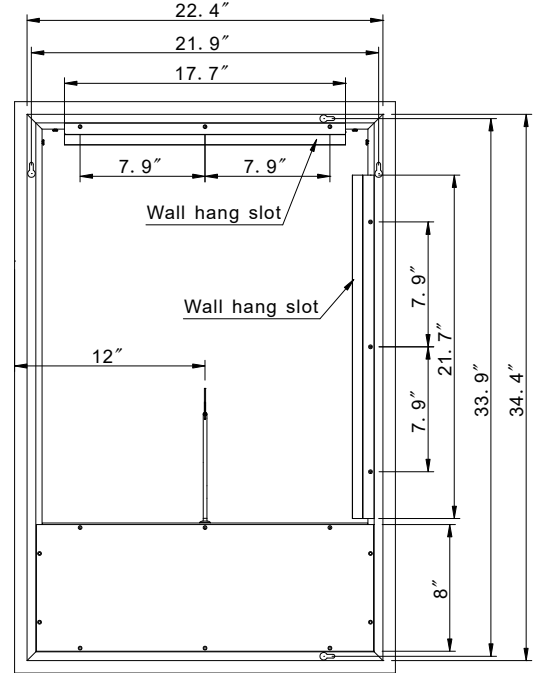
ORIGINAL RECTANGLE 24 X 36



FRONT VIEW

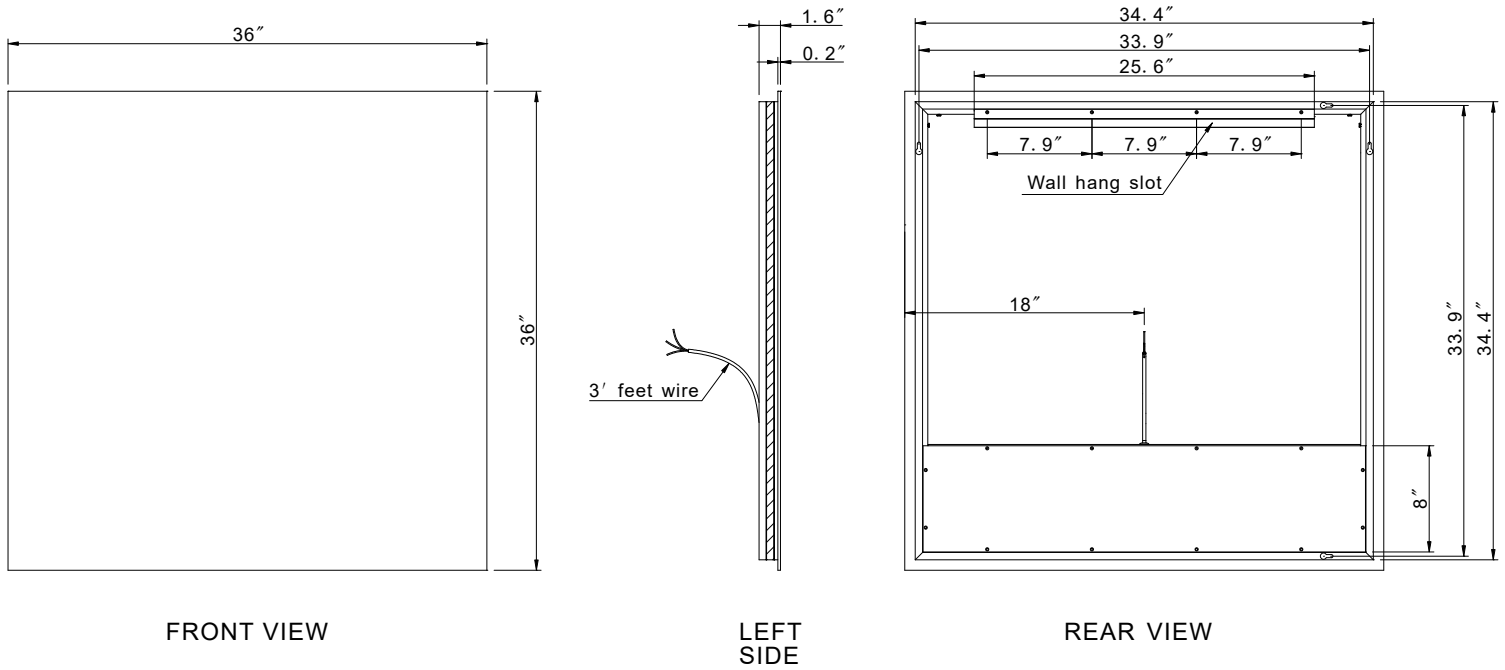


LEFT SIDE

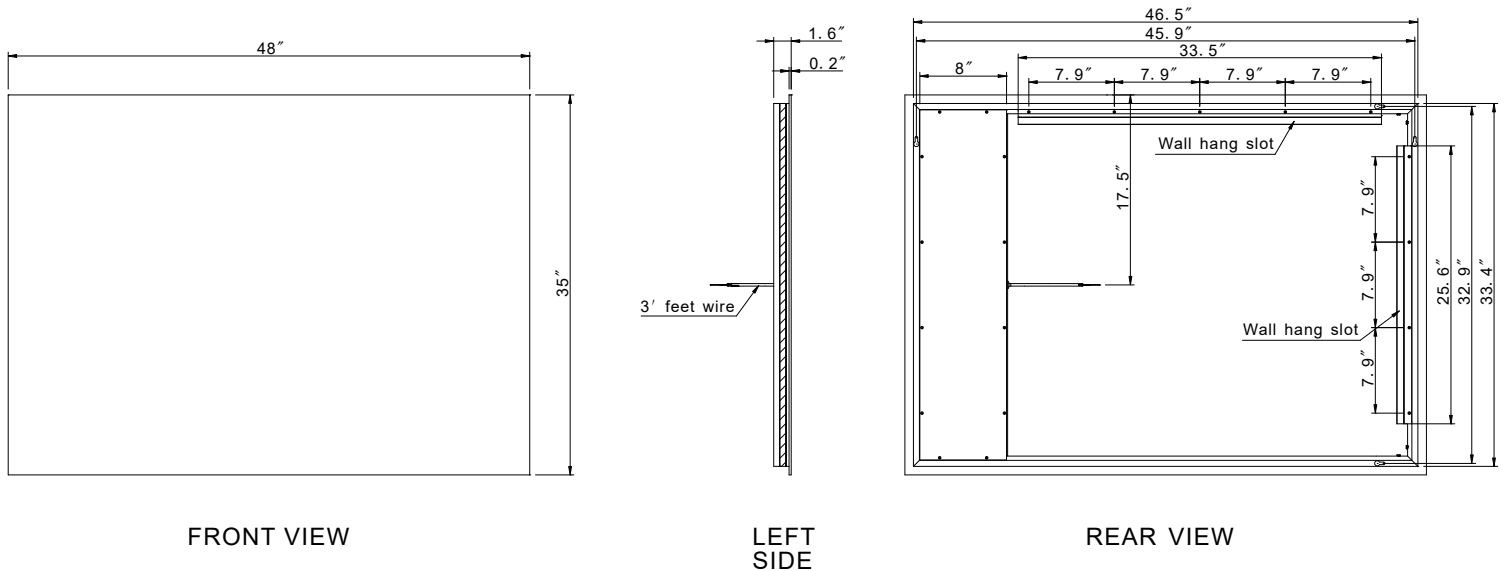


REAR VIEW

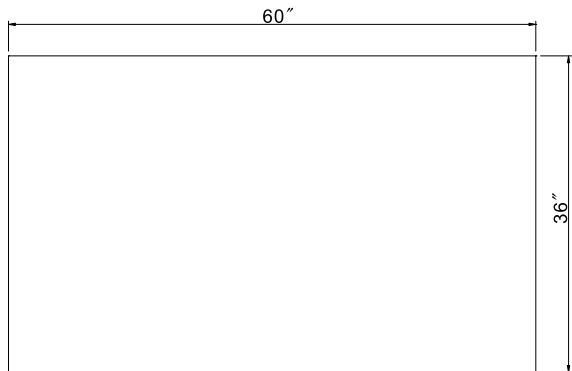
ORIGINAL RECTANGLE 36 X 36



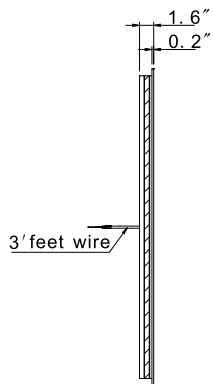
ORIGINAL RECTANGLE 48 X 35



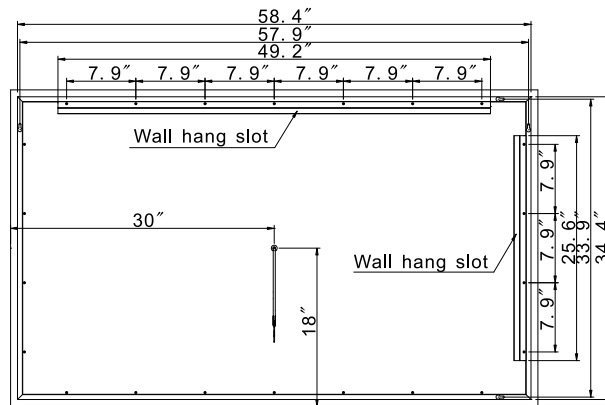
ORIGINAL RECTANGLE 60 X 36



FRONT VIEW



LEFT SIDE

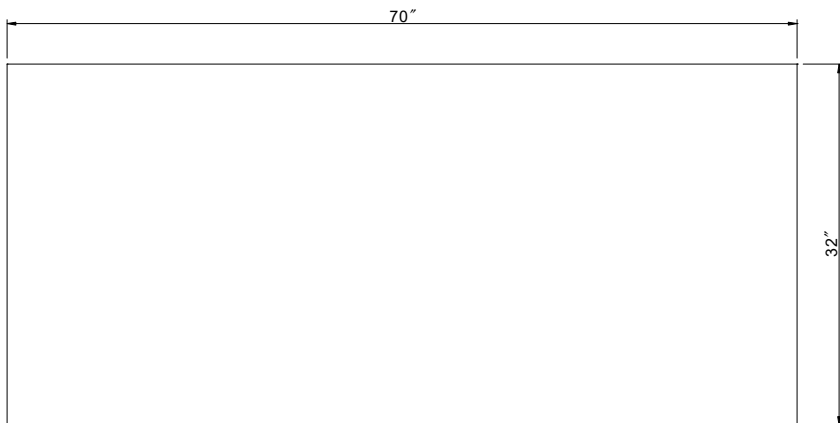


REAR VIEW

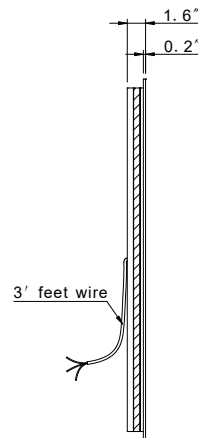


TOP VIEW

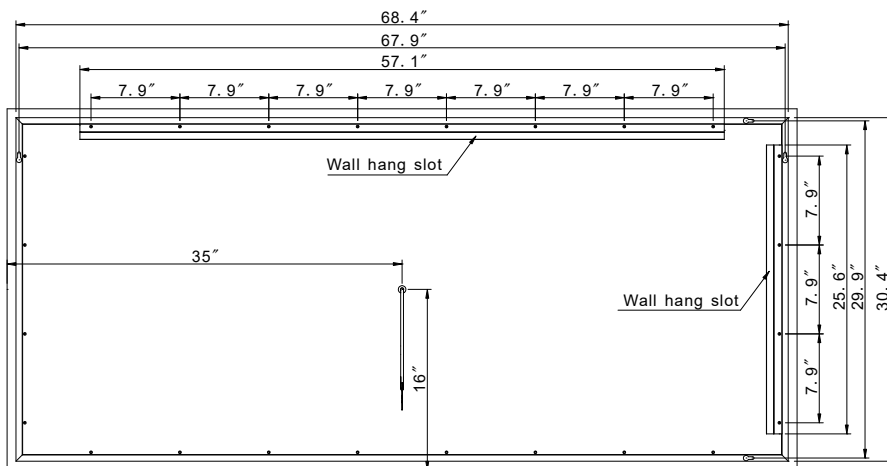
ORIGINAL RECTANGLE 70 X 32



FRONT VIEW

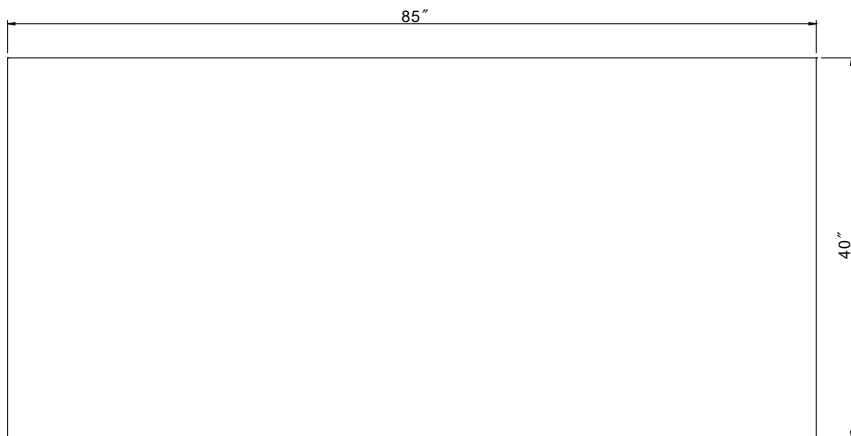


LEFT SIDE

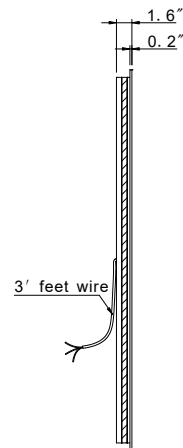


REAR VIEW

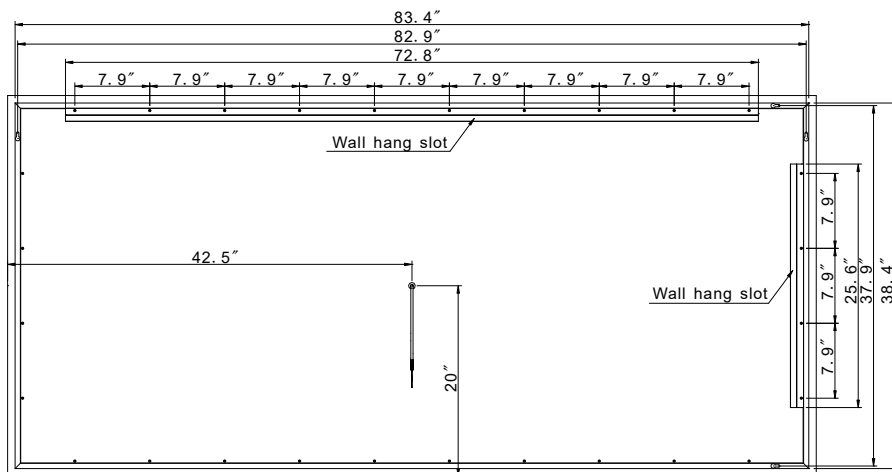
ORIGINAL RECTANGLE 85 X 40



FRONT VIEW

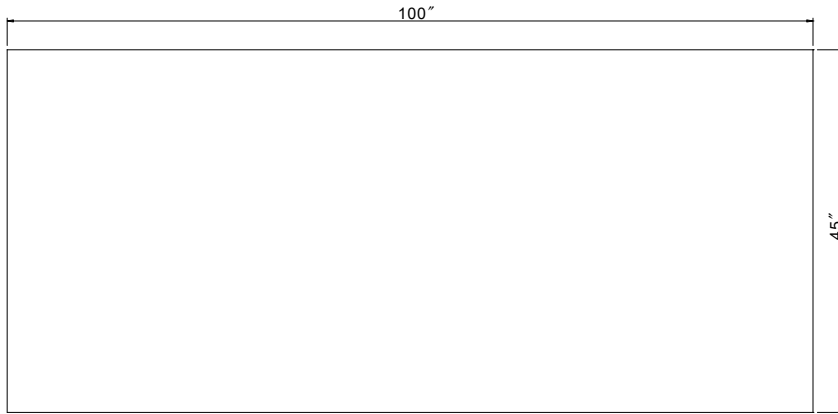


LEFT SIDE

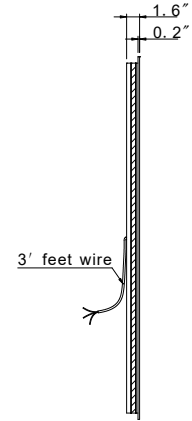


REAR VIEW

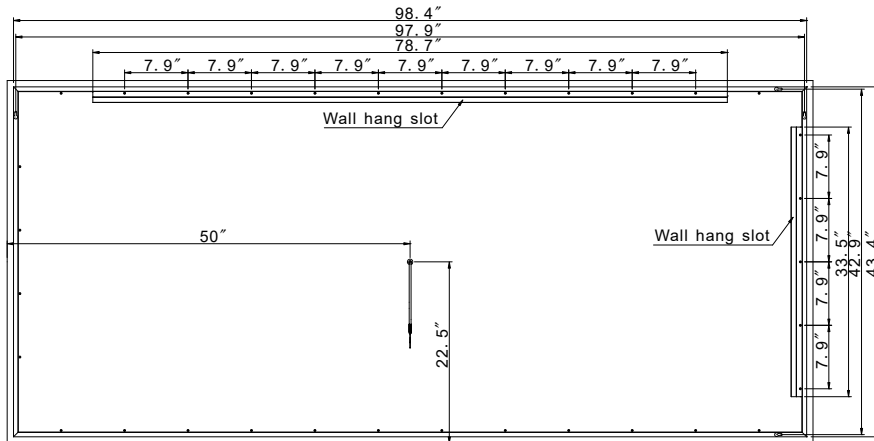
ORIGINAL RECTANGLE 100 X 45



FRONT VIEW



LEFT SIDE



REAR VIEW

INSTALLATION & AFTER CARE INSTRUCTIONS

Installation:

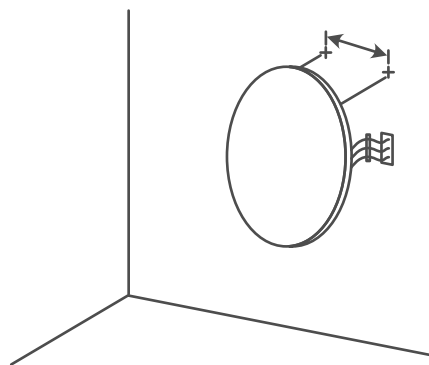
- All our LED mirrors have been independently tested for compliance with electrical equipment (safety) regulations.
- All illuminated and backlit mirrors are IP44 rated.
- Illuminated mirrors have been designed and independently tested for compliance to electrical equipment (safety) regulations, and are UL Certified.
- LEDs have a life expectancy of 120,000 hours of continuous use. All LED light fittings are replaceable and are available through our customer service.
- IMPORTANT: Always switch off the electrical supply at the mains during installation and maintenance.
- It is recommended that fuse is withdrawn or circuit breaker switched off before installation begins.
- Fitting in Bathrooms is subject to all regulations. It is not suitable for product installations in Saunas, Steam Rooms, or shower cubicles and it is recommended for permanent installation.

Care Safety:

- Wear suitable eye wear protection when drilling. Use caution when using power tools near water, beware of hidden cables or pipes.
- Take care if drilling on tiled surfaces in case the drill slips. A piece of masking tape applied to wall before marking out fixing holes will stop drill from moving.

Cleaning & Maintenance:

- It is recommended that the unit is cleaned with a soft, dry, non-abrasive cloth when turned off.
- Never use cleaning agents or abrasive material on any type of surface finish.
- Do not strike glass components with hard or pointed items.
- Do not place very hot or cold items against or close proximity to glass surfaces.



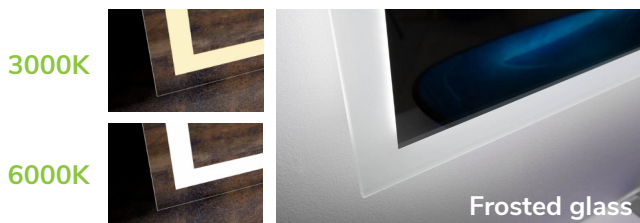
120V DIMMABLE LED DRIVER INCLUDED

- 1-Decide on wall positional placement.
- 2-Prepare & install wall hooks measured to distance between mirror's
- 3-Match & attach 3 electrical wires from mirror to home electrical wires: Live to Live, Ground to Ground, Neutral to Neutral.
- 4-Hang and affix to wall.

DESCRIPTION

- TYPE: Back-Lit Mirror
- SHAPE: Oval
- Dimmable with any standard MLV / TRIAC dimmer wall switch
- CRI 90+
- IP Rating: 44
- 120V wiring
- Approx. 120,000 Hours Lifetime
- Complete UL and cUL Certification
- Hangs horizontally or vertically

AVAILABLE LED COLORS (Kelvin)



MODELS AND SPECIFICATIONS

MODELS	PRODUCT NUMBERS	DIMENSIONS	LUMENS	WATTS	WEIGHT
Frosted Ov. Backlit 20 X 28	LCMIR-FROOV-BL-2028-30/60K	20"W x 28"H x 1.6"D	3100/3190lm	27W	15lbs
Frosted Ov. Backlit 24 X 36	LCMIR-FROOV-BL-2436-30/60K	24"W x 36"H x 1.6"D	4140/4250lm	35W	21lbs
Frosted Ov. Backlit 30 X 48	LCMIR-FROOV-BL-3048-30/60K	30"W x 48"H x 1.6"D	5440/5450lm	49W	32lbs



COLOR RENDERING INDEX

The color rendering index (CRI) of a light source is a quantitative measure of its ability to reproduce the colors of various objects faithfully in comparison with an ideal or natural light source.

In general terms, CRI is a measure of a light source's ability to show object colors "realistically" or "naturally".

We only use LED CRI 90+.

COLOR TEMPERATURE

We offer 2 different light colors for our mirrors.

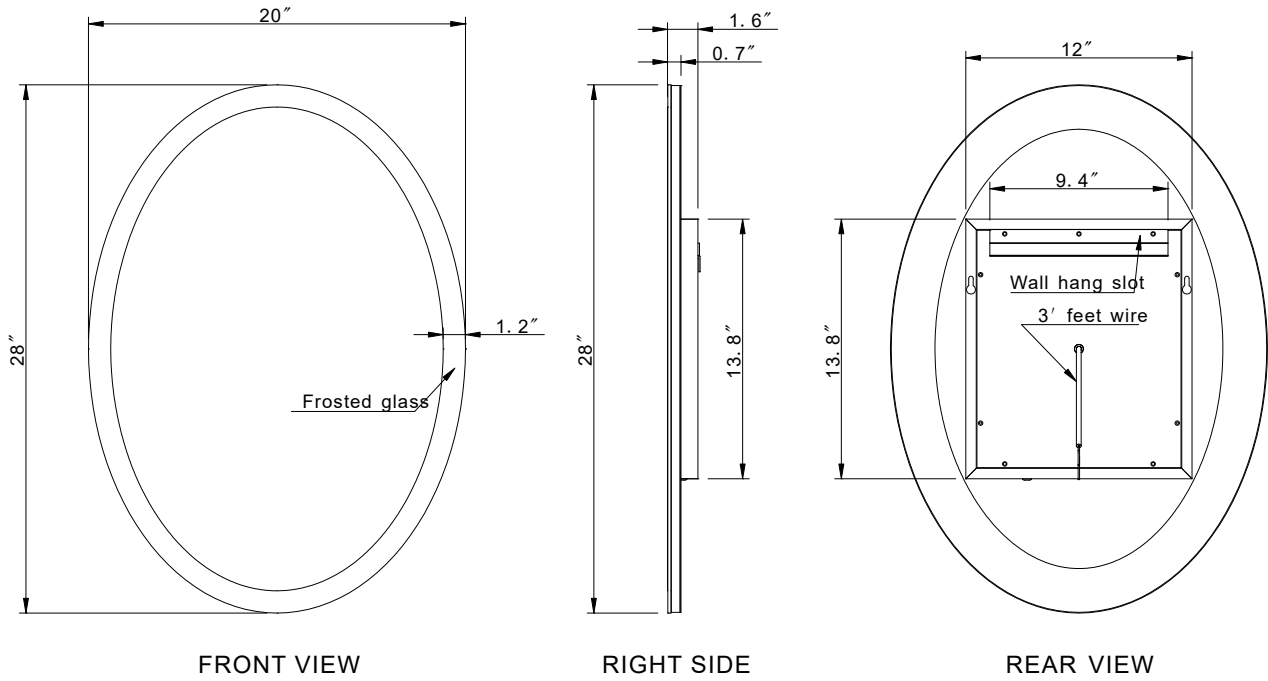
6000K: Pure white color light. It is the most popular color for makeup application and hairstyling.

In addition, the 6000K is 15% brighter than the 3000K light color. 85% of our customers choose the 6000K light color.

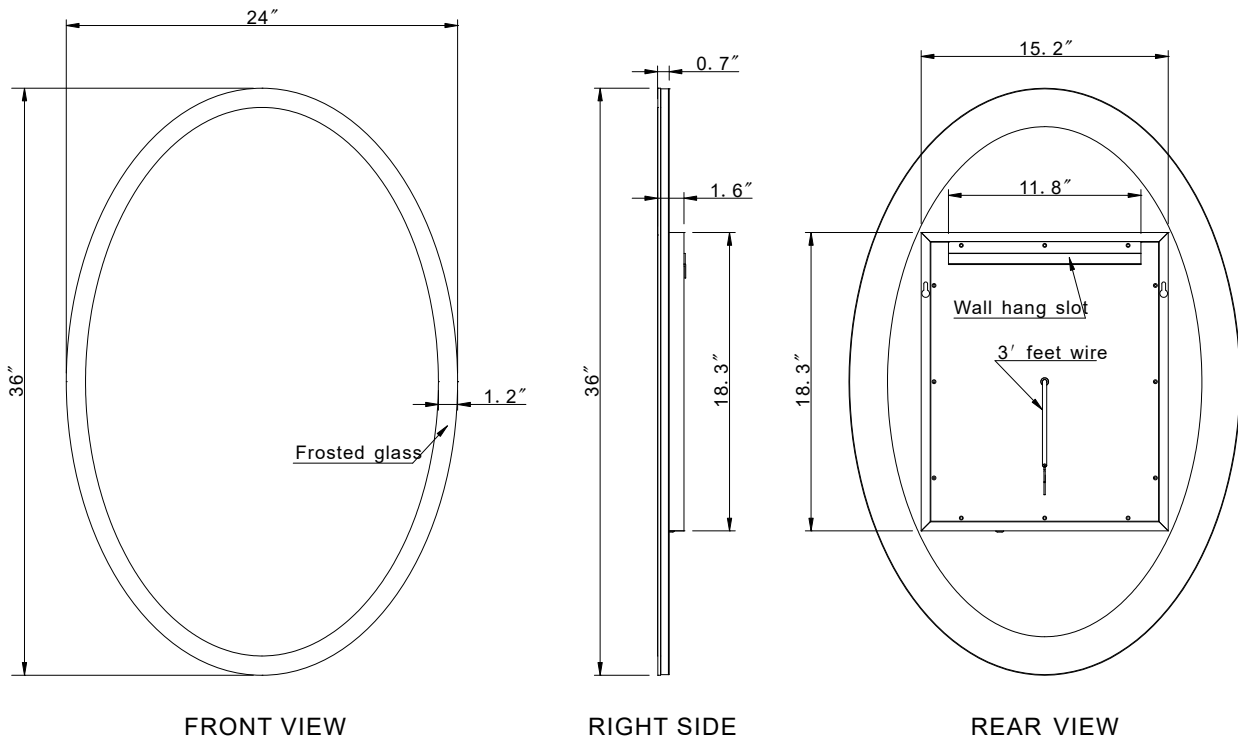
3000K: Warm white color light, the light is a little yellow.



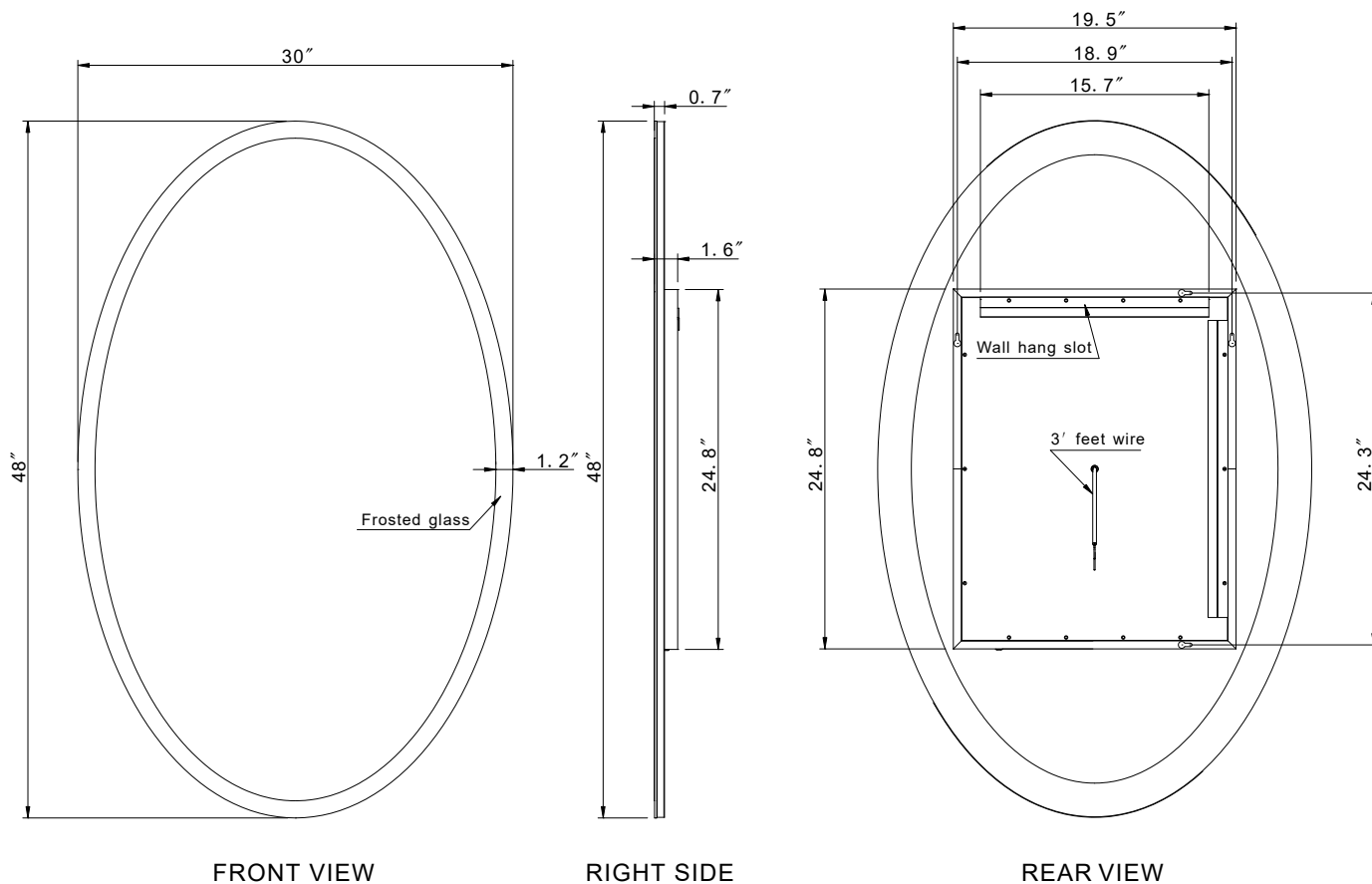
FROSTED OVAL BACKLIT 20 X 28



FROSTED OVAL BACKLIT 24 X 36



FROSTED OVAL BACKLIT 30 X 48



INSTALLATION & AFTER CARE INSTRUCTIONS

Installation:

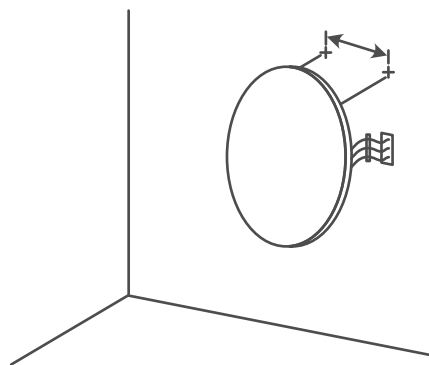
- All our LED mirrors have been independently tested for compliance with electrical equipment (safety) regulations.
- All illuminated and backlit mirrors are IP44 rated.
- Illuminated mirrors have been designed and independently tested for compliance to electrical equipment (safety) regulations, and are UL Certified.
- LEDs have a life expectancy of 120,000 hours of continuous use. All LED light fittings are replaceable and are available through our customer service.
- IMPORTANT: Always switch off the electrical supply at the mains during installation and maintenance.
- It is recommended that fuse is withdrawn or circuit breaker switched off before installation begins.
- Fitting in Bathrooms is subject to all regulations. It is not suitable for product installations in Saunas, Steam Rooms, or shower cubicles and it is recommended for permanent installation.

Care Safety:

- Wear suitable eye wear protection when drilling. Use caution when using power tools near water, beware of hidden cables or pipes.
- Take care if drilling on tiled surfaces in case the drill slips. A piece of masking tape applied to wall before marking out fixing holes will stop drill from moving.

Cleaning & Maintenance:

- It is recommended that the unit is cleaned with a soft, dry, non-abrasive cloth when turned off.
- Never use cleaning agents or abrasive material on any type of surface finish.
- Do not strike glass components with hard or pointed items.
- Do not place very hot or cold items against or close proximity to glass surfaces.



120V DIMMABLE LED DRIVER INCLUDED

- 1-Decide on wall positional placement.
- 2-Prepare & install wall hooks measured to distance between mirror's
- 3-Match & attach 3 electrical wires from mirror to home electrical wires: Live to Live, Ground to Ground, Neutral to Neutral.
- 4-Hang and affix to wall.

DESCRIPTION

- TYPE: Back-Lit Mirror
- SHAPE: Rectangle
- Dimmable with any standard MLV / TRIAC dimmer wall switch
- CRI 90+
- IP Rating: 44
- 120V wiring
- Approx. 120,000 Hours Lifetime
- Complete UL and cUL Certification
- Hangs horizontally or vertically

AVAILABLE LED COLORS (Kelvin)

3000K



6000K



MODELS AND SPECIFICATIONS

MODELS	PRODUCT NUMBERS	DIMENSIONS	LUMENS	WATTS	WEIGHT
Paris 48 X 28	LCMIR-PAR-4828-30/60K	48"W x 28"H x 1.6"D	4960/4970lm	45W	31lbs
Paris 40 X 35	LCMIR-PAR-4035-30/60K	40"W x 35"H x 1.6"D	4140/4250lm	35W	32lbs
Paris 96 X 28	LCMIR-PAR-9628-30/60K	96"W x 28"H x 1.6"D	8930/9180lm	76W	60lbs
Paris 80 X 35	LCMIR-PAR-8035-30/60K	80"W x 35"H x 1.6"D	7620/7830lm	65W	62lbs
Paris 100 X 45	LCMIR-PAR-10045-30/60K	100"W x 45"H x 1.6"D	9920/9940lm	90W	90lbs



COLOR RENDERING INDEX

The color rendering index (CRI) of a light source is a quantitative measure of its ability to reproduce the colors of various objects faithfully in comparison with an ideal or natural light source.

In general terms, CRI is a measure of a light source's ability to show object colors "realistically" or "naturally".

We only use LED CRI 90+.

COLOR TEMPERATURE

We offer 2 different light colors for our mirrors.

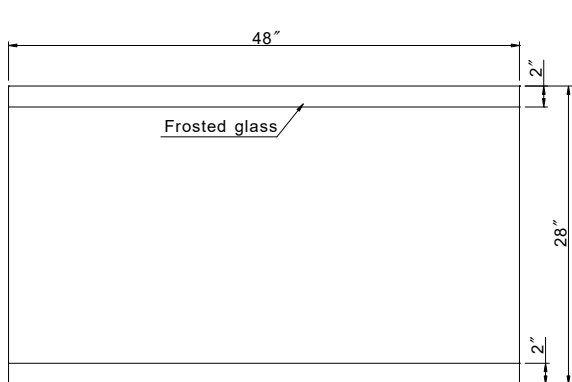
6000K: Pure white color light. It is the most popular color for makeup application and hairstyling.

In addition, the 6000K is 15% brighter than the 3000K light color. 85% of our customers choose the 6000K light color.

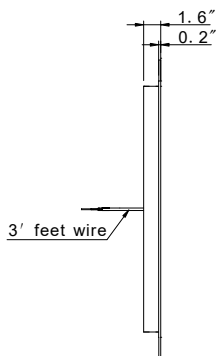
3000K: Warm white color light, the light is a little yellow.



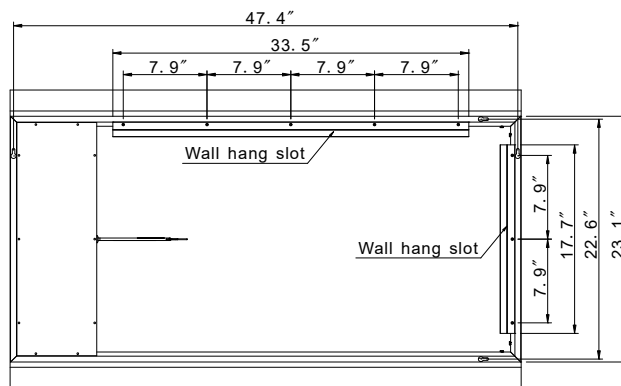
PARIS 48 X 28



FRONT VIEW



LEFT SIDE

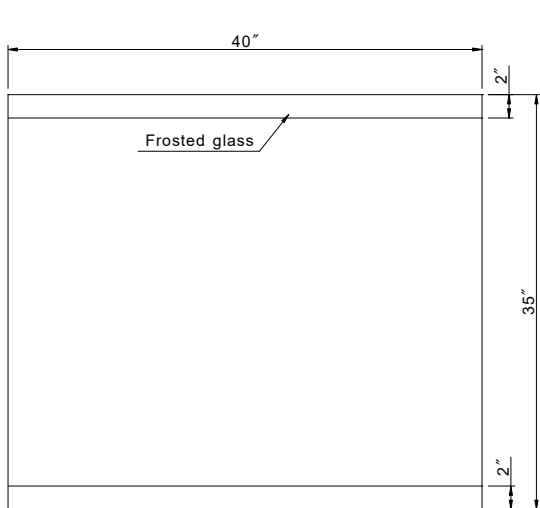


REAR VIEW

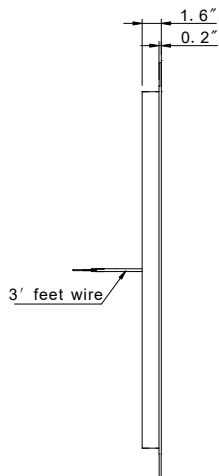


TOP VIEW

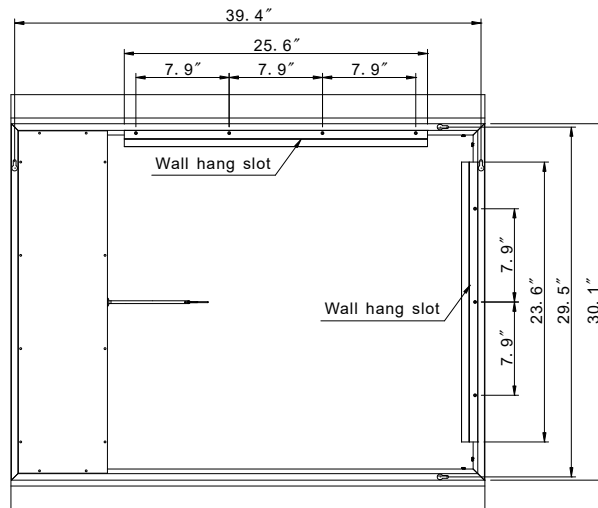
PARIS 40 X 35



FRONT VIEW



LEFT SIDE

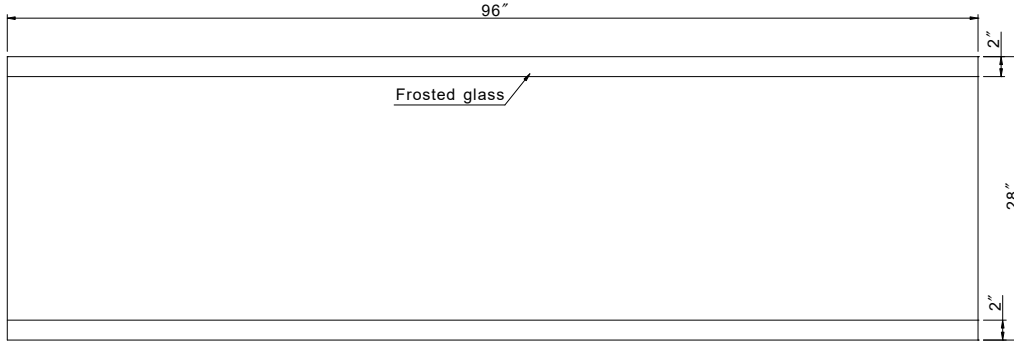


REAR VIEW

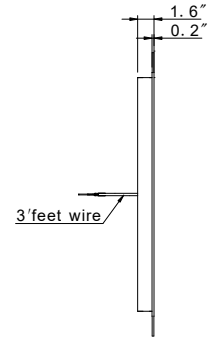


TOP VIEW

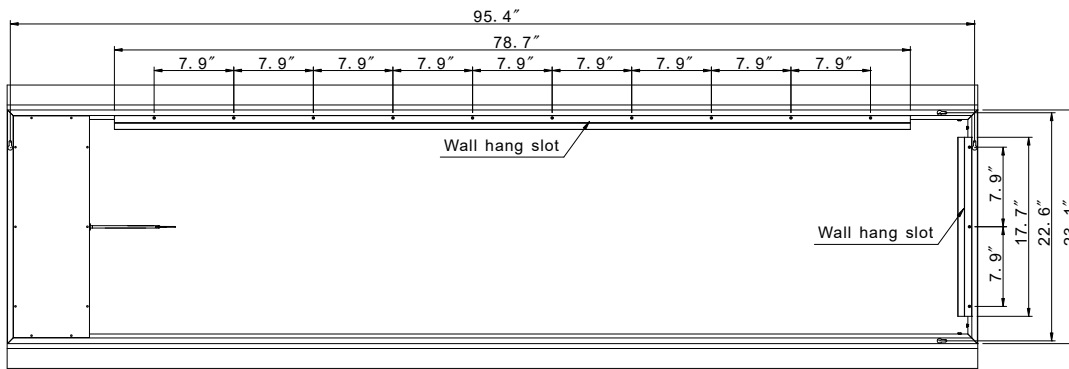
PARIS 96 X 28



FRONT VIEW



LEFT SIDE

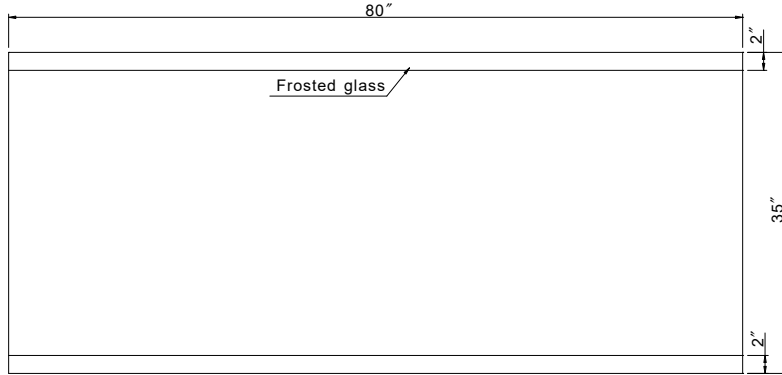


REAR VIEW

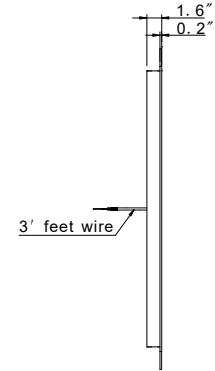


TOP VIEW

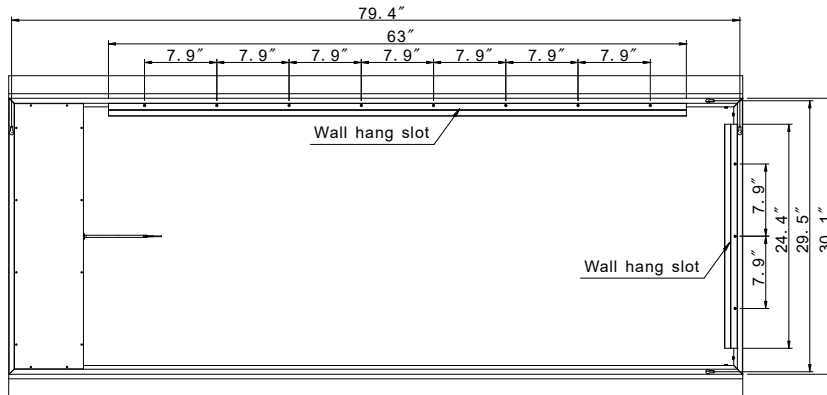
PARIS 80 X 35



FRONT VIEW



LEFT SIDE

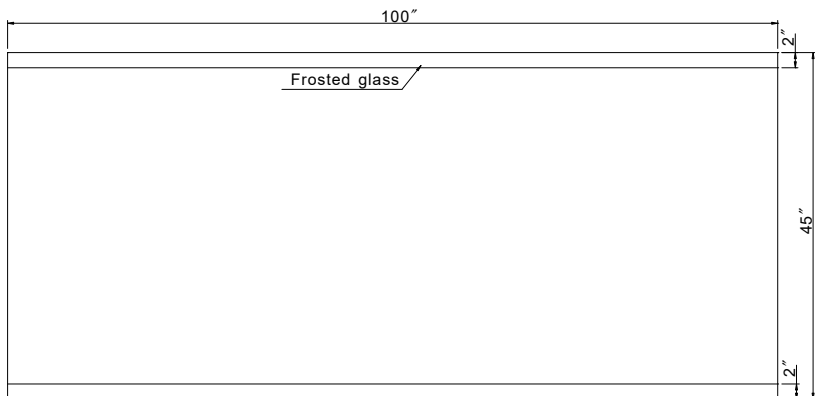


REAR VIEW

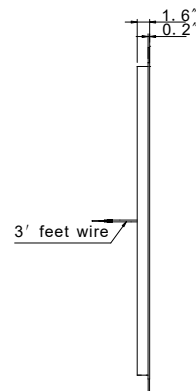


TOP VIEW

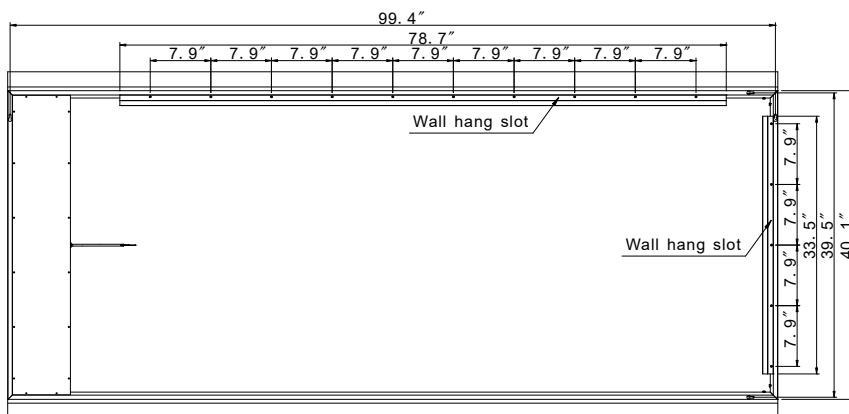
PARIS 100 X 45



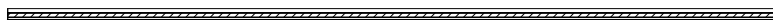
FRONT VIEW



LEFT SIDE



REAR VIEW



TOP VIEW

INSTALLATION & AFTER CARE INSTRUCTIONS

Installation:

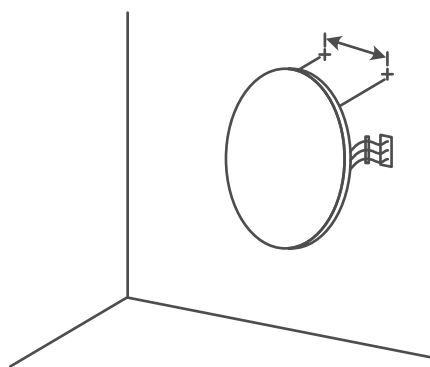
- All our LED mirrors have been independently tested for compliance with electrical equipment (safety) regulations.
- All illuminated and backlit mirrors are IP44 rated.
- Illuminated mirrors have been designed and independently tested for compliance to electrical equipment (safety) regulations, and are UL Certified.
- LEDs have a life expectancy of 120,000 hours of continuous use. All LED light fittings are replaceable and are available through our customer service.
- **IMPORTANT:** Always switch off the electrical supply at the mains during installation and maintenance.
- It is recommended that fuse is withdrawn or circuit breaker switched off before installation begins.
- Fitting in Bathrooms is subject to all regulations. It is not suitable for product installations in Saunas, Steam Rooms, or shower cubicles and it is recommended for permanent installation.

Care Safety:

- Wear suitable eye wear protection when drilling. Use caution when using power tools near water, beware of hidden cables or pipes.
- Take care if drilling on tiled surfaces in case the drill slips. A piece of masking tape applied to wall before marking out fixing holes will stop drill from moving.

Cleaning & Maintenance:

- It is recommended that the unit is cleaned with a soft, dry, non-abrasive cloth when turned off.
- Never use cleaning agents or abrasive material on any type of surface finish.
- Do not strike glass components with hard or pointed items.
- Do not place very hot or cold items against or close proximity to glass surfaces.



120V DIMMABLE LED DRIVER INCLUDED

- 1-Decide on wall positional placement.
- 2-Prepare & install wall hooks measured to distance between mirror's
- 3-Match & attach 3 electrical wires from mirror to home electrical wires: Live to Live, Ground to Ground, Neutral to Neutral.
- 4-Hang and affix to wall.

DESCRIPTION

- TYPE: Back-Lit Mirror
- SHAPE: Rectangle
- Dimmable with any standard MLV / TRIAC dimmer wall switch
- CRI 90+
- IP Rating: 44
- 120V wiring
- Approx. 120,000 Hours Lifetime
- Complete UL and cUL Certification
- Hangs horizontally or vertically

AVAILABLE LED COLORS (Kelvin)

3000K



6000K



Frosted glass



MODELS AND SPECIFICATIONS

MODELS	PRODUCT NUMBERS	DIMENSIONS	LUMENS	WATTS	WEIGHT
Frosted Re. Backlit 20 X 28	LCMIR-FRORE-BL-2028-30/60K	20"W x 28"H x 1.6"D	3810/3910lm	33W	17lbs
Frosted Re. Backlit 24 X 32	LCMIR-FRORE-BL-2432-30/60K	24"W x 32"H x 1.6"D	4480/4490lm	41W	22lbs
Frosted Re. Backlit 40 X 24	LCMIR-FRORE-BL-4024-30/60K	40"W x 24"H x 1.6"D	5440/5450lm	49W	26lbs
Frosted Re. Backlit 40 X 36	LCMIR-FRORE-BL-4036-30/60K	40"W x 36"H x 1.6"D	6410/6430lm	58W	39lbs
Frosted Re. Backlit 36 X 36	LCMIR-FRORE-BL-3636-30/60K	36"W x 36"H x 1.6"D	5930/5940lm	54W	39lbs
Frosted Re. Backlit 48 X 28	LCMIR-FRORE-BL-4828-30/60K	48"W x 28"H x 1.6"D	6410/6430lm	58W	36lbs
Frosted Re. Backlit 48 X 36	LCMIR-FRORE-BL-4836-30/60K	48"W x 36"H x 1.6"D	7620/7830lm	65W	51lbs
Frosted Re. Backlit 55 X 28	LCMIR-FRORE-BL-5528-30/60K	55"W x 28"H x 1.6"D	7620/7830lm	65W	42lbs
Frosted Re. Backlit 42 X 42	LCMIR-FRORE-BL-4242-30/60K	42"W x 42"H x 1.6"D	7620/7830lm	65W	51lbs
Frosted Re. Backlit 60 X 36	LCMIR-FRORE-BL-6036-30/60K	60"W x 36"H x 1.6"D	8280/8510lm	71W	60lbs
Frosted Re. Backlit 70 X 32	LCMIR-FRORE-BL-7032-30/60K	70"W x 32"H x 1.6"D	8930/9180lm	76W	62lbs
Frosted Re. Backlit 79 X 30	LCMIR-FRORE-BL-7930-30/60K	79"W x 30"H x 1.6"D	9920/9940lm	90W	67lbs
Frosted Re. Backlit 70 X 45	LCMIR-FRORE-BL-7045-30/60K	70"W x 45"H x 1.6"D	9920/9940lm	90W	82lbs
Frosted Re. Backlit 85 X 40	LCMIR-FRORE-BL-8540-30/60K	85"W x 40"H x 1.6"D	10890/10910lm	98W	93lbs
Frosted Re. Backlit 100 X 45	LCMIR-FRORE-BL-10045-30/60K	100"W x 45"H x 1.6"D	12830/12860lm	116W	121lbs



COLOR RENDERING INDEX

The color rendering index (CRI) of a light source is a quantitative measure of its ability to reproduce the colors of various objects faithfully in comparison with an ideal or natural light source.

In general terms, CRI is a measure of a light source's ability to show object colors "realistically" or "naturally".

We only use LED CRI 90+.

COLOR TEMPERATURE

We offer 2 different light colors for our mirrors.

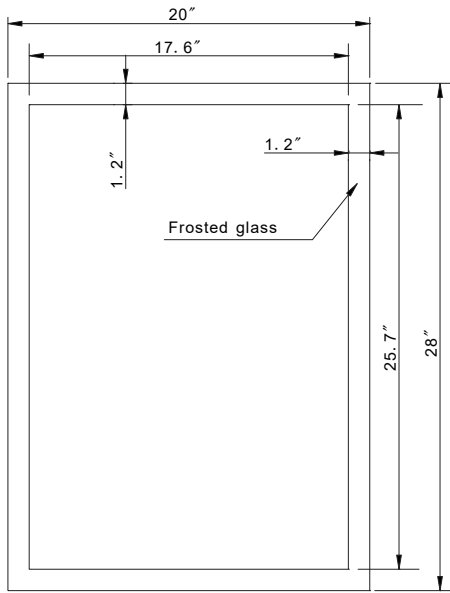
6000K: Pure white color light. It is the most popular color for makeup application and hairstyling.

In addition, the 6000K is 15% brighter than the 3000K light color. 85% of our customers choose the 6000K light color.

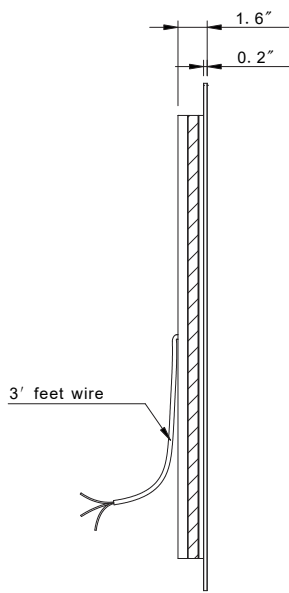
3000K: Warm white color light, the light is a little yellow.



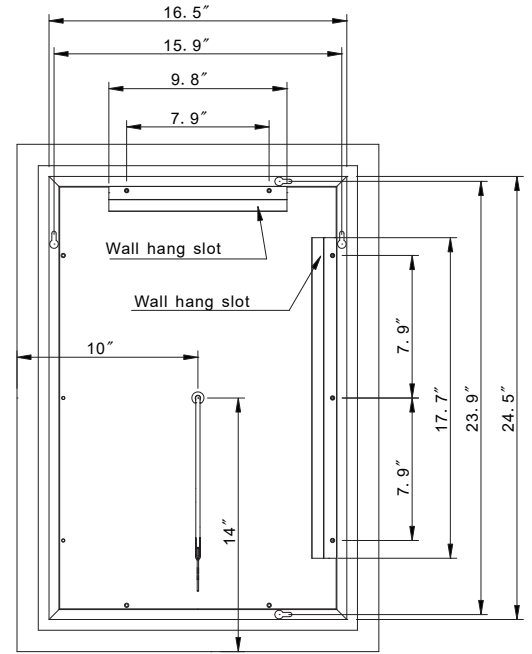
FROSTED RECTANGLE BACKLIT 20 X 28



FRONT VIEW

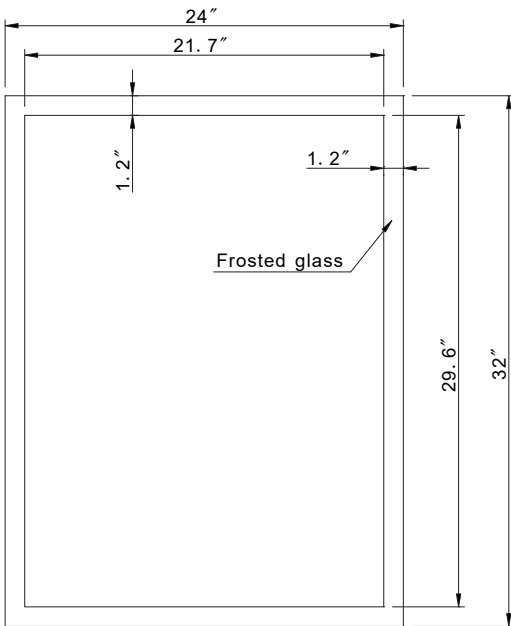


LEFT SIDE

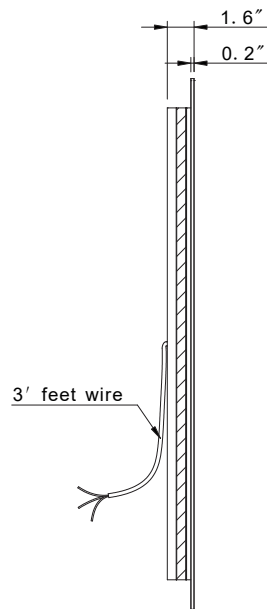


REAR VIEW

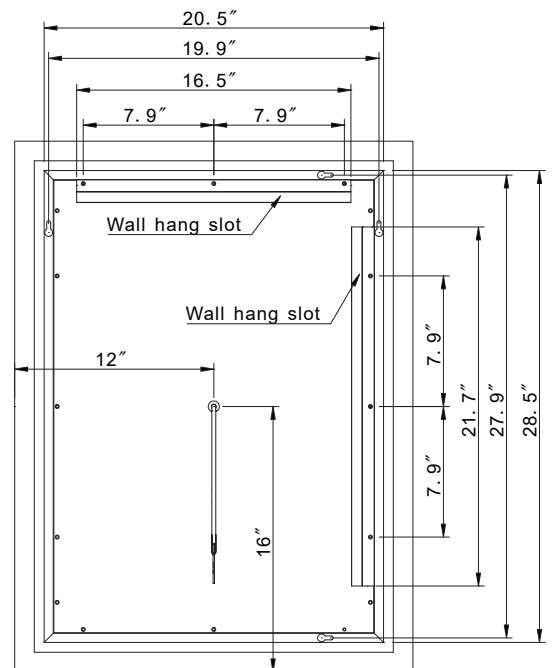
FROSTED RECTANGLE BACKLIT 24 X 32



FRONT VIEW

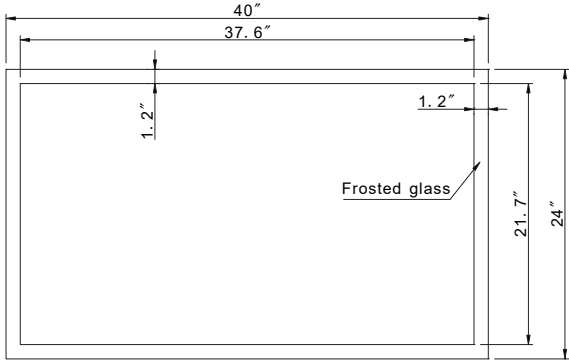


LEFT SIDE

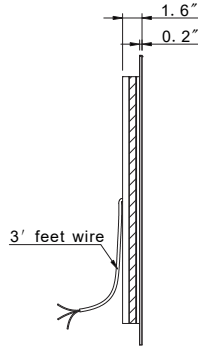


REAR VIEW

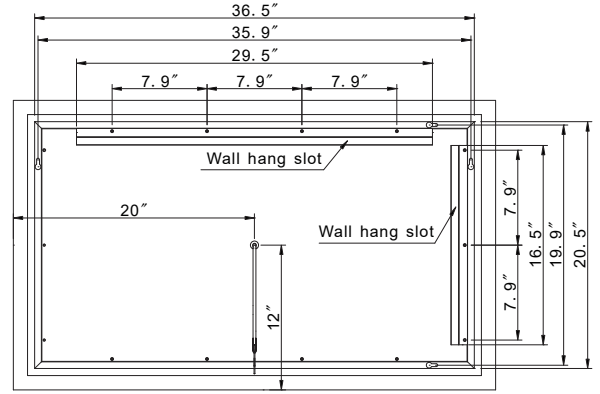
FROSTED RECTANGLE BACKLIT 40 X 24



FRONT VIEW

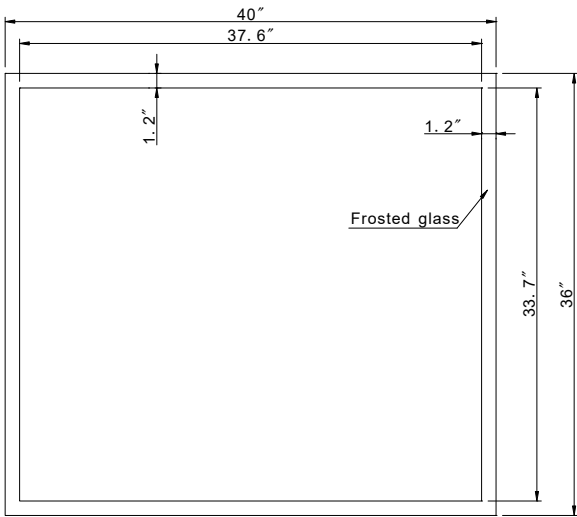


LEFT SIDE

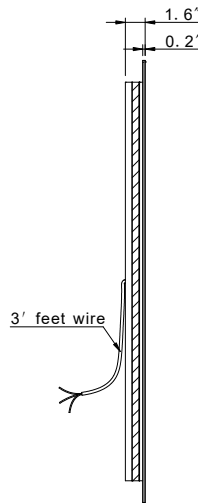


REAR VIEW

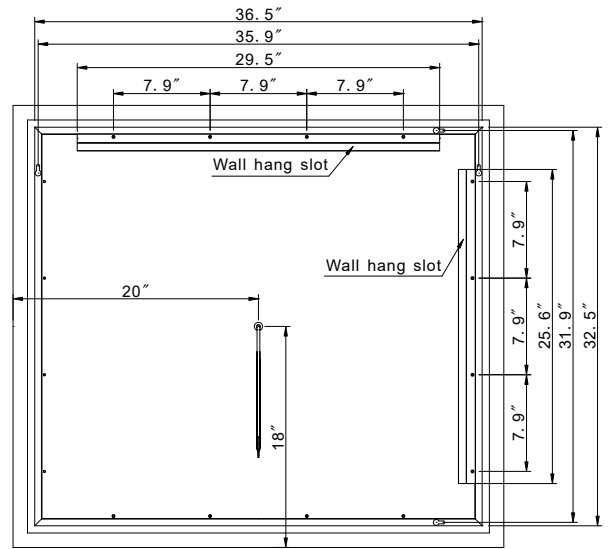
FROSTED RECTANGLE BACKLIT 40 X 36



FRONT VIEW

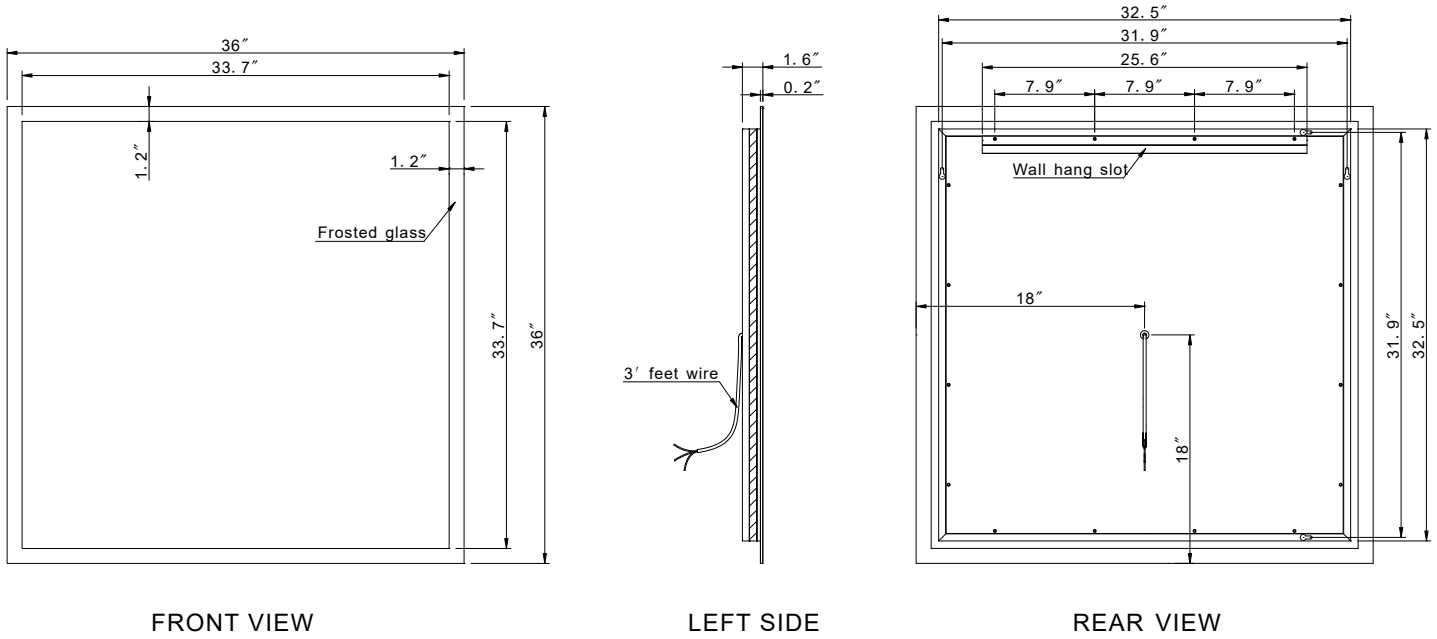


LEFT SIDE

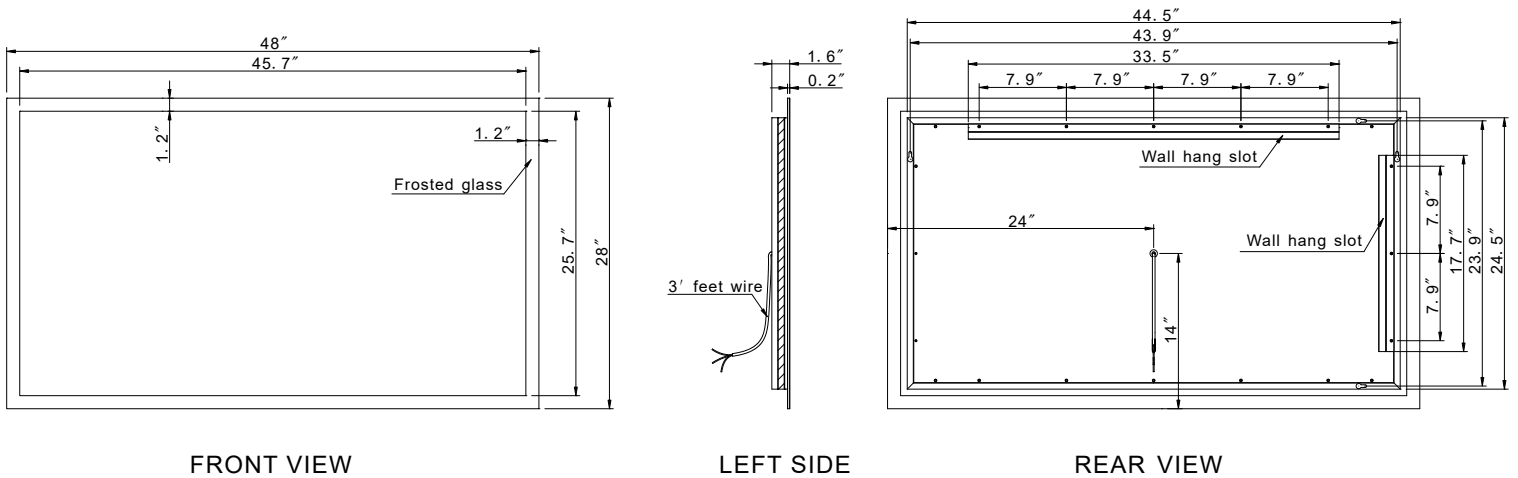


REAR VIEW

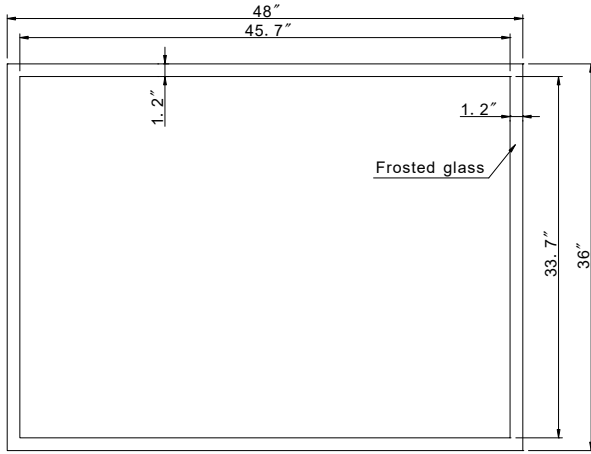
FROSTED RECTANGLE BACKLIT 36 X 36



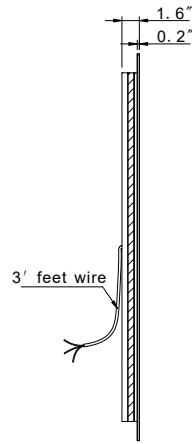
FROSTED RECTANGLE BACKLIT 48 X 28



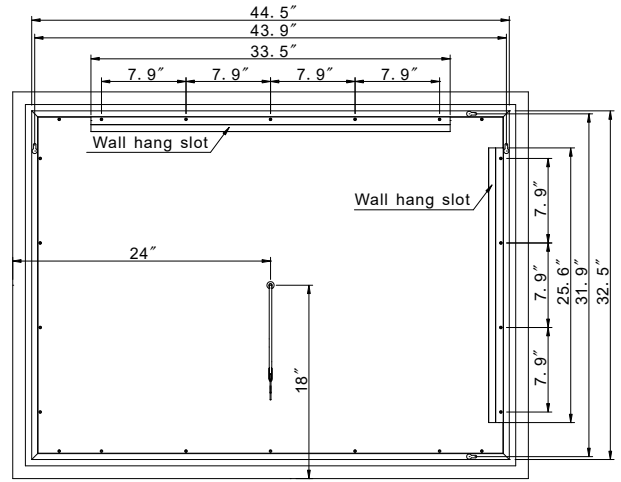
FROSTED RECTANGLE BACKLIT 48 X 36



FRONT VIEW

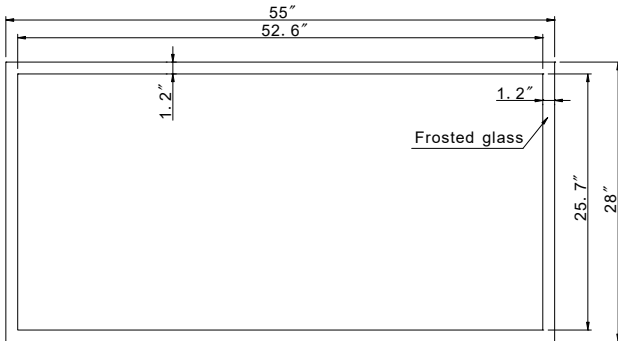


LEFT SIDE

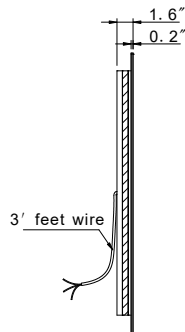


REAR VIEW

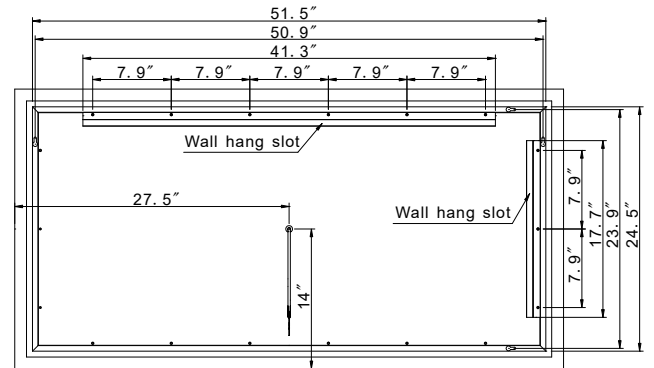
FROSTED RECTANGLE BACKLIT 55 X 28



FRONT VIEW

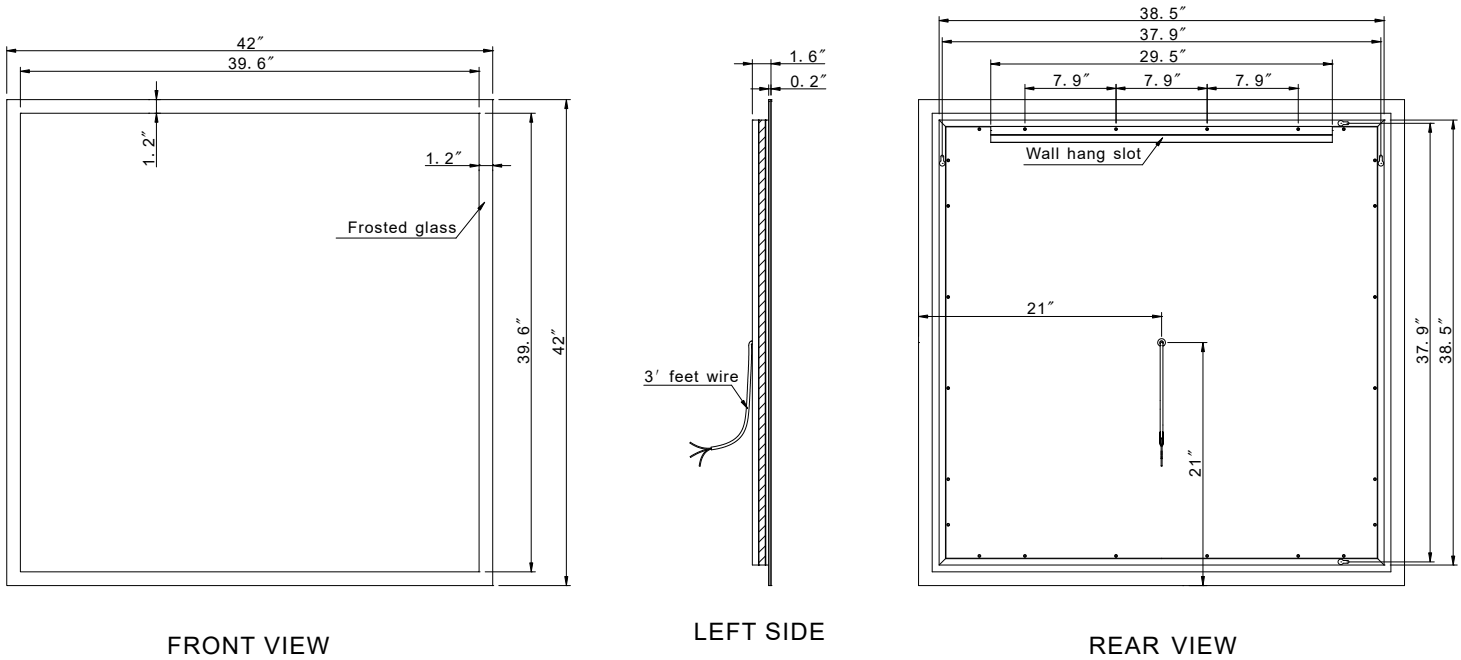


LEFT SIDE

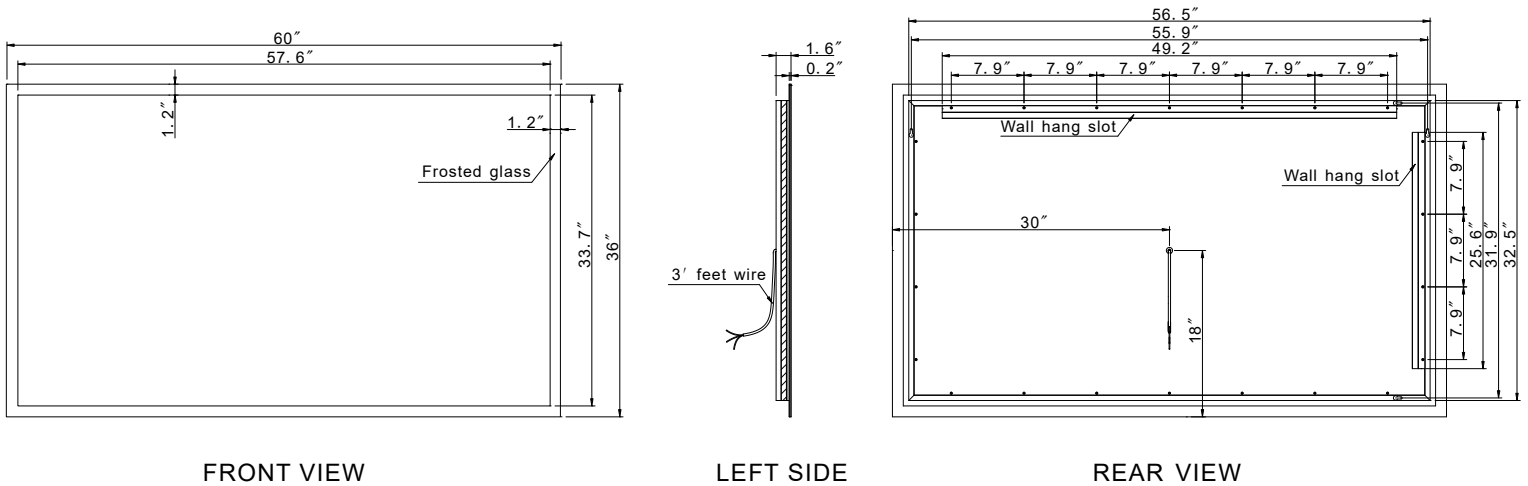


REAR VIEW

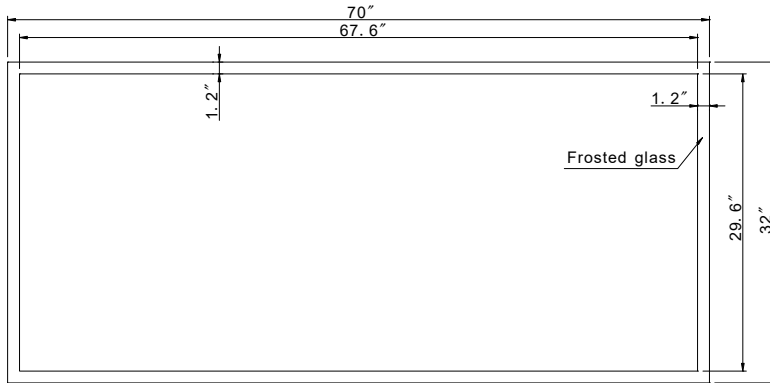
FROSTED RECTANGLE BACKLIT 42 X 42



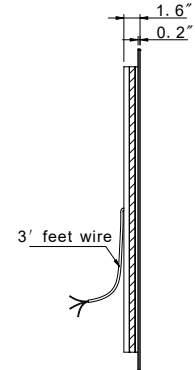
FROSTED RECTANGLE BACKLIT 60 X 36



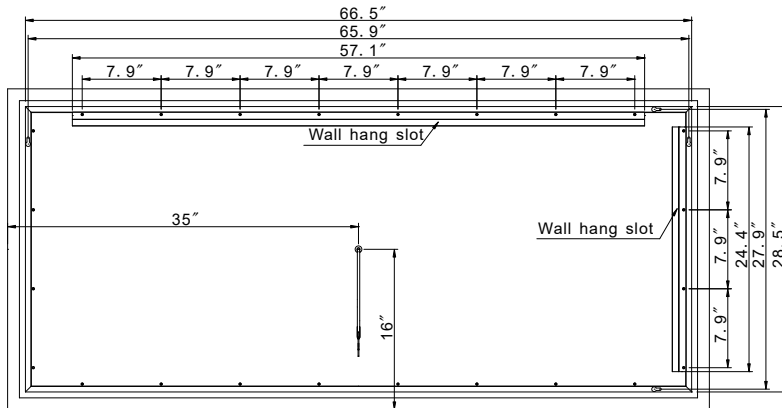
FROSTED RECTANGLE BACKLIT 70 X 32



FRONT VIEW

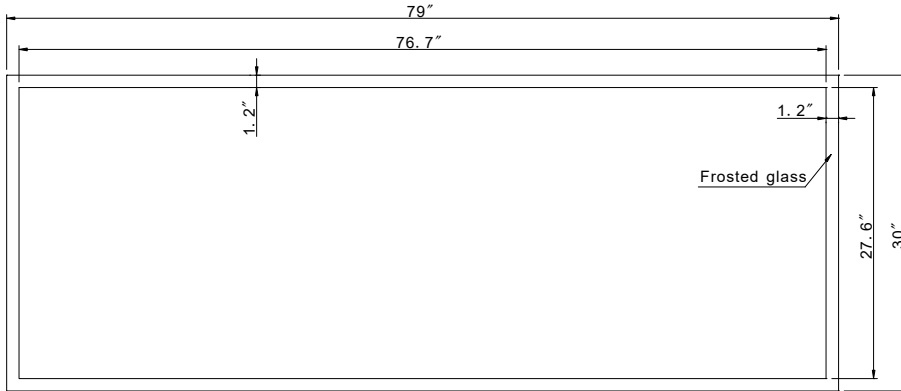


LEFT SIDE

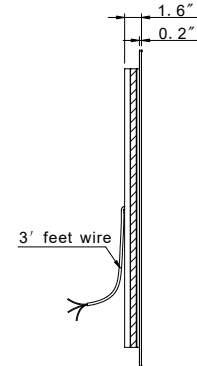


REAR VIEW

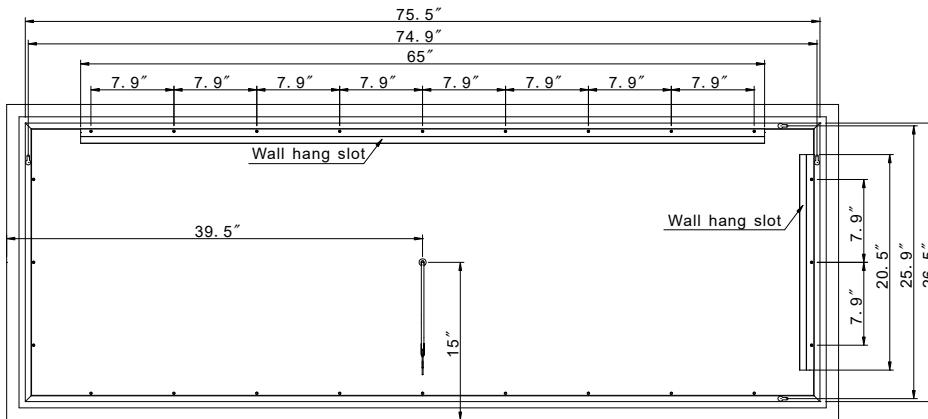
FROSTED RECTANGLE BACKLIT 79 X 30



FRONT VIEW

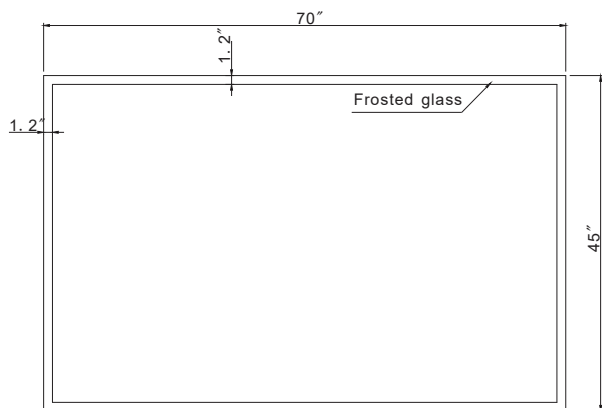


LEFT SIDE

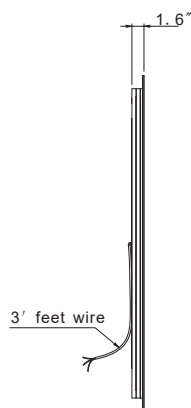


REAR VIEW

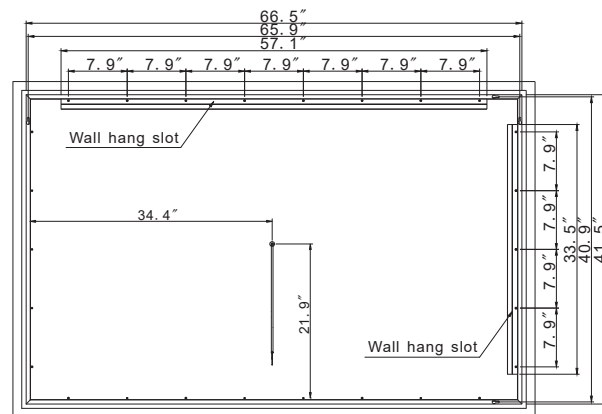
FROSTED RECTANGLE BACKLIT 70 X 45



FRONT VIEW

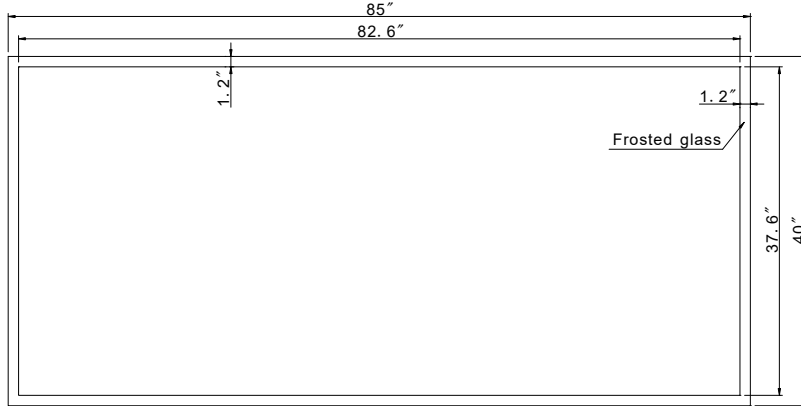


LEFT SIDE

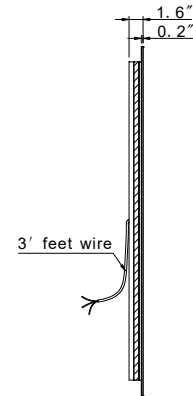


REAR VIEW

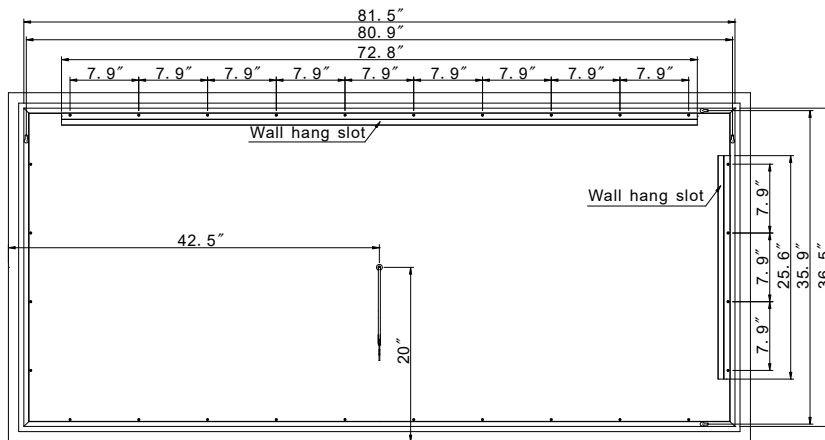
FROSTED RECTANGLE BACKLIT 85 X 40



FRONT VIEW

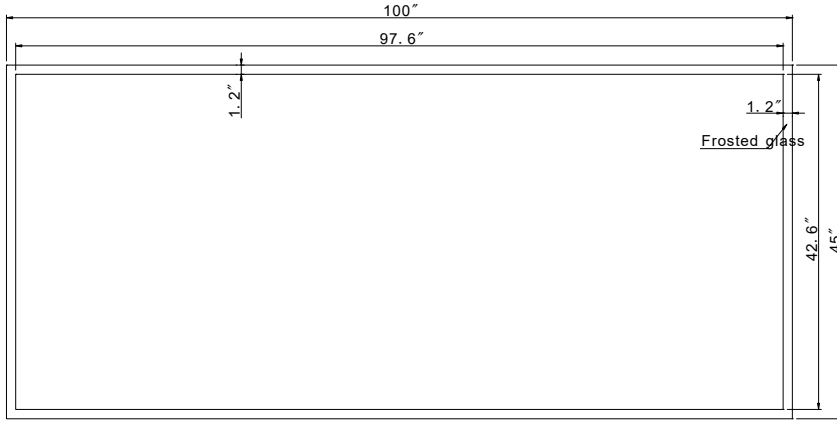


LEFT SIDE

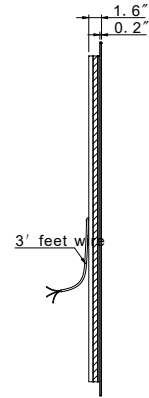


REAR VIEW

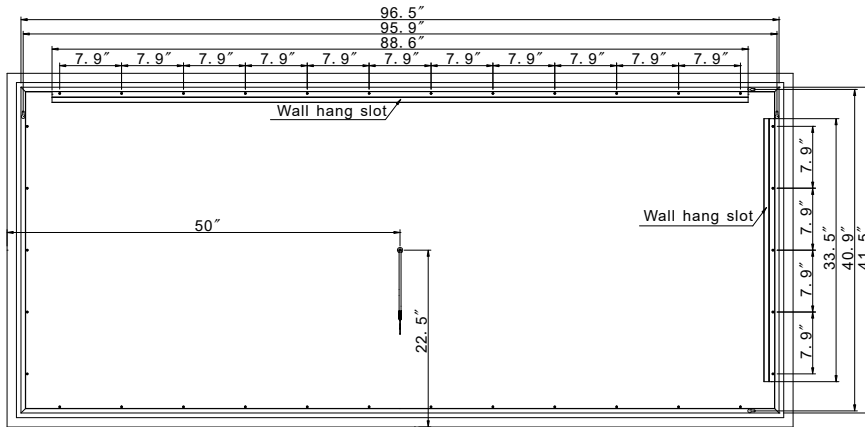
FROSTED RECTANGLE BACKLIT 100 X 45



FRONT VIEW



LEFT SIDE



REAR VIEW

INSTALLATION & AFTER CARE INSTRUCTIONS

Installation:

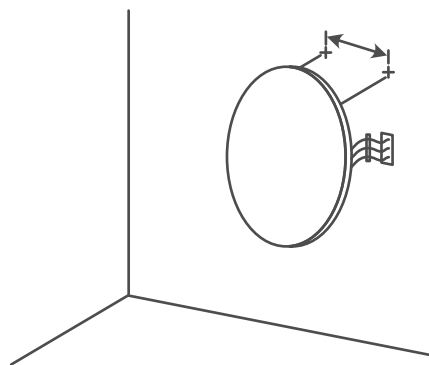
- All our LED mirrors have been independently tested for compliance with electrical equipment (safety) regulations.
- All illuminated and backlit mirrors are IP44 rated.
- Illuminated mirrors have been designed and independently tested for compliance to electrical equipment (safety) regulations, and are UL Certified.
- LEDs have a life expectancy of 120,000 hours of continuous use. All LED light fittings are replaceable and are available through our customer service.
- IMPORTANT: Always switch off the electrical supply at the mains during installation and maintenance.
- It is recommended that fuse is withdrawn or circuit breaker switched off before installation begins.
- Fitting in Bathrooms is subject to all regulations. It is not suitable for product installations in Saunas, Steam Rooms, or shower cubicles and it is recommended for permanent installation.

Care Safety:

- Wear suitable eye wear protection when drilling. Use caution when using power tools near water, beware of hidden cables or pipes.
- Take care if drilling on tiled surfaces in case the drill slips. A piece of masking tape applied to wall before marking out fixing holes will stop drill from moving.

Cleaning & Maintenance:

- It is recommended that the unit is cleaned with a soft, dry, non-abrasive cloth when turned off.
- Never use cleaning agents or abrasive material on any type of surface finish.
- Do not strike glass components with hard or pointed items.
- Do not place very hot or cold items against or close proximity to glass surfaces.



120V DIMMABLE LED DRIVER INCLUDED

- 1-Decide on wall positional placement.
- 2-Prepare & install wall hooks measured to distance between mirror's
- 3-Match & attach 3 electrical wires from mirror to home electrical wires: Live to Live, Ground to Ground, Neutral to Neutral.
- 4-Hang and affix to wall.

DESCRIPTION

- TYPE: Back-Lit Mirror
- SHAPE: Round
- Dimmable with any standard MLV / TRIAC dimmer wall switch
- CRI 90+
- IP Rating: 44
- 120V wiring
- Approx. 120,000 Hours Lifetime
- Complete UL and cUL Certification
- Hangs horizontally or vertically

AVAILABLE LED COLORS (Kelvin)

3000K



6000K



Frosted glass



MODELS AND SPECIFICATIONS

MODELS	PRODUCT NUMBERS	DIMENSIONS	LUMENS	WATTS	WEIGHT
Frosted Ro. Backlit 24 X 24	LCMIR-FRORO-BL-2424-30/60K	24"W x 24"H x 1.6"D3	100/3190lm	27W	15lbs
Frosted Ro. Backlit 32 X 32	LCMIR-FRORO-BL-3232-30/60K	32"W x 32"H x 1.6"D4	140/4250lm	35W	24lbs
Frosted Ro. Backlit 40 X 40	LCMIR-FRORO-BL-4040-30/60K	40"W x 40"H x 1.6"D5	440/5450lm	49W	35lbs



COLOR RENDERING INDEX

The color rendering index (CRI) of a light source is a quantitative measure of its ability to reproduce the colors of various objects faithfully in comparison with an ideal or natural light source.

In general terms, CRI is a measure of a light source's ability to show object colors "realistically" or "naturally".

We only use LED CRI 90+.

COLOR TEMPERATURE

We offer 2 different light colors for our mirrors.

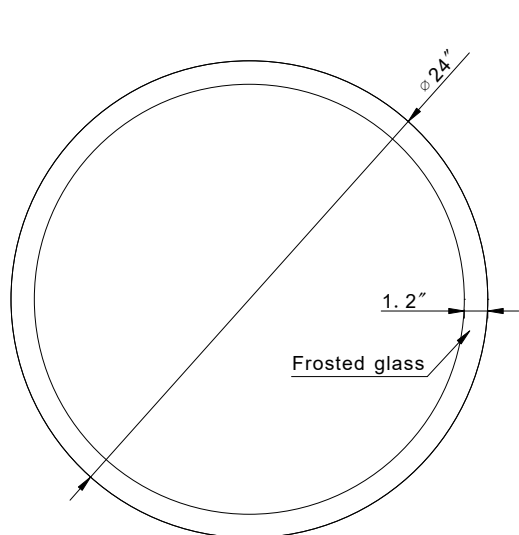
6000K: Pure white color light. It is the most popular color for makeup application and hairstyling.

In addition, the 6000K is 15% brighter than the 3000K light color. 85% of our customers choose the 6000K light color.

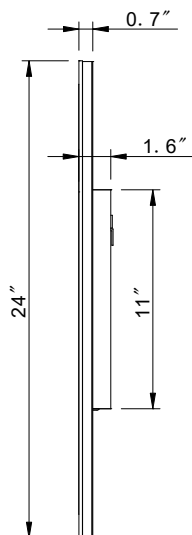
3000K: Warm white color light, the light is a little yellow.



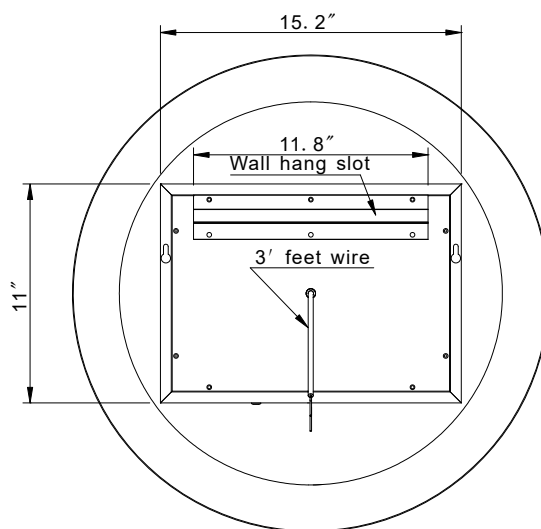
FROSTED ROUND BACKLIT 24 X 24



FRONT VIEW

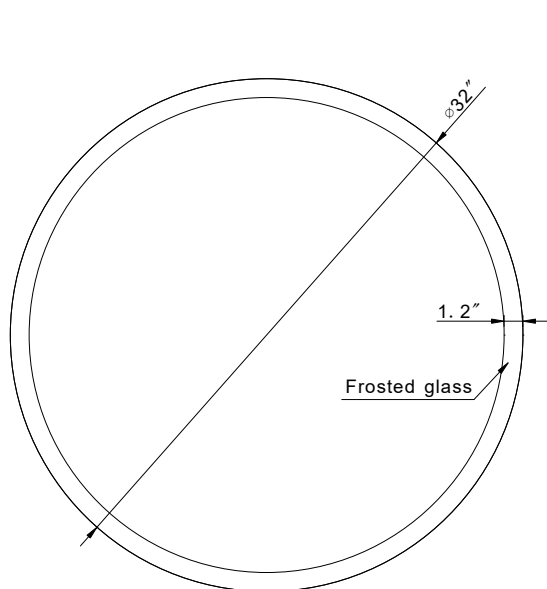


RIGHT SIDE

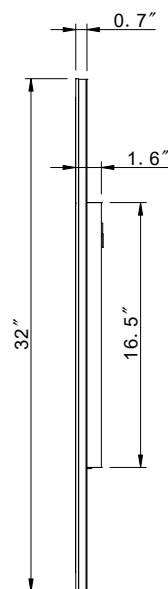


REAR VIEW

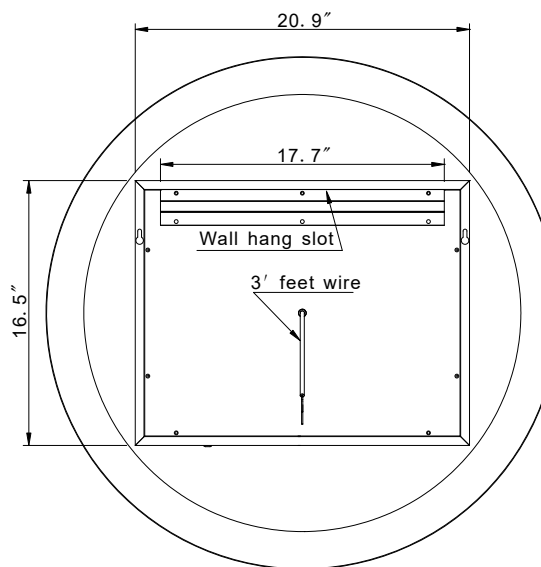
FROSTED ROUND BACKLIT 32 X 32



FRONT VIEW

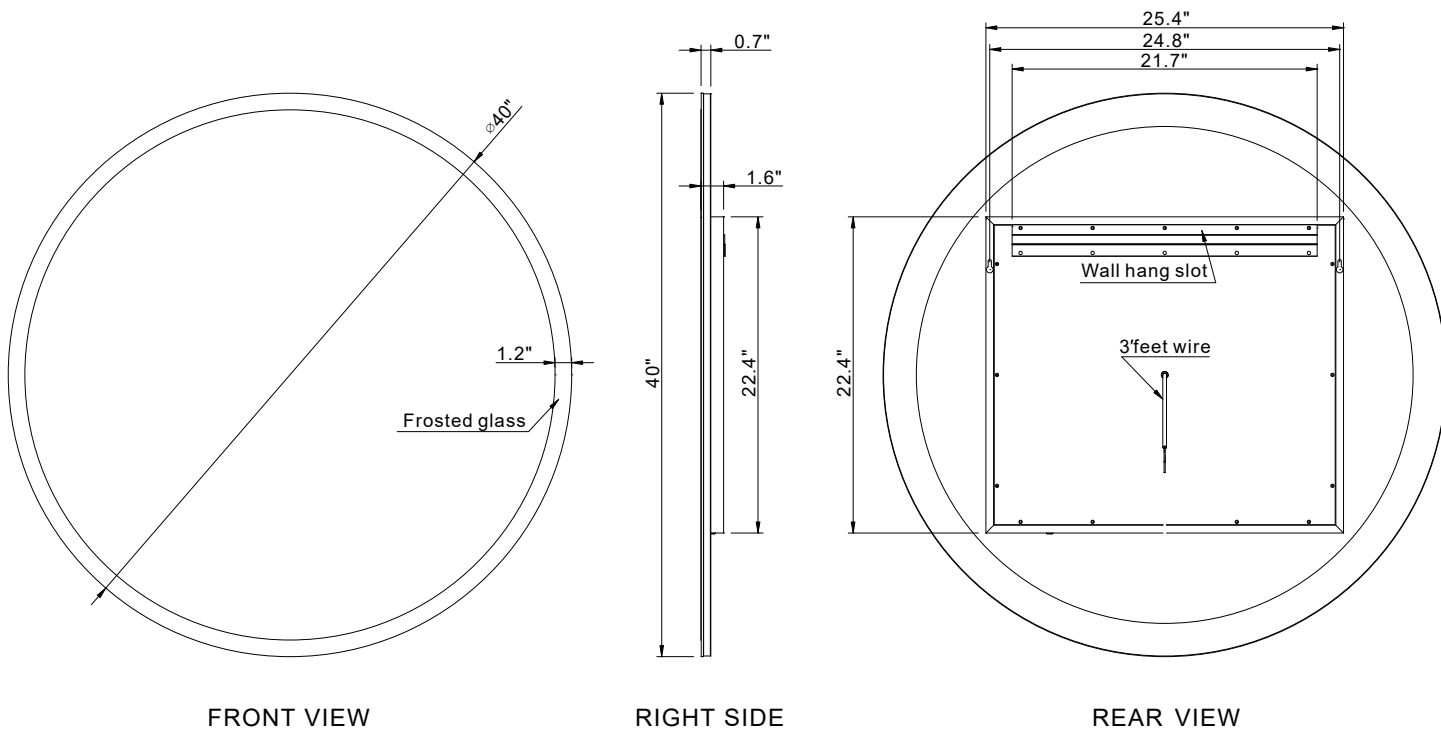


RIGHT SIDE



REAR VIEW

FROSTED ROUND BACKLIT 40 X 40



INSTALLATION & AFTER CARE INSTRUCTIONS

Installation:

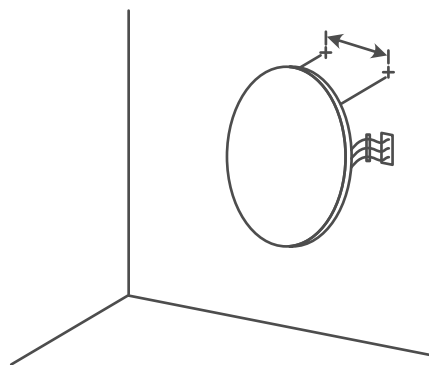
- All our LED mirrors have been independently tested for compliance with electrical equipment (safety) regulations.
- All illuminated and backlit mirrors are IP44 rated.
- Illuminated mirrors have been designed and independently tested for compliance to electrical equipment (safety) regulations, and are UL Certified.
- LEDs have a life expectancy of 120,000 hours of continuous use. All LED light fittings are replaceable and are available through our customer service.
- IMPORTANT: Always switch off the electrical supply at the mains during installation and maintenance.
- It is recommended that fuse is withdrawn or circuit breaker switched off before installation begins.
- Fitting in Bathrooms is subject to all regulations. It is not suitable for product installations in Saunas, Steam Rooms, or shower cubicles and it is recommended for permanent installation.

Care Safety:

- Wear suitable eye wear protection when drilling. Use caution when using power tools near water, beware of hidden cables or pipes.
- Take care if drilling on tiled surfaces in case the drill slips. A piece of masking tape applied to wall before marking out fixing holes will stop drill from moving.

Cleaning & Maintenance:

- It is recommended that the unit is cleaned with a soft, dry, non-abrasive cloth when turned off.
- Never use cleaning agents or abrasive material on any type of surface finish.
- Do not strike glass components with hard or pointed items.
- Do not place very hot or cold items against or close proximity to glass surfaces.



120V DIMMABLE LED DRIVER INCLUDED

- 1-Decide on wall positional placement.
- 2-Prepare & install wall hooks measured to distance between mirror's
- 3-Match & attach 3 electrical wires from mirror to home electrical wires: Live to Live, Ground to Ground, Neutral to Neutral.
- 4-Hang and affix to wall.

DESCRIPTION

- TYPE: Front-bed & Back-bed mirror
- SHAPE: Square
- Dimmable with any standard MLV / TRIAC dimmer wall switch
- CRI 90+
- IP Rating: 44
- 120V wiring
- Approx. 120,000 Hours Lifetime
- Complete UL and cUL Certification
- Hangs horizontally or vertically

AVAILABLE LED COLORS (Kelvin)

3000K



6000K



Frosted glass



MODELS AND SPECIFICATIONS

MODELS	PRODUCT NUMBERS	DIMENSIONS	LUMENS	WATTS	WEIGHT
Harmony Backlit 24 X 36	LCMIR-HAR-BL-2436-30/60K	24"W x 36"H x 1.6"D	10890/10910lm	98W	26lbs
Harmony Backlit 36 X 36	LCMIR-HAR-BL-3636-30/60K	36"W x 36"H x 1.6"D	11860/11880lm	107W	37lbs
Harmony Backlit 48 X 35	LCMIR-HAR-BL-4835-30/60K	48"W x 35"H x 1.6"D	14530/14940lm	124W	46lbs
Harmony Backlit 70 X 32	LCMIR-HAR-BL-7032-30/60K	70"W x 32"H x 1.6"D	17920/17960lm	162W	62lbs
Harmony Backlit 85 X 40	LCMIR-HAR-BL-8540-30/60K	85"W x 40"H x 1.6"D	23720/23720lm	215W	89lbs



COLOR RENDERING INDEX

The color rendering index (CRI) of a light source is a quantitative measure of its ability to reproduce the colors of various objects faithfully in comparison with an ideal or natural light source.

In general terms, CRI is a measure of a light source's ability to show object colors "realistically" or "naturally".

We only use LED CRI 90+.

COLOR TEMPERATURE

We offer 2 different light colors for our mirrors.

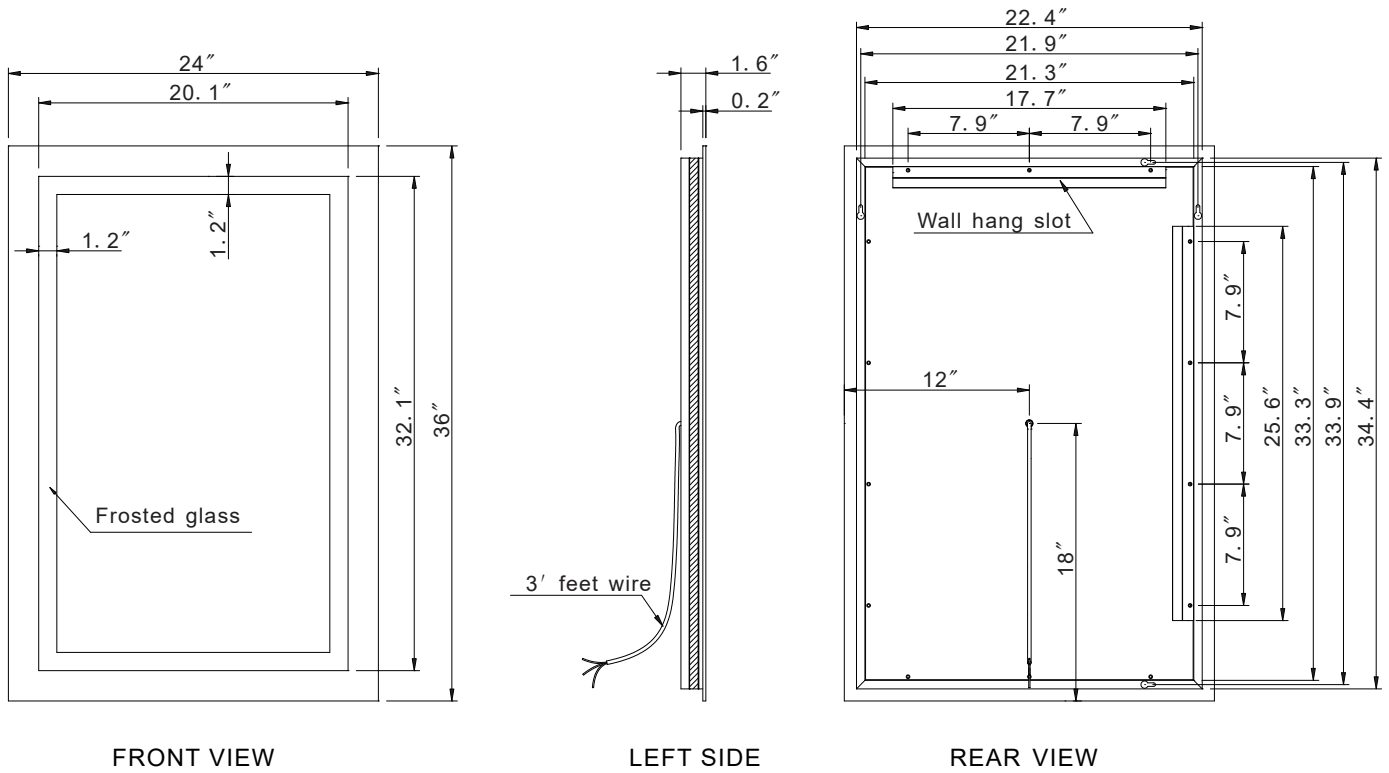
6000K: Pure white color light. It is the most popular color for makeup application and hairstyling.

In addition, the 6000K is 15% brighter than the 3000K light color. 85% of our customers choose the 6000K light color.

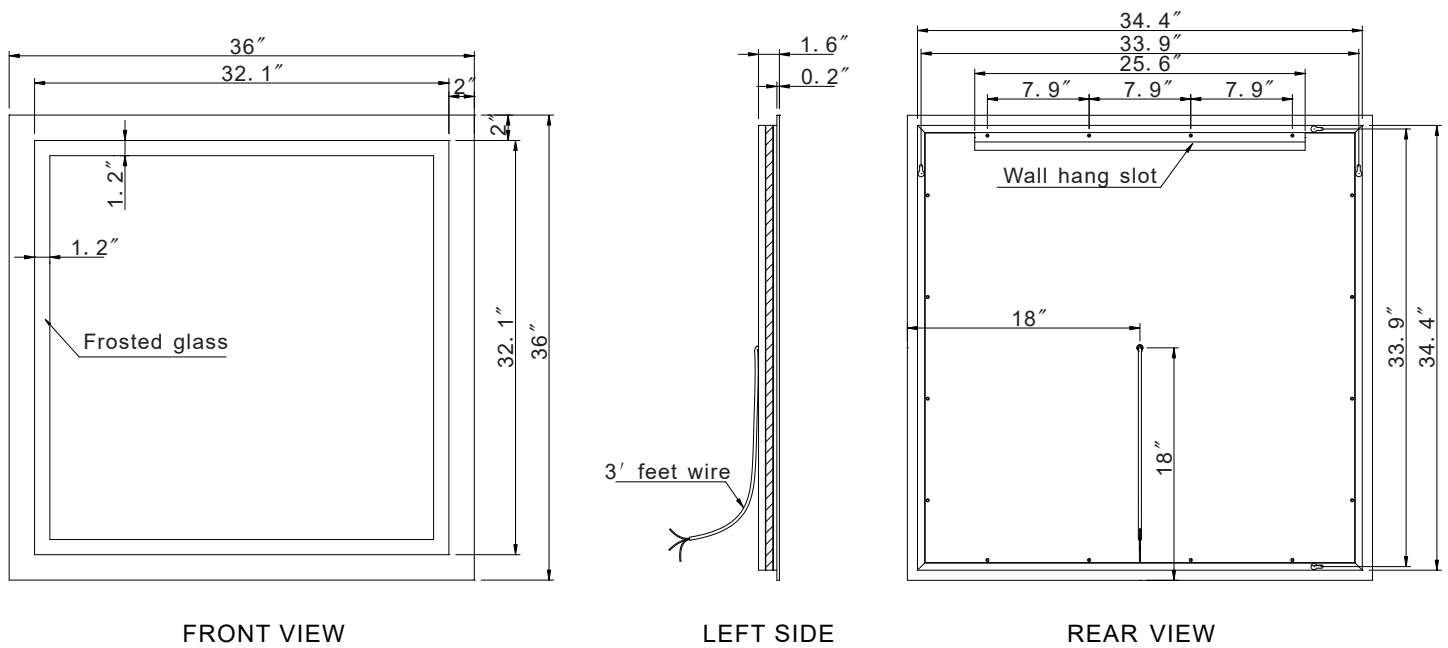
3000K: Warm white color light, the light is a little yellow.



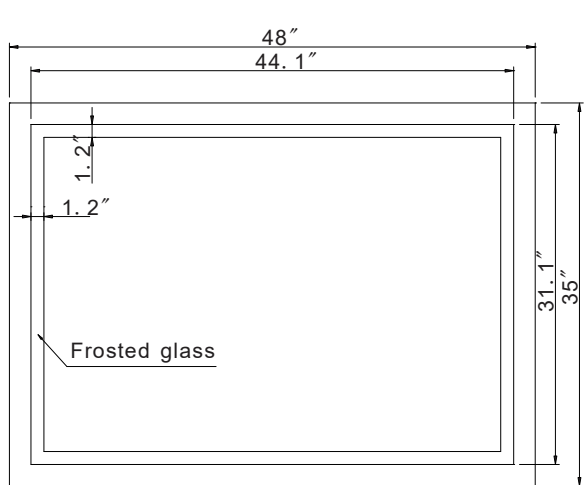
HARMONY BACKLIT 24 X 36



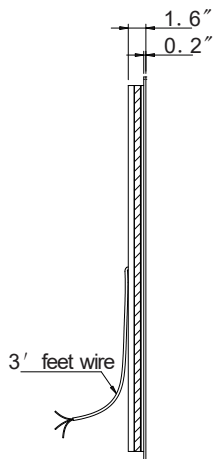
HARMONY BACKLIT 36 X 36



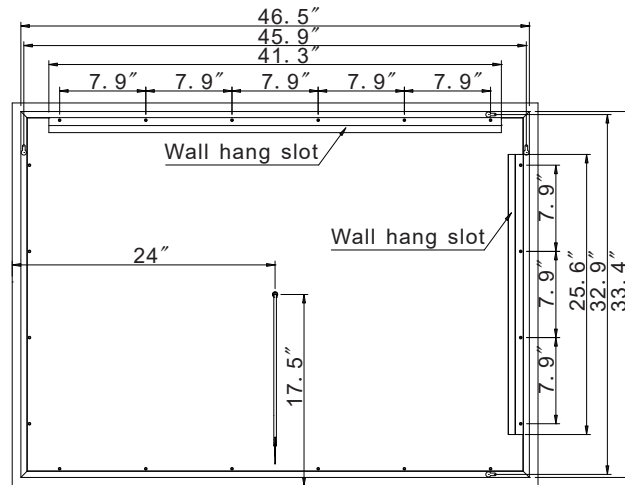
HARMONY BACKLIT 48 X 35



FRONT VIEW

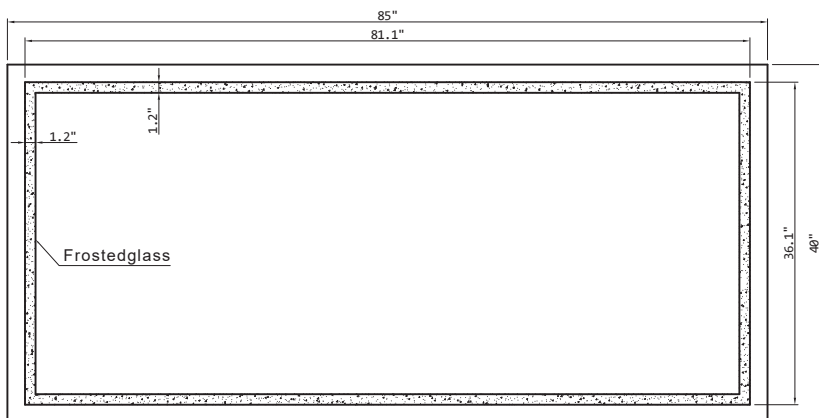


LEFT SIDE

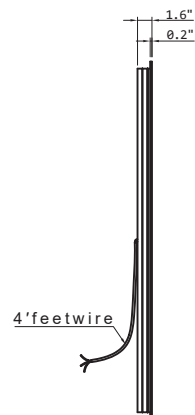


REAR VIEW

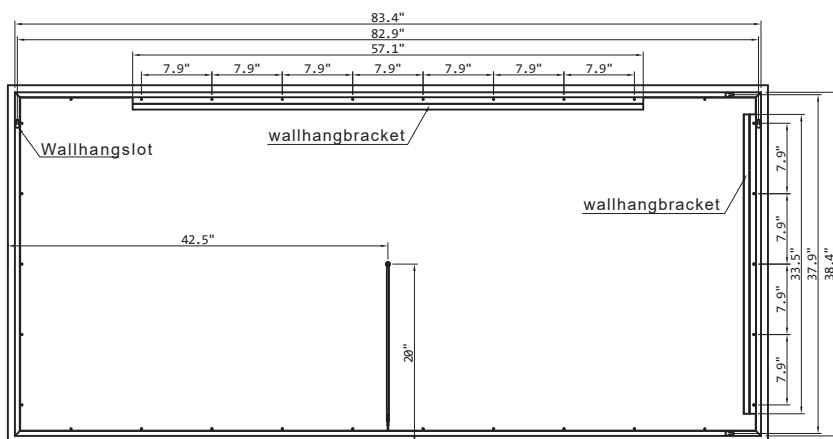
HARMONY BACKLIT 85 X 40



FRONT VIEW



LEFT SIDE



REAR VIEW

INSTALLATION & AFTER CARE INSTRUCTIONS

Installation:

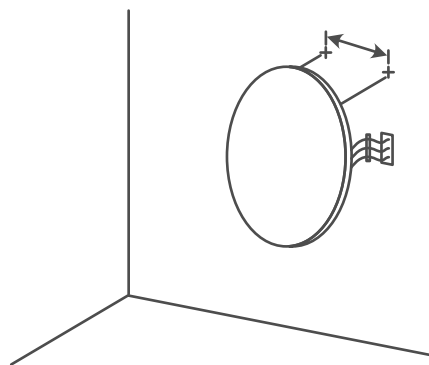
- All our LED mirrors have been independently tested for compliance with electrical equipment (safety) regulations.
- All illuminated and backlit mirrors are IP44 rated.
- Illuminated mirrors have been designed and independently tested for compliance to electrical equipment (safety) regulations, and are UL Certified.
- LEDs have a life expectancy of 120,000 hours of continuous use. All LED light fittings are replaceable and are available through our customer service.
- IMPORTANT: Always switch off the electrical supply at the mains during installation and maintenance.
- It is recommended that fuse is withdrawn or circuit breaker switched off before installation begins.
- Fitting in Bathrooms is subject to all regulations. It is not suitable for product installations in Saunas, Steam Rooms, or shower cubicles and it is recommended for permanent installation.

Care Safety:

- Wear suitable eye wear protection when drilling. Use caution when using power tools near water, beware of hidden cables or pipes.
- Take care if drilling on tiled surfaces in case the drill slips. A piece of masking tape applied to wall before marking out fixing holes will stop drill from moving.

Cleaning & Maintenance:

- It is recommended that the unit is cleaned with a soft, dry, non-abrasive cloth when turned off.
- Never use cleaning agents or abrasive material on any type of surface finish.
- Do not strike glass components with hard or pointed items.
- Do not place very hot or cold items against or close proximity to glass surfaces.



120V DIMMABLE LED DRIVER INCLUDED

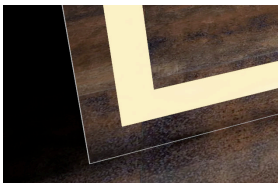
- 1-Decide on wall positional placement.
- 2-Prepare & install wall hooks measured to distance between mirror's
- 3-Match & attach 3 electrical wires from mirror to home electrical wires: Live to Live, Ground to Ground, Neutral to Neutral.
- 4-Hang and affix to wall.

DESCRIPTION

- TYPE: Lighted Cabinets
- SHAPE: Rectangle
- Dimmable with any standard MLV / TRIAC dimmer wall switch
- CRI 90+
- IP Rating: 44
- 120V wiring
- Approx. 120,000 Hours Lifetime
- Complete UL and cUL Certification
- Hangs horizontally or vertically

AVAILABLE LED COLORS (Kelvin)

3000K



6000K



MODELS AND SPECIFICATIONS

MODELS	PRODUCT NUMBERS	DIMENSIONS	LUMENS	WATTS	WEIGHT
Galaxy Cabinet 15 X 30	LCMIR-GAL-C-1530-30/60K	15"W x 30"H x 5.7"D	3810/3910lm	33W	22lbs
Galaxy Cabinet 24 X 32	LCMIR-GAL-C-2432-30/60K	24"W x 32"H x 5.7"D	4960/4970lm	45W	49lbs
Galaxy Cabinet 48 X 28	LCMIR-GAL-C-4828-30/60K	48"W x 28"H x 5.7"D	8930/9180lm	76W	88lbs
Galaxy Cabinet 60 X 28	LCMIR-GAL-C-6028-30/60K	60"W x 28"H x 5.7"D	12420/12760lm	105W	110lbs
Galaxy Cabinet 72 X 30	LCMIR-GAL-C-7230-30/60K	72"W x 30"H x 5.7"D	14890/14910lm	135W	120lbs



COLOR RENDERING INDEX

The color rendering index (CRI) of a light source is a quantitative measure of its ability to reproduce the colors of various objects faithfully in comparison with an ideal or natural light source.

In general terms, CRI is a measure of a light source's ability to show object colors "realistically" or "naturally".

We only use LED CRI 90+.

COLOR TEMPERATURE

We offer 2 different light colors for our mirrors.

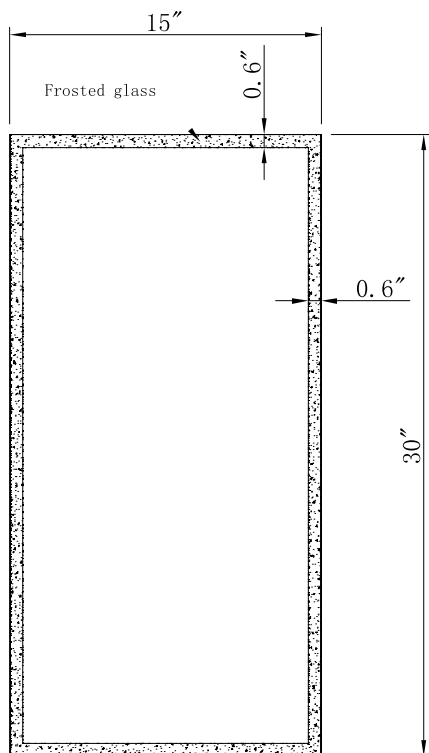
6000K: Pure white color light. It is the most popular color for makeup application and hairstyling.

In addition, the 6000K is 15% brighter than the 3000K light color. 85% of our customers choose the 6000K light color.

3000K: Warm white color light, the light is a little yellow.

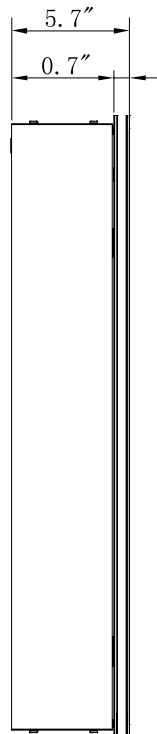


GALAXY CABINET 15 X 30

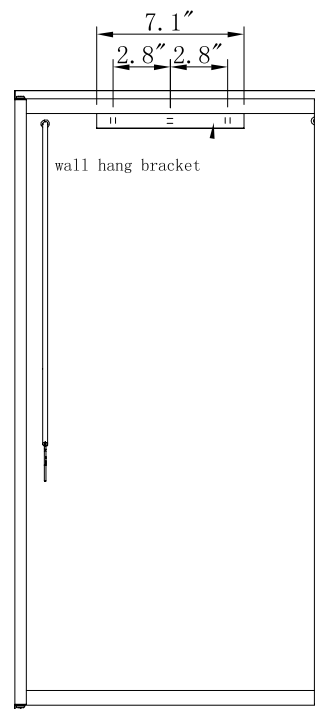


FRONT VIEW

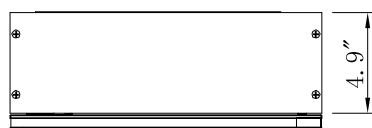
3' feet wire



RIGHT SIDE

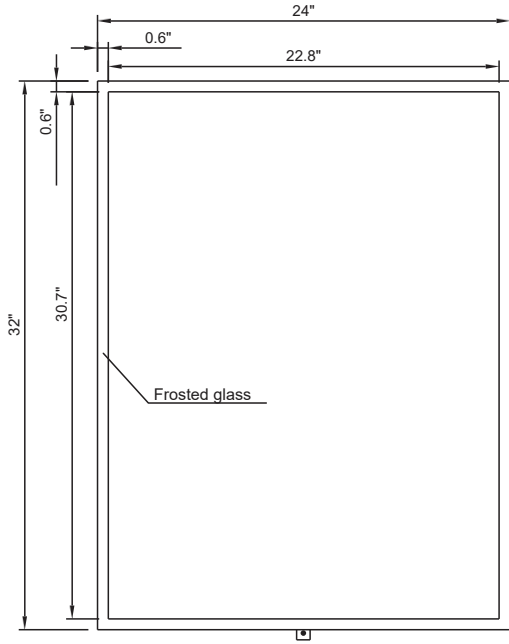


REAR VIEW

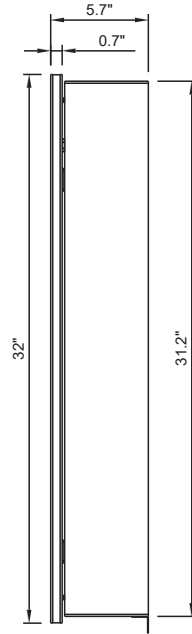


TOP VIEW

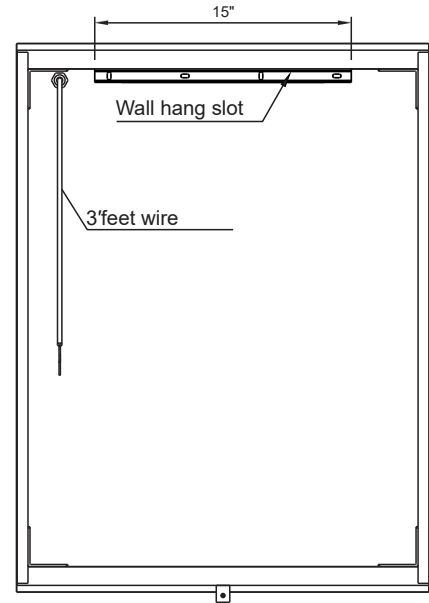
GALAXY CABINET 24 X 32



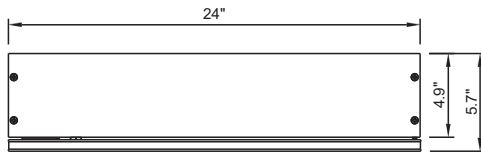
FRONT VIEW



RIGHT SIDE

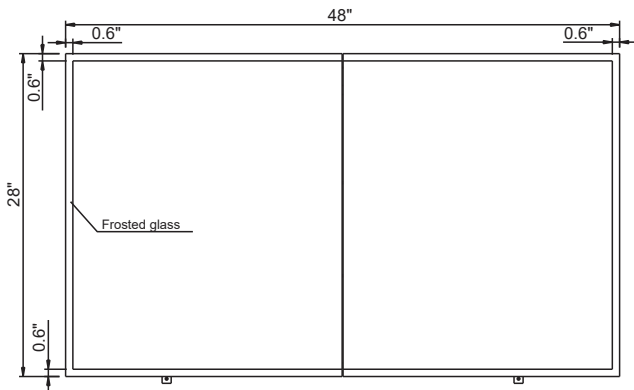


REAR VIEW

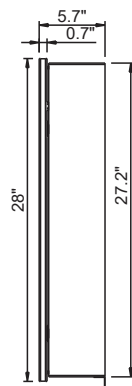


TOP VIEW

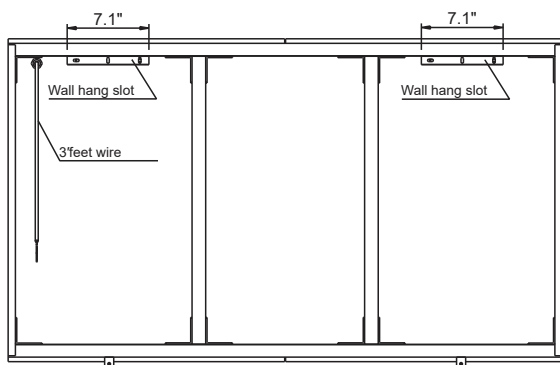
GALAXY CABINET 48 X 28



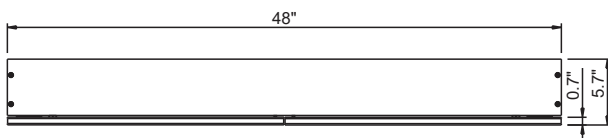
FRONT VIEW



RIGHT SIDE

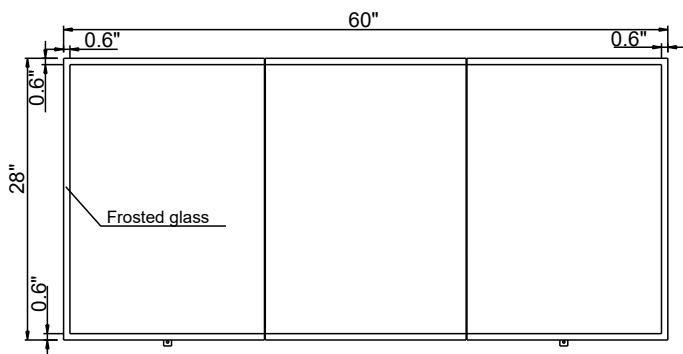


REAR VIEW

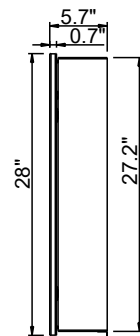


TOP VIEW

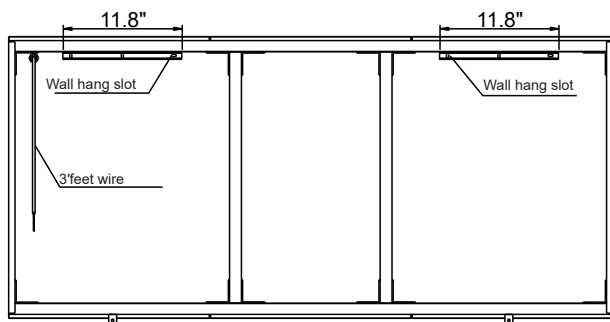
GALAXY CABINET 60 X 28



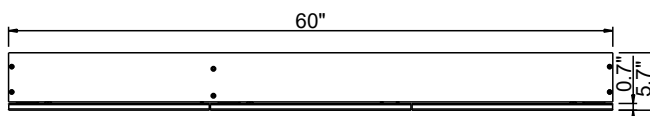
FRONT VIEW



RIGHT SIDE

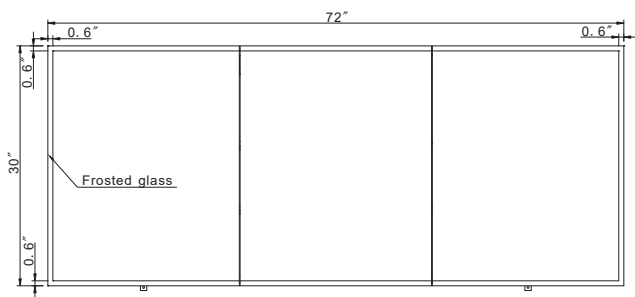


REAR VIEW

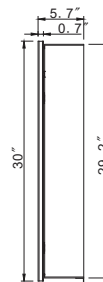


TOP VIEW

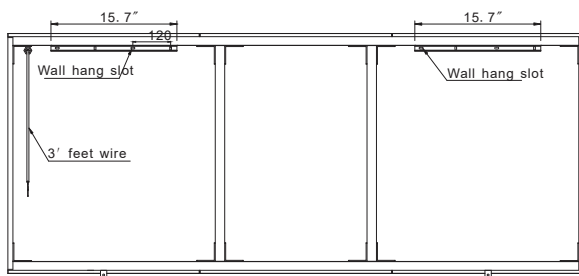
GALAXY CABINET 72 X 30



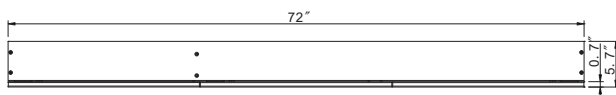
FRONT VIEW



RIGHT SIDE



REAR VIEW



TOP VIEW

INSTALLATION & AFTER CARE INSTRUCTIONS

Installation:

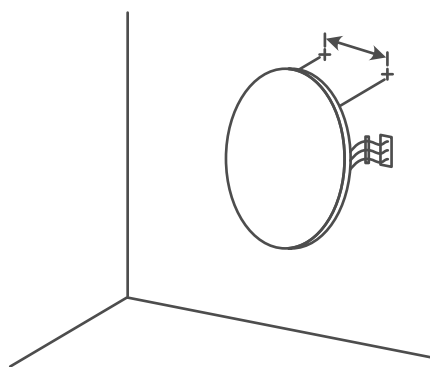
- All our LED mirrors have been independently tested for compliance with electrical equipment (safety) regulations.
- All illuminated and backlit mirrors are IP44 rated.
- Illuminated mirrors have been designed and independently tested for compliance to electrical equipment (safety) regulations, and are UL Certified.
- LEDs have a life expectancy of 120,000 hours of continuous use. All LED light fittings are replaceable and are available through our customer service.
- IMPORTANT: Always switch off the electrical supply at the mains during installation and maintenance.
- It is recommended that fuse is withdrawn or circuit breaker switched off before installation begins.
- Fitting in Bathrooms is subject to all regulations. It is not suitable for product installations in Saunas, Steam Rooms, or shower cubicles and it is recommended for permanent installation.

Care Safety:

- Wear suitable eye wear protection when drilling. Use caution when using power tools near water, beware of hidden cables or pipes.
- Take care if drilling on tiled surfaces in case the drill slips. A piece of masking tape applied to wall before marking out fixing holes will stop drill from moving.

Cleaning & Maintenance:

- It is recommended that the unit is cleaned with a soft, dry, non-abrasive cloth when turned off.
- Never use cleaning agents or abrasive material on any type of surface finish.
- Do not strike glass components with hard or pointed items.
- Do not place very hot or cold items against or close proximity to glass surfaces.



120V DIMMABLE LED DRIVER INCLUDED

- 1-Decide on wall positional placement.
- 2-Prepare & install wall hooks measured to distance between mirror's
- 3-Match & attach 3 electrical wires from mirror to home electrical wires: Live to Live, Ground to Ground, Neutral to Neutral.
- 4-Hang and affix to wall.

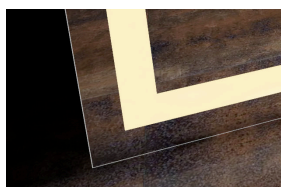
DESCRIPTION

- TYPE: Front-Lit Cabinet w/mirror
- SHAPE: Rectangle
- Dimmable with any standard MLV / TRIAC dimmer wall switch
- CRI 90+
- IP Rating: 44
- 120V wiring
- Approx. 120,000 Hours Lifetime
- Complete UL and cUL Certification
- Door hinges on the left side

AVAILABLE LED COLORS (Kelvin)

3000K

6000K



MODELS AND SPECIFICATIONS

MODELS	PRODUCT NUMBERS	DIMENSIONS	LUMENS	WATTS	WEIGHT
Harmony Cabinet 24 X 32	LCMIR-HAR-C-2432-30/60K	24"W x 32"H x 5.8"D	4480/4490lm	41W	50lbs
Harmony Cabinet 48 X 28	LCMIR-HAR-C-4828-30/60K	48"W x 28"H x 5.8"D	8280/8510lm	70W	90lbs
Harmony Cabinet 72 X 30	LCMIR-HAR-C-7230-30/60K	72"W x 30"H x 5.8"D	13400/13780lm	114W	120lbs



COLOR RENDERING INDEX

The color rendering index (CRI) of a light source is a quantitative measure of its ability to reproduce the colors of various objects faithfully in comparison with an ideal or natural light source.

In general terms, CRI is a measure of a light source's ability to show object colors "realistically" or "naturally".

We only use LED CRI 90+.

COLOR TEMPERATURE

We offer 2 different light colors for our mirrors.

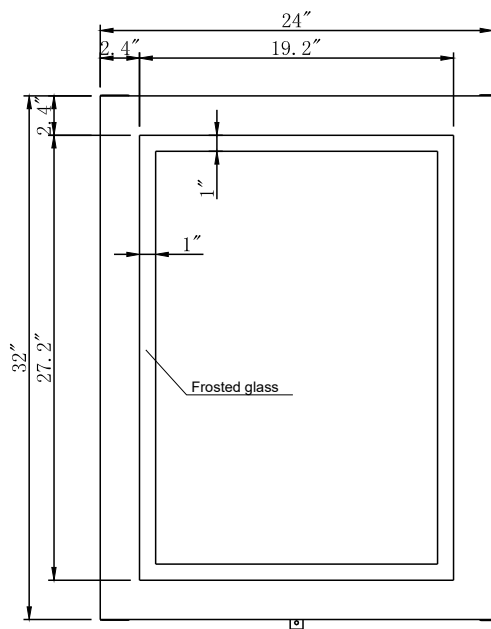
6000K: Pure white color light. It is the most popular color for makeup application and hairstyling.

In addition, the 6000K is 15% brighter than the 3000K light color. 85% of our customers choose the 6000K light color.

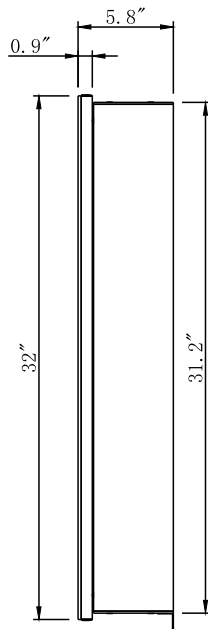
3000K: Warm white color light, the light is a little yellow.



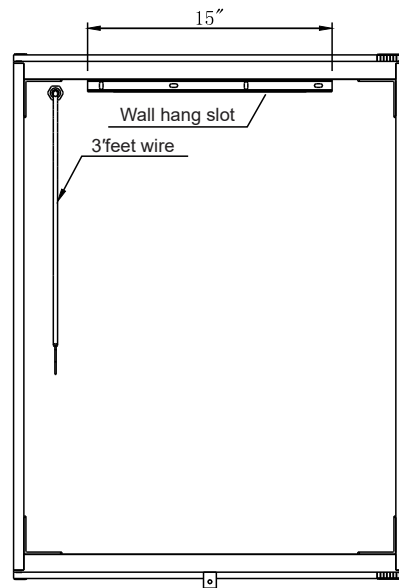
HARMONY CABINET 24 X 32



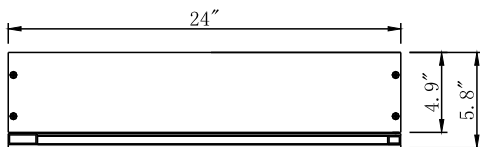
FRONT VIEW



RIGHT SIDE

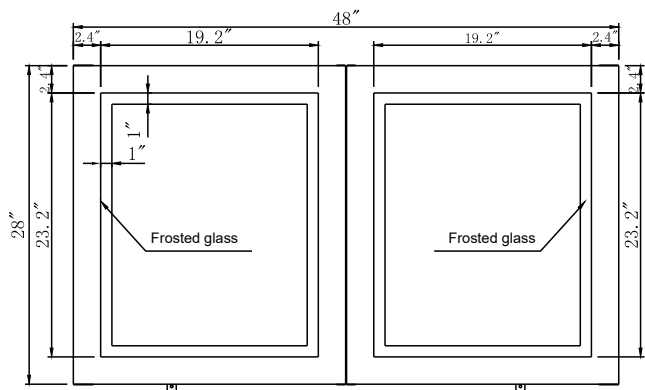


REAR VIEW

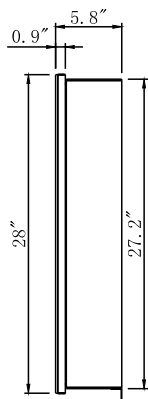


TOP VIEW

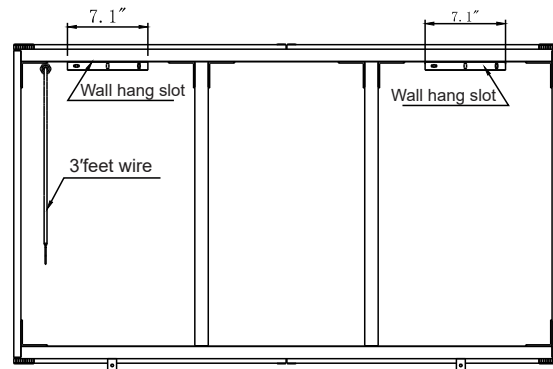
HARMONY CABINET 48 X 28



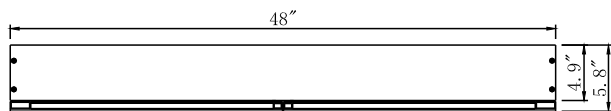
FRONT VIEW



RIGHT SIDE

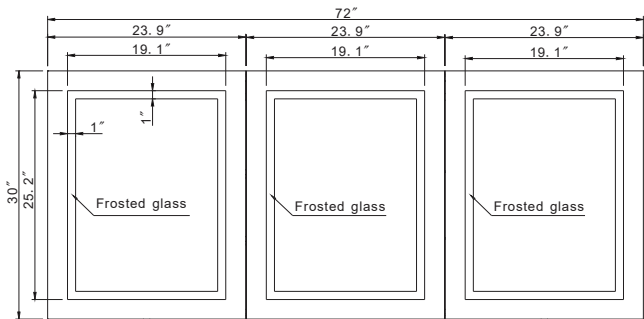


REAR VIEW

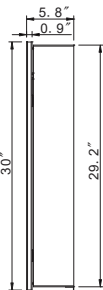


TOP VIEW

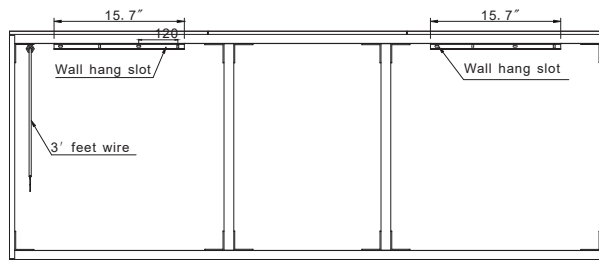
HARMONY CABINET 72 X 30



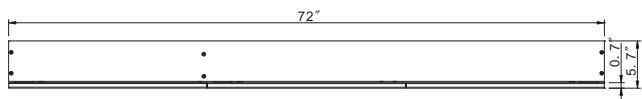
FRONT VIEW



RIGHT SIDE



REAR VIEW



TOP VIEW

INSTALLATION & AFTER CARE INSTRUCTIONS

Installation:

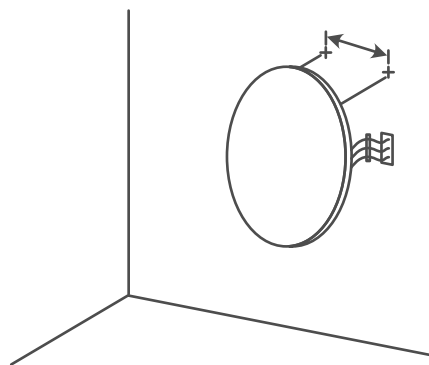
- All our LED mirrors have been independently tested for compliance with electrical equipment (safety) regulations.
- All illuminated and backlit mirrors are IP44 rated.
- Illuminated mirrors have been designed and independently tested for compliance to electrical equipment (safety) regulations, and are UL Certified.
- LEDs have a life expectancy of 120,000 hours of continuous use. All LED light fittings are replaceable and are available through our customer service.
- IMPORTANT: Always switch off the electrical supply at the mains during installation and maintenance.
- It is recommended that fuse is withdrawn or circuit breaker switched off before installation begins.
- Fitting in Bathrooms is subject to all regulations. It is not suitable for product installations in Saunas, Steam Rooms, or shower cubicles and it is recommended for permanent installation.

Care Safety:

- Wear suitable eye wear protection when drilling. Use caution when using power tools near water, beware of hidden cables or pipes.
- Take care if drilling on tiled surfaces in case the drill slips. A piece of masking tape applied to wall before marking out fixing holes will stop drill from moving.

Cleaning & Maintenance:

- It is recommended that the unit is cleaned with a soft, dry, non-abrasive cloth when turned off.
- Never use cleaning agents or abrasive material on any type of surface finish.
- Do not strike glass components with hard or pointed items.
- Do not place very hot or cold items against or close proximity to glass surfaces.



120V DIMMABLE LED DRIVER INCLUDED

- 1-Decide on wall positional placement.
- 2-Prepare & install wall hooks measured to distance between mirror's
- 3-Match & attach 3 electrical wires from mirror to home electrical wires: Live to Live, Ground to Ground, Neutral to Neutral.
- 4-Hang and affix to wall.

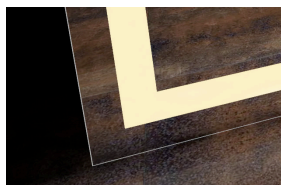
DESCRIPTION

- TYPE: Lighted Cabinets
- SHAPE: Rectangle
- Dimmable with any standard MLV / TRIAC dimmer wall switch
- CRI 90+
- IP Rating: 44
- 120V wiring
- Approx. 120,000 Hours Lifetime
- Complete UL and cUL Certification
- Hangs horizontally or vertically

AVAILABLE LED COLORS (Kelvin)

3000K

6000K



MODELS AND SPECIFICATIONS

MODELS	PRODUCT NUMBERS	DIMENSIONS	LUMENS	WATTS	WEIGHT
Verano Cabinet 24 X 32	LCMIR-VER-C-2432-30/60K	24"W x 32"H x 5.8"D	3110/3190lm	27W	50lbs
Verano Cabinet 48 X 28	LCMIR-VER-C-4828-30/60K	48"W x 28"H x 5.8"D	3450/3550lm	29W	90lbs



COLOR RENDERING INDEX

The color rendering index (CRI) of a light source is a quantitative measure of its ability to reproduce the colors of various objects faithfully in comparison with an ideal or natural light source.

In general terms, CRI is a measure of a light source's ability to show object colors "realistically" or "naturally".

We only use LED CRI 90+.

COLOR TEMPERATURE

We offer 2 different light colors for our mirrors.

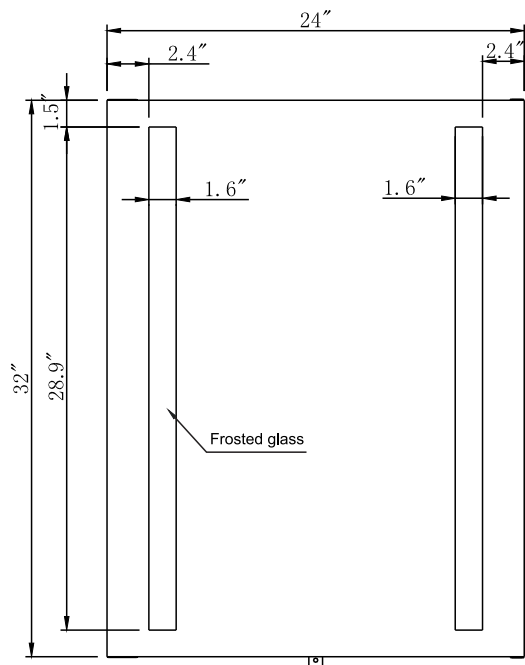
6000K: Pure white color light. It is the most popular color for makeup application and hairstyling.

In addition, the 6000K is 15% brighter than the 3000K light color. 85% of our customers choose the 6000K light color.

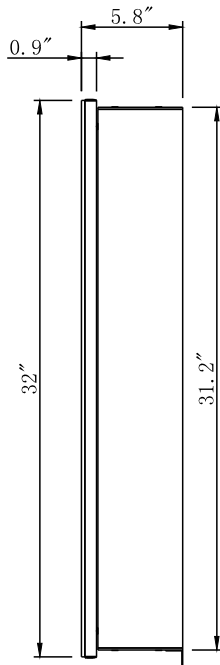
3000K: Warm white color light, the light is a little yellow.



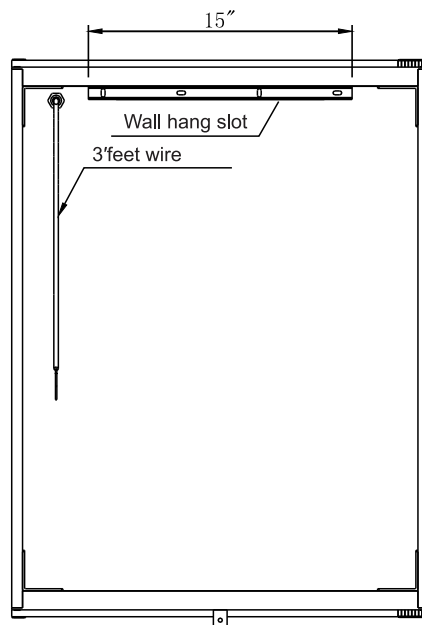
VERANO CABINET 24 X 32



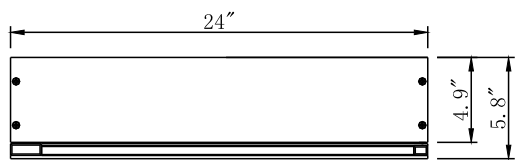
FRONT VIEW



RIGHT SIDE

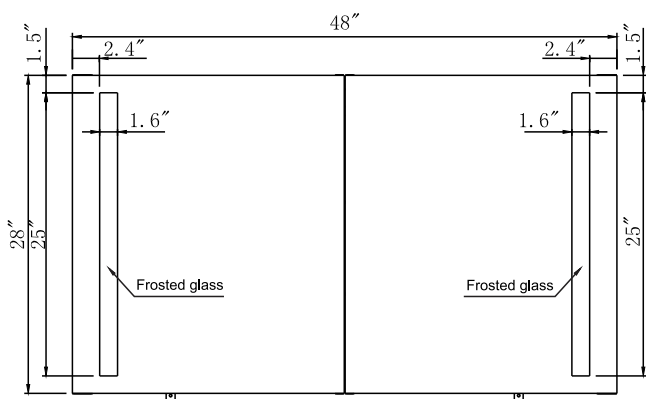


REAR VIEW

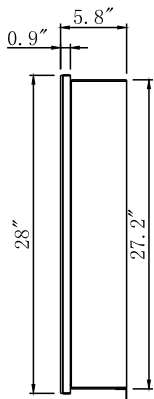


TOP VIEW

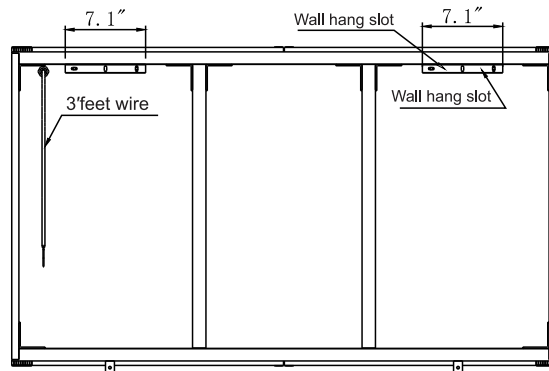
VERANO CABINET 48 X 28



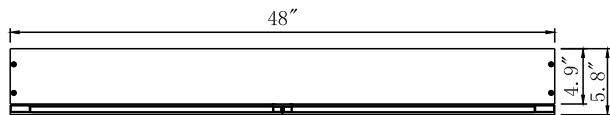
FRONT VIEW



RIGHT SIDE



REAR VIEW



TOP VIEW

INSTALLATION & AFTER CARE INSTRUCTIONS

Installation:

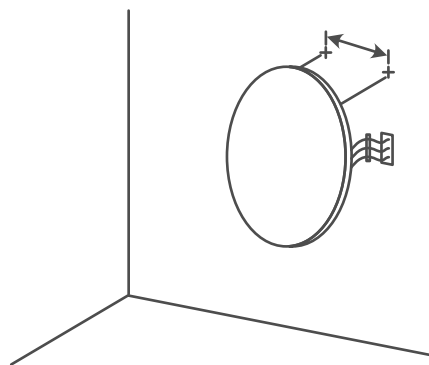
- All our LED mirrors have been independently tested for compliance with electrical equipment (safety) regulations.
- All illuminated and backlit mirrors are IP44 rated.
- Illuminated mirrors have been designed and independently tested for compliance to electrical equipment (safety) regulations, and are UL Certified.
- LEDs have a life expectancy of 120,000 hours of continuous use. All LED light fittings are replaceable and are available through our customer service.
- IMPORTANT: Always switch off the electrical supply at the mains during installation and maintenance.
- It is recommended that fuse is withdrawn or circuit breaker switched off before installation begins.
- Fitting in Bathrooms is subject to all regulations. It is not suitable for product installations in Saunas, Steam Rooms, or shower cubicles and it is recommended for permanent installation.

Care Safety:

- Wear suitable eye wear protection when drilling. Use caution when using power tools near water, beware of hidden cables or pipes.
- Take care if drilling on tiled surfaces in case the drill slips. A piece of masking tape applied to wall before marking out fixing holes will stop drill from moving.

Cleaning & Maintenance:

- It is recommended that the unit is cleaned with a soft, dry, non-abrasive cloth when turned off.
- Never use cleaning agents or abrasive material on any type of surface finish.
- Do not strike glass components with hard or pointed items.
- Do not place very hot or cold items against or close proximity to glass surfaces.



120V DIMMABLE LED DRIVER INCLUDED

- 1-Decide on wall positional placement.
- 2-Prepare & install wall hooks measured to distance between mirror's
- 3-Match & attach 3 electrical wires from mirror to home electrical wires: Live to Live, Ground to Ground, Neutral to Neutral.
- 4-Hang and affix to wall.