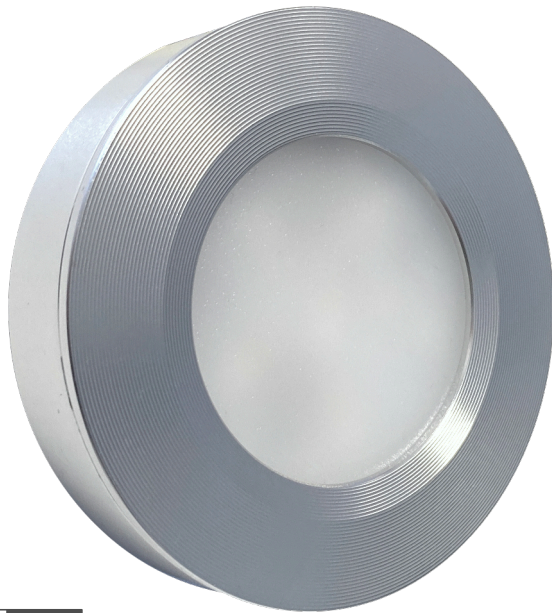


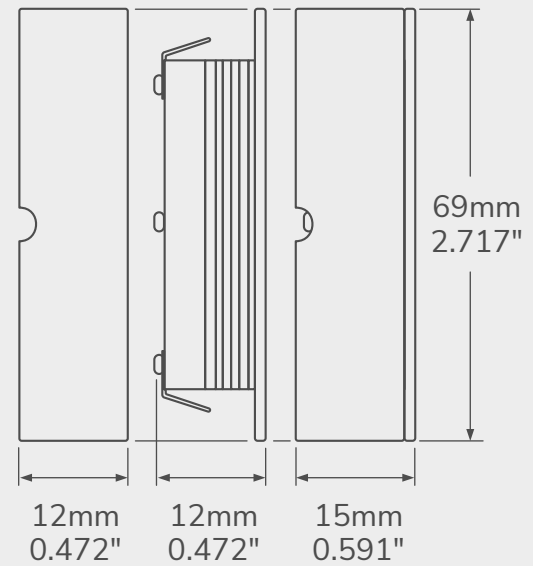
The logo for LED CO features the word "LED" in a bold, green, sans-serif font, followed by "CO" in a black, sans-serif font. The letter "O" is stylized to resemble a lightbulb with a base. A registered trademark symbol (®) is positioned to the upper right of the "O".

**LED CO<sup>®</sup>**

**LED PUCKS**



### TECHNICAL DRAWING



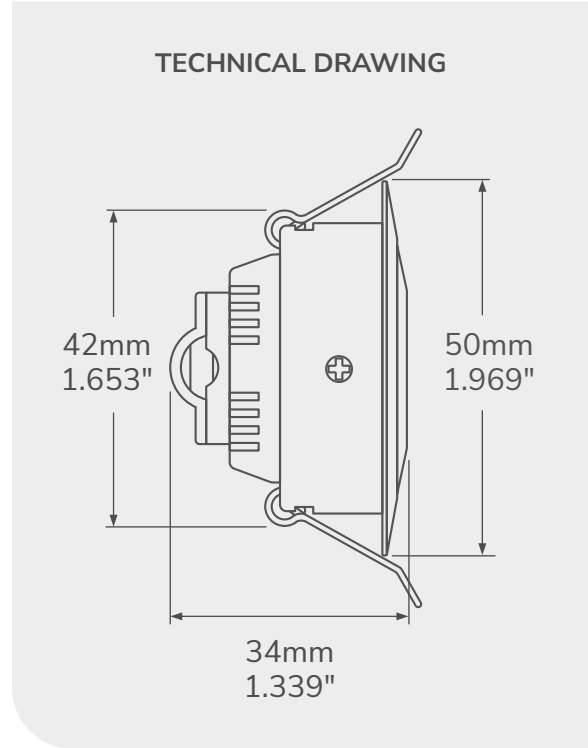
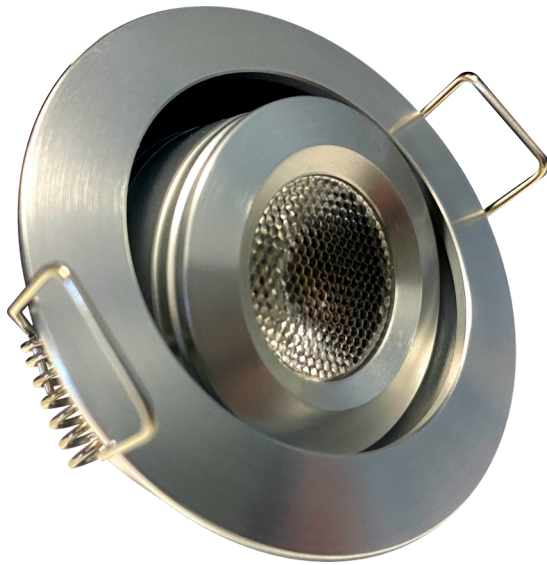
### TECHNICAL SPECIFICATIONS

- |                 |                         |                |                          |
|-----------------|-------------------------|----------------|--------------------------|
| • Input Voltage | : DC 12V (RGBW are 24V) | • Dimmable     | : Yes                    |
| • LED Power     | : 3 Watt                | • Working Temp | : 40°C at room temp 25°C |
| • Color Options | : 3000K - 4000K - RGBW  | • Warranty     | : 3 Years                |
| • Lumen Output  | : 250 LM                | • Lifespan     | : 25 000 hrs             |
| • Beam Angle    | : 120°                  |                |                          |
| • CRI           | : >80                   |                |                          |
| • IP class      | : IP 20                 |                |                          |
| • Color         | : Brushed Nickel        |                |                          |
| • Dimensions    | : 69 x 69 x 15mm        |                |                          |
| • Cutout Size   | : 60mm                  |                |                          |

### PRODUCT NUMBERS

- |       |                    |
|-------|--------------------|
| 3000K | : LCPK150R-30K     |
| 4000K | : LCPK150R-40K     |
| RGBW  | : LCPK150R-24VRGBW |



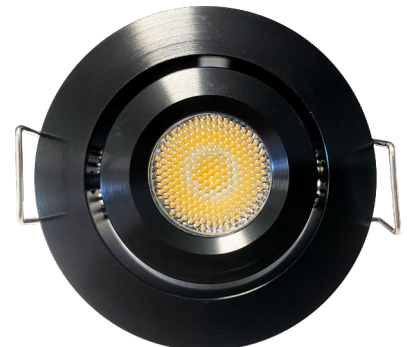
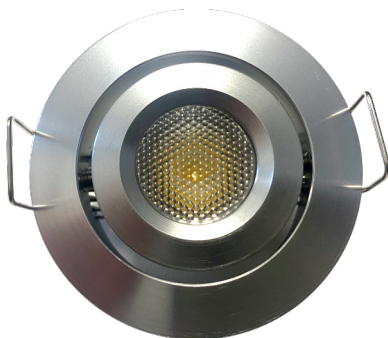


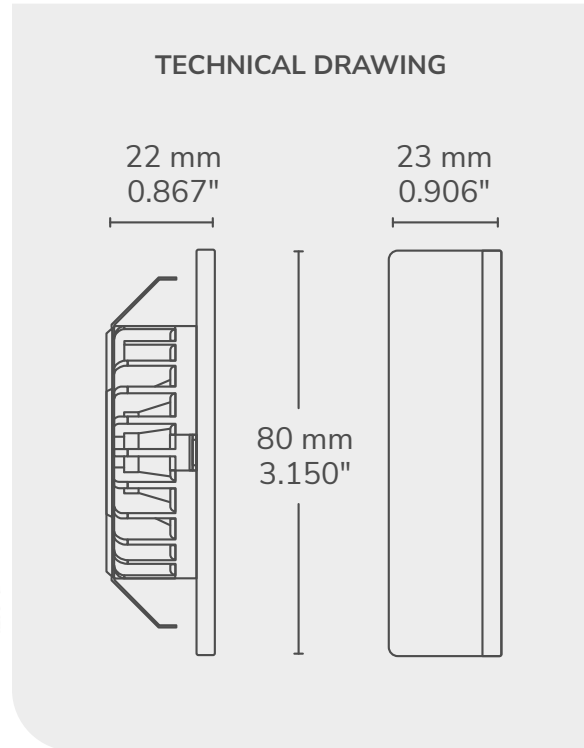
**TECHNICAL SPECIFICATIONS**

- |                 |                           |                |                          |
|-----------------|---------------------------|----------------|--------------------------|
| • Input Voltage | : DC 12V                  | • Dimmable     | : Yes                    |
| • LED Power     | : 3 Watt                  | • Working Temp | : 40°C at room temp 25°C |
| • Color Options | : 3000K - 4000K           | • Warranty     | : 3 Years                |
| • Lumen Output  | : 250 LM                  | • Lifespan     | : 25 000 hrs             |
| • Beam Angle    | : 45°                     |                |                          |
| • CRI           | : >80                     |                |                          |
| • IP class      | : IP 20                   |                |                          |
| • Color         | : Stainless, White, Black |                |                          |
| • Cutout Size   | : 42mm                    |                |                          |

**PRODUCT NUMBERS**

- |       |               |
|-------|---------------|
| 3000K | : LCPK200-30K |
| 4000K | : LCPK200-40K |





**TECHNICAL SPECIFICATIONS**

- |                  |         |                  |                       |
|------------------|---------|------------------|-----------------------|
| • Lumens @ 3000K | : 210lm | • Cutout size    | : 60mm (2.362 inches) |
| • Lumens @ 4000K | : 225lm | • Recessed mount | : Yes                 |
| • Lumens @ 5000K | : 240lm | • Surface mount  | : Yes (with spacer)   |
| • Beam Angle     | : 120°  | • Weight         | : 70g                 |
| • CRI            | : >90   | • Lifespan       | : 25 000 hrs          |
| • Input Voltage  | : 24V   |                  |                       |
| • Power          | : 3W    |                  |                       |
| • Dimmable       | : Yes   |                  |                       |

**PRODUCT NUMBERS**

- |     |                   |
|-----|-------------------|
| 12V | : LCPK300-12V-CCT |
| 24V | : LCPK300-24V-CCT |

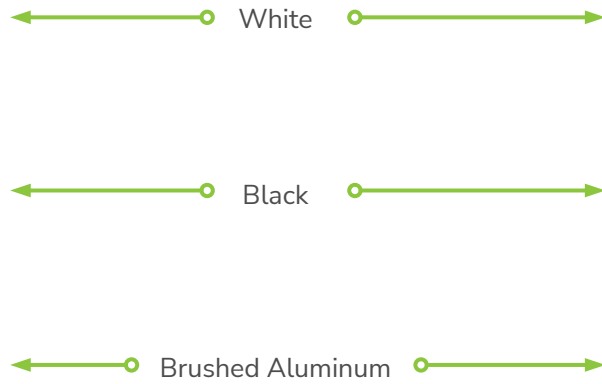


**TRIM OPTIONS**

**MAGNETIC FACE TRIM**



The PK300 LED Pucks are available in 3 colors:



**SURFACE MOUNT SPACER**



**COLOR TEMPERATURE SETTINGS**



CCT is controlled by the toggle switch on the puck front

Toggle it to the rightmost, the Light is set at CW (3000K)

Toggle it to the middle, the Light is set at NW (4000K)

Toggle it to the leftmost, the Light is set at WW (5000K)

**3 COLOR TEMPERATURE SETTINGS**

Traditional White (3000K)



Warm White (4000K)

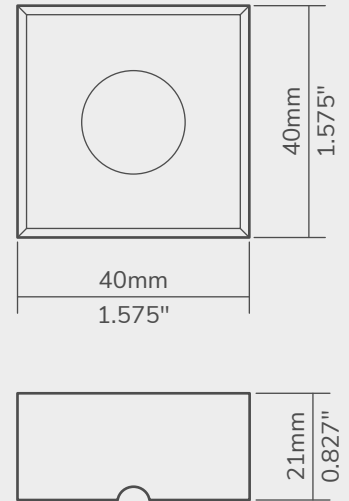


Natural White (5000K)





**TECHNICAL DRAWING**



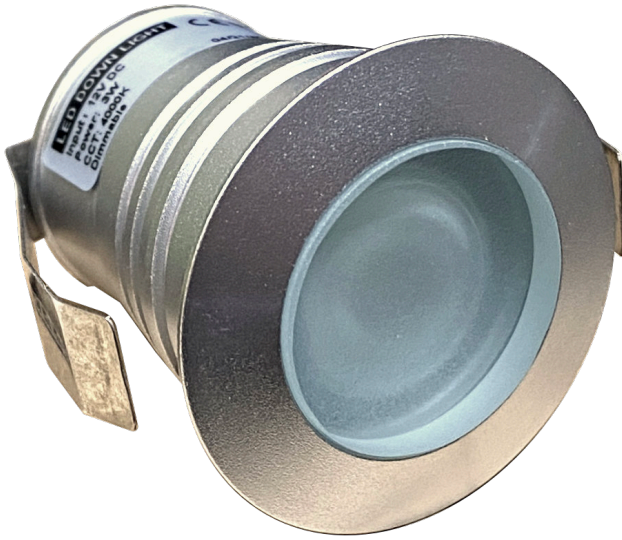
**TECHNICAL SPECIFICATIONS**

- Input Voltage : DC 12V
- LED Power : 1 Watt
- Color Options : 3000K
- Lumen Output : 90 LM
- Beam Angle : 45°
- CRI : >80
- IP class : IP 22
- Dimensions : 40 x 40 x 21mm

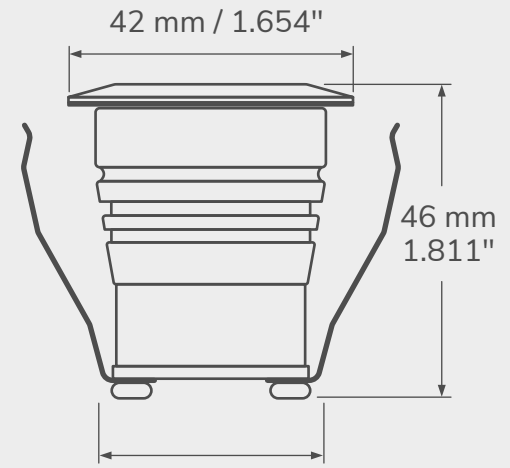
- Dimmable : Yes
- Working Temp : 40°C at room temp 25°C
- Warranty : 3 Years

**PRODUCT NUMBER**

LCPK400-12V-30K-BS



**TECHNICAL DRAWING**



Cutout: 32 mm / 1.260"

**TECHNICAL SPECIFICATIONS**

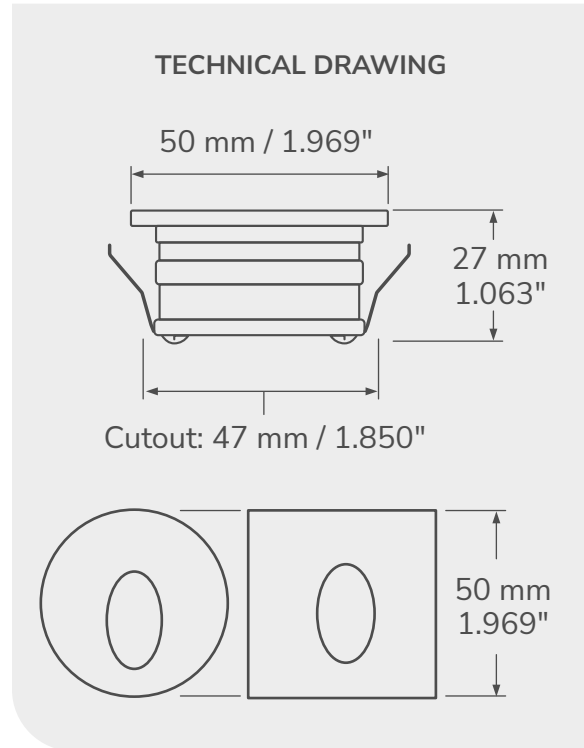
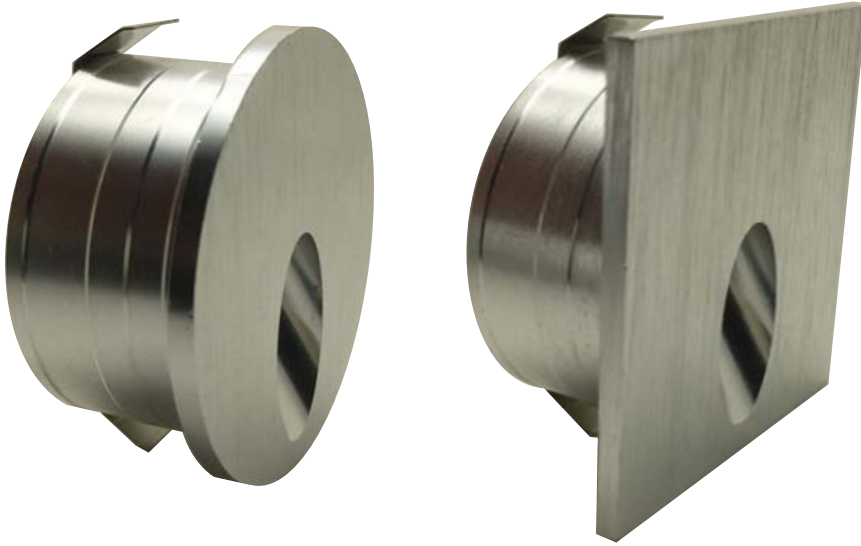
- Input Voltage : DC 12V
- LED Power : 3 Watt
- Color Temperature : 3000K - 4000K
- Lumen Output : 135 LM
- IRC : 80+
- Beam Angle : 45°
- Dimensions : 42 x 46mm
- Cutout Size : 32mm
- Dimmable : No
- Lifespan : +50 000 hours
- Warranty : 3 Years

**FEATURES**

- Small recessed light
- Suitable for indoor and outdoor use
- Simple to install
- Available in Brushed aluminium only

**PRODUCT NUMBERS**

- 3000K : LCPK500-30K
- 4000K : LCPK500-40K



## TECHNICAL SPECIFICATIONS

- |                 |                  |                |                          |
|-----------------|------------------|----------------|--------------------------|
| • Input Voltage | : DC 12V         | • Dimmable     | : Yes                    |
| • LED Power     | : 1 Watt         | • Working Temp | : 40°C at room temp 25°C |
| • Color Options | : 3000K - 4000K  | • Warranty     | : 3 Years                |
| • Lumen Output  | : 85 LM          | • Lifespan     | : 25 000 hrs             |
| • Beam Angle    | : 15°            |                |                          |
| • CRI           | : >80            |                |                          |
| • IP class      | : IP 21          |                |                          |
| • Dimensions    | : 50 x 50 x 27mm |                |                          |
| • Cutout Size   | : 47mm           |                |                          |

### PRODUCT NUMBERS

- |        |                    |
|--------|--------------------|
| Round  | : LCPK600R-30K/40K |
| Square | : LCPK600S-30K/40K |

### TRIM COLOR OPTIONS

Black

White

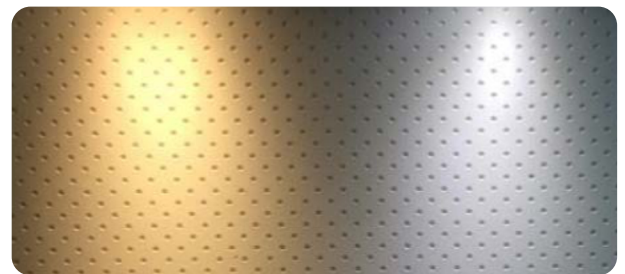
Stainless



### COLOR TEMPERATURE

3000K  
Warm White

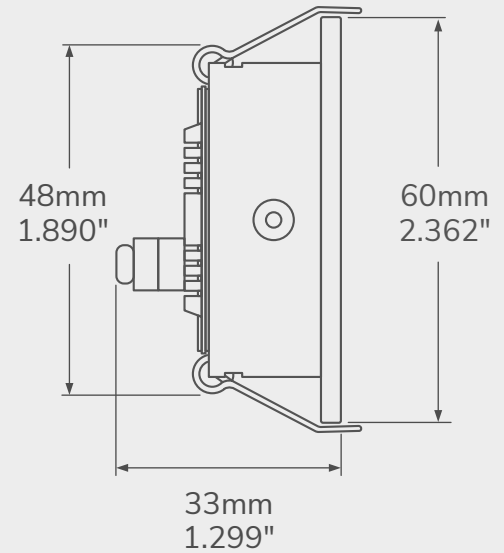
4000K  
Neutral White







### TECHNICAL DRAWING

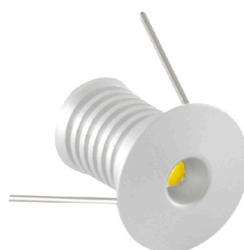
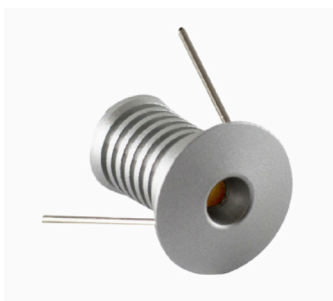
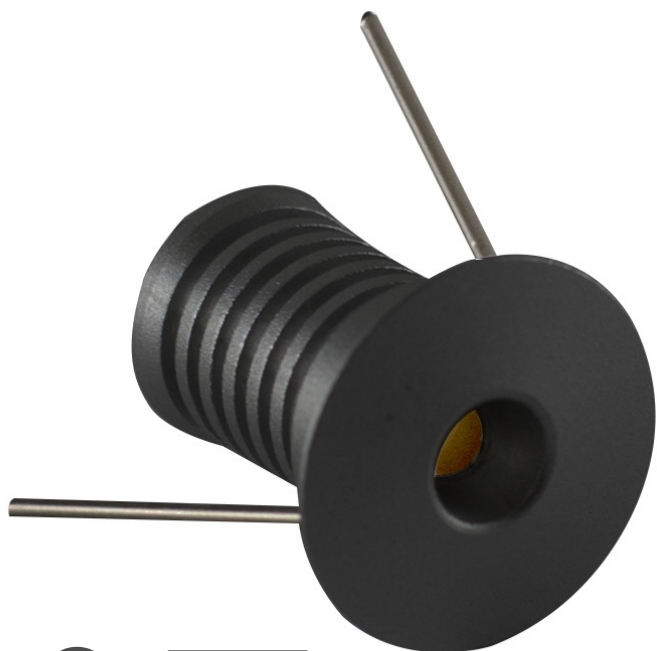


### TECHNICAL SPECIFICATIONS

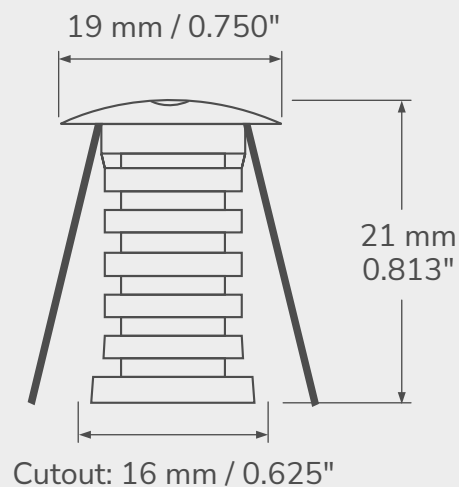
- |                 |                 |                |                          |
|-----------------|-----------------|----------------|--------------------------|
| • Input Voltage | : DC 12V        | • Dimmable     | : Yes                    |
| • LED Power     | : 3 Watt        | • Working Temp | : 40°C at room temp 25°C |
| • Color Options | : 3000K - 4000K | • Warranty     | : 3 Years                |
| • Lumen Output  | : 250 LM        | • Lifespan     | : 25 000 hrs             |
| • Beam Angle    | : 45°           |                |                          |
| • CRI           | : >80           |                |                          |
| • IP class      | : IP 20         |                |                          |
| • Color         | : Stainless     |                |                          |
| • Cutout Size   | : 48mm          |                |                          |

### PRODUCT NUMBERS

- |       |               |
|-------|---------------|
| 3000K | : LCPK700-30K |
| 4000K | : LCPK700-40K |



## TECHNICAL DRAWING



## TECHNICAL SPECIFICATIONS

- Input Voltage : DC 24V
- LED Power : 0.5 Watt
- Color Temperature : 3000K - 4000K
- Lumen Output : 68 LM
- Beam Angle : 30°
- CRI : >85
- IP class : IP 65
- Dimensions : 19 x 19 x 21mm
- Cutout Size : 16mm - 5/8"
- Dimmable : Yes
- Lifespan : 25 000 hrs
- Warranty : 3 Years

## FEATURES

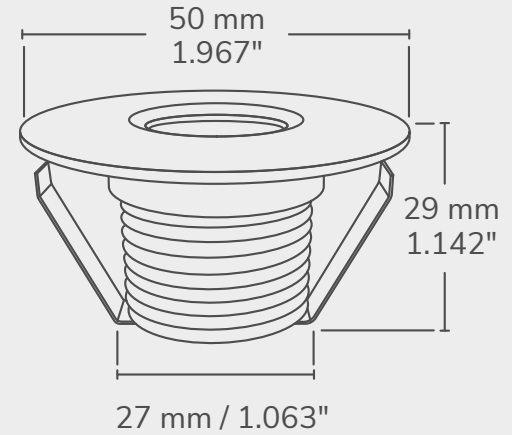
- Super bright ultra small recessed light
- Pressure fit clips good for thin walled structures
- Low profile trim
- Simple to install

## PRODUCT NUMBERS

- 3000K Black : LCPK800-0.5W-30K-BK
- 4000K Black : LCPK800-0.5W-40K-BK
- 3000K Stainless : LCPK800-0.5W-30K-BS
- 4000K Stainless : LCPK800-0.5W-40K-BS
- 3000K White : LCPK800-0.5W-30K-WH
- 4000K White : LCPK800-0.5W-40K-WH

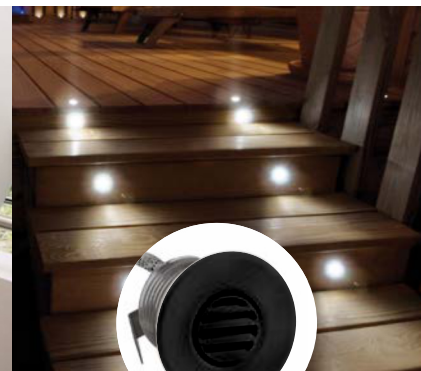
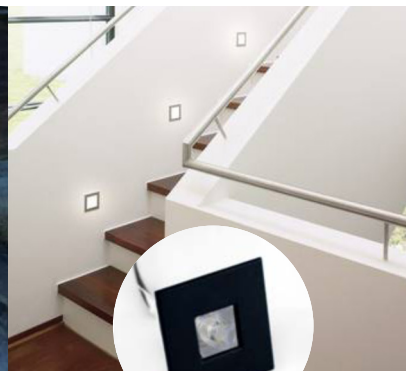
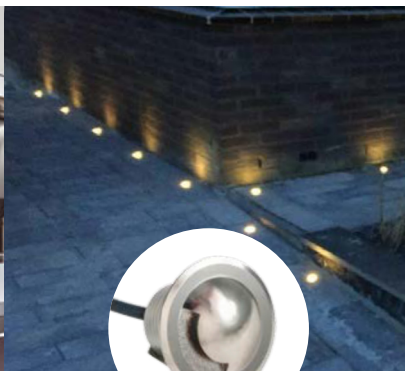


**TECHNICAL DRAWING**



**TECHNICAL SPECIFICATIONS**

- |                           |                     |                     |                                                 |
|---------------------------|---------------------|---------------------|-------------------------------------------------|
| • Voltage                 | : 12/24 V DC        | • Cutout size       | : 35mm / 1.378 inches                           |
| • Light Intensity         | : 125 Lumens        | • Lifespan          | : 25 000 Hours                                  |
| • Consumption             | : 1 Watts           | • Dimmable          | : Yes                                           |
| • Incandescent Equivalent | : 20 Watts          | • Protection Rating | : IP67                                          |
| • Colors and temperatures | : 3000K, 4000K, RGB | • Trim Options      | : 1 side, 2 sides, Round, Square & Round Louver |
| • Projection angle        | : 25°               | • Trim Colors       | : White, Black & Brushed Stainless              |
| • IRC                     | : >80               |                     |                                                 |
| • Power Factor            | : +90               |                     |                                                 |



**TRIM OPTIONS**

**MODELS**

**PRODUCT NUMBERS**



1 Way Stainless Steel

LCPK2000R-1W-1S-30K

LCPK2000R-1W-1S-40K



2 Way Stainless Steel

LCPK2000R-1W-2S-30K

LCPK2000R-1W-2S-40K



Square Black

LCPK2000S-1W-BK-30K

LCPK2000S-1W-BK-40K



Square White

LCPK2000S-1W-WH-30K

LCPK2000S-1W-WH-40K



Square Brushed Stainless

LCPK2000S-1W-BS-30K

LCPK2000S-1W-BS-40K



Round Black

LCPK2000R-1W-BK-30K

LCPK2000R-1W-BK-40K



Round White

LCPK2000R-1W-WH-30K

LCPK2000R-1W-WH-40K



Round Brushed Stainless

LCPK2000R-1W-BS-30K

LCPK2000R-1W-BS-40K



Round Louver Black

LCPK2000P-1W-BK-30K

LCPK2000P-1W-BK-40K



Round Louver Stainless

LCPK2000P-1W-BS-30K

LCPK2000P-1W-BS-40K