



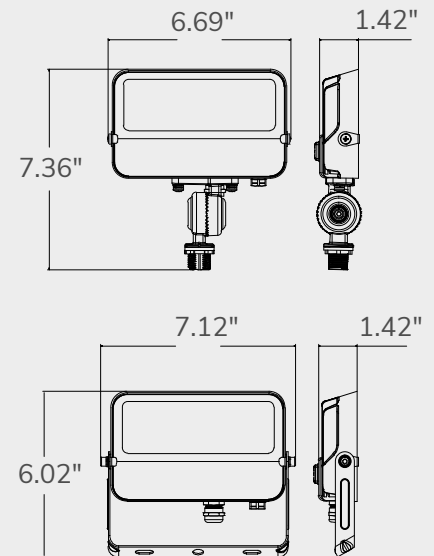
Knuckle Mount



Trunnion Mount



TECHNICAL DRAWING



TECHNICAL SPECIFICATIONS

FEATURES

- cULus listed, DLC Premium
- Switchable CCT (30K/40K/50K)
- Optional installation of knuckle and trunnion mount
- 120V, CRI \geq 70
- Dark bronze coat finish
- L70 @50,000 Hrs
- IP 65, wet location rated

PRODUCT NUMBERS

30 Watts

- Knuckle Mount : LCFLD120V-30W-MK-K
- Trunnion Mount : LCFLD120V-30W-MK-U

50 Watts

- Knuckle Mount : LCFLD120V-50W-MK-K
- Trunnion Mount : LCFLD120V-50W-MK-U

SPECIFICATIONS

• Wattage :	30W	50W
• Lumens :	3150LM	5250LM
• Beam angle :	90° x 120°	90° x 120°