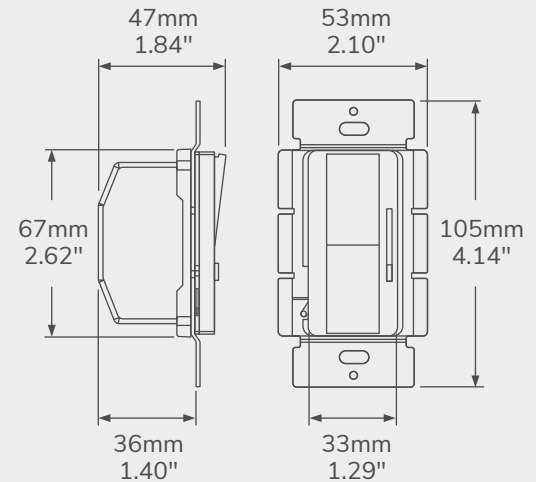




TECHNICAL DRAWING



TECHNICAL SPECIFICATIONS

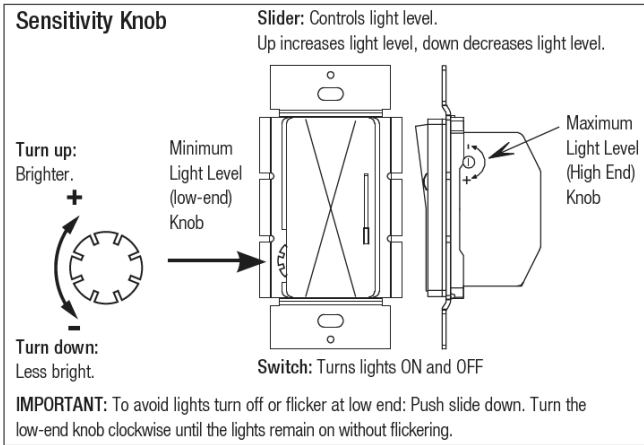
SPECIFICATIONS

- Dimmer type : LED dimmer
- Voltage : 120-277V AC 60HZ
- Capacity : 720W
- 3 Way : Yes
- Operating temperature : -10°C to 66°C
- Finish : White
- Certification : UL
- Warranty : 1 Year

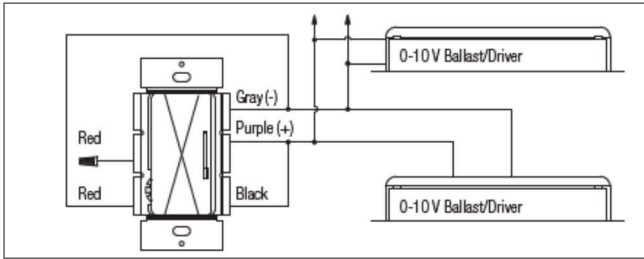
FEATURES

- Can adjust sensitivity with knob
- 0-10V Dimming Only
- Single Pole / 3 Way
- Standard Size
- Modern Sliding Dimmer Design
- Compatible with all 0-10V dimmable
- White Body Color

ADJUSTING SENSITIVITY



WIRING WITH DIMMING WIRES ONLY / NOT USING ON/OFF FEATURE UNLIMITED FIXTURES



WIRING FOR DIMMING WITH ON/OFF FEATURE MAX 720W

