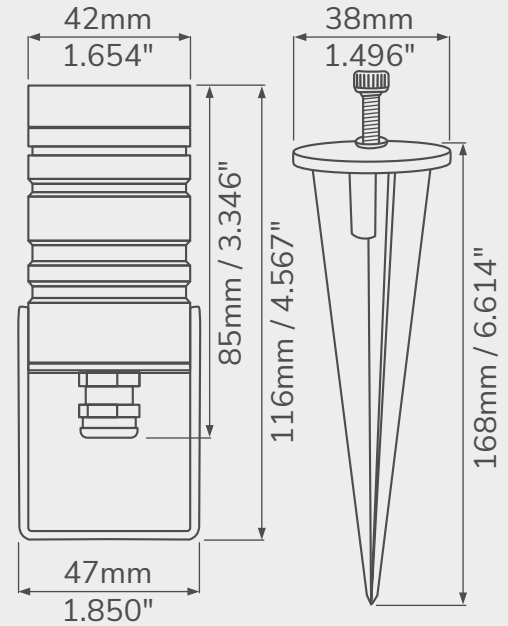




TECHNICAL DRAWING



TECHNICAL SPECIFICATIONS

- Voltage : 12V - 24V DC
- Light Intensity : 300 Lumens
- Consumption : 3 Watts
- Color temperatures : 3000K, 4000K, RGB
- Projection angle : 45°
- Operating temperature : -25°C ~ +60°C
- Lifespan : 30 000 Hours
- Dimmable : Yes
- Protection Rating : IP65
- Color : Black
- Aluminum spike : Yes

