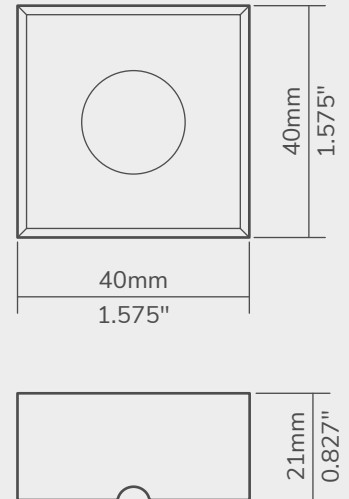




TECHNICAL DRAWING



TECHNICAL SPECIFICATIONS

- Input Voltage : DC 12V
- LED Power : 1 Watt
- Color Options : 3000K
- Lumen Output : 90 LM
- Beam Angle : 45°
- CRI : >80
- IP class : IP 22
- Dimensions : 40 x 40 x 21mm

- Dimmable : Yes
- Working Temp : 40°C at room temp 25°C
- Warranty : 3 Years

PRODUCT NUMBER

LCPK400-12V-30K-BS