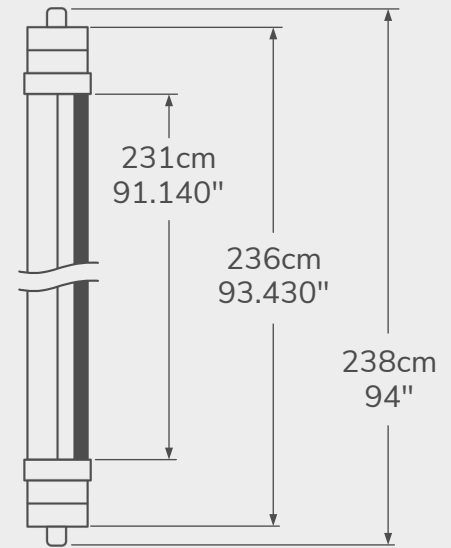




### TECHNICAL DRAWING



### TECHNICAL SPECIFICATIONS

- |                     |                     |                      |                |
|---------------------|---------------------|----------------------|----------------|
| • Input voltage     | : 120-277V, 50/60Hz | • Lifespan           | : 50 000 hours |
| • Wattage           | : 36 watts          | • Warranty           | : 5 years      |
| • Lumens            | : 4320lm            | • Color Temperatures | : 5000K        |
| • Luminous Efficacy | : 120lm/W           | • Length             | : 94 Inches    |
| • Beam angle        | : 180°              |                      |                |
| • Power factor      | : >0.9              |                      |                |
| • Operation temp.   | : -20°C - 40°C      |                      |                |
| • Type              | : Type B            |                      |                |
| • Body              | : AL+PC             |                      |                |
| • End cap           | : FA8/R17D          |                      |                |
| • Lens              | : Frosted           |                      |                |
| • Dimmable          | : No                |                      |                |

