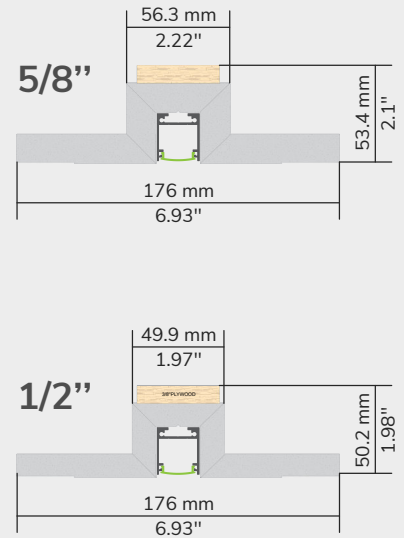


TECHNICAL DRAWING

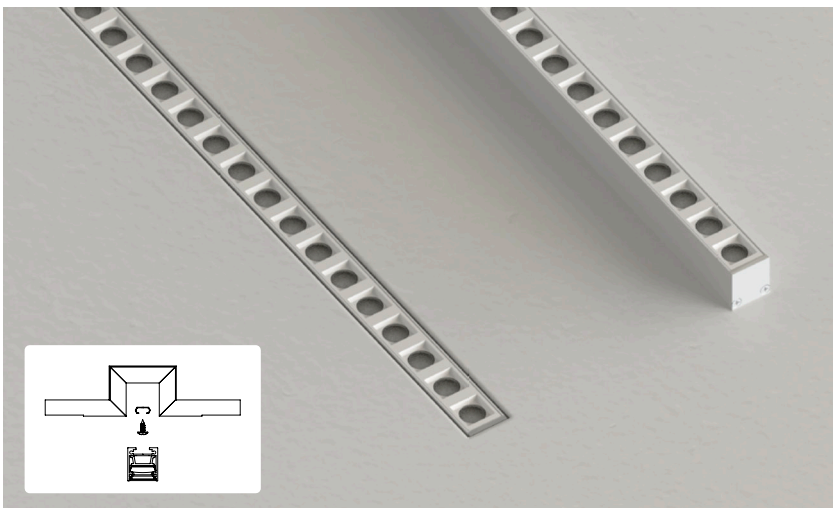


PRODUCT DESCRIPTION

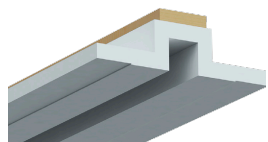
The Gypsum Groove system offers a solution for embedding subtle yet effective lighting within drywall surfaces, enabling the realization of exceptional illumination while maintaining a sleek, minimalist aesthetic. This fully integrated architectural lighting system aligns with the highest standards of fire safety. With its Class A certification under the International Building Code, the system is perfectly suited for both commercial and residential applications, ensuring safety without compromising on design. **This Gypsum Groove is to be used with the aluminum profile series 145.**

FEATURES

- Class A fire protection grade material
- 1/2in panel thickness for flush fit with standard 1/2in. gypsum panels or alignment with 5/8in. panels using drywall mud.
- Special order available for 5/8in thick panels.
- Direct fit for the 145 profile in ALCOA 6063-T5 aluminum alloy for superior heat dissipation
- Sold in straight 4-foot (1.22m) sections.
- 8 feet sections available for special order.
- 5 Years warranty.

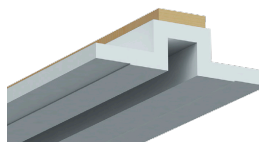


GYPSUM



1/2" Groove

1/2" Gypsum Groove 145
LCGYPSUM-GR-145-1/2



5/8" Groove

5/8" Gypsum Groove 145
LCGYPSUM-GR-145-5/8

Available in straight section of 4 feet (48 inches/1.22 m).

8 feet sections available for special order.

Can be used with phantom bracket or flat head screw

Light source sold separately from the Gypsum Profile

ALUMINUM PROFILE

PROFILE



Aluminum Profile 145
LCPROF-145

To see the complete specifications of the featured aluminum profile, visit the product page at:

Aluminum Profile 145: <https://ledco.ca/en/products/led-strip-aluminum-profile-145>