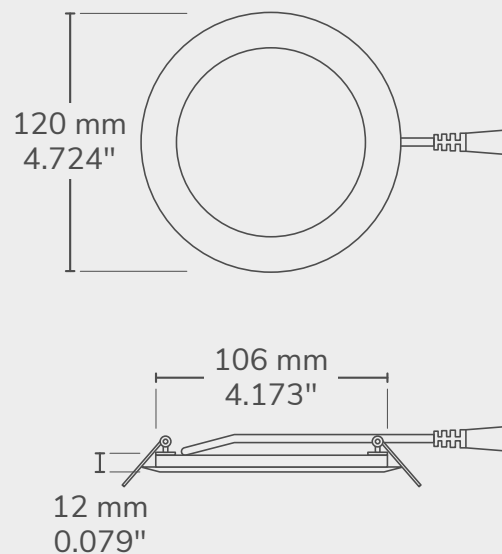




TECHNICAL DRAWING



TECHNICAL SPECIFICATIONS

- Color Temp. : 3000K / 5000K Tunable
- Lumens : 600±50LM
- Beam Angle : 120°
- CRI : >80
- Input Voltage : 12/24V
- Power : 8W
- Power Factor : >0.94
- Trim color : White
- Dimming : PWM
- Location Approved : Damp Location
- Certification : cETLus
- Lifespan : 25,000hrs
- Warranty : 3 years
- Panel Diameter : 4.72" - (120mm)
- Panel Depth : 0.47" - (12mm)



TRIM OPTIONS

Available trim options :

← White

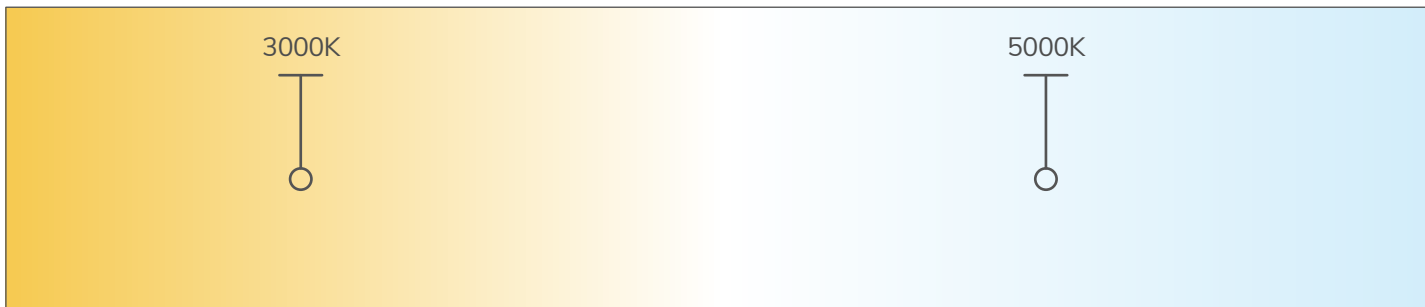
PRODUCT NUMBERS

White : LCDL-DLF4-12/24V-2CCT-WH

2 COLORS TEMPERATURE SETTINGS

WARM

COLD



DRIVER CONNECTION

