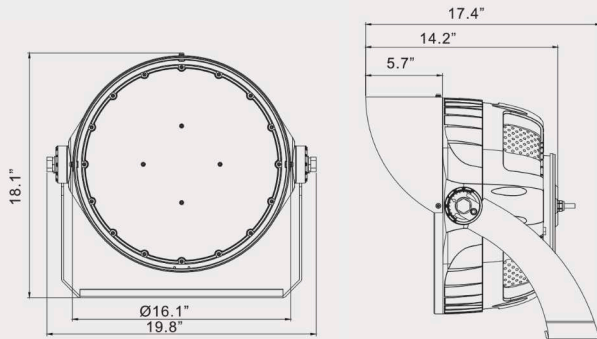


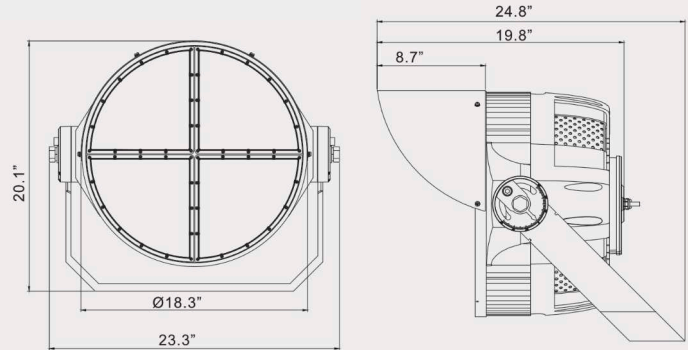


TECHNICAL DRAWINGS

*LCFLDSP-300-400-500-600W-50K-UV



*LCFLDSP-700-800-900-1000W-50K-UV



FEATURES AND BENEFITS

- Wattage : 300W-1000W
- Input Voltage : 120-347V
- Power Frequency : 50/60Hz
- Power Factor : >0.90
- Efficiency : 150lm/W

OPTICAL DATA

- LED Type : 5050 LED
- CCT : 5000K
- CRI : >70
- Beam Angle : 15°/25°/40°/60°/80°
- Dimming : 1-10V

Other info:

cULus listed, DLC Premium, L70 @ 100 000 Hrs / Black housing with Red accents, c/w Visor & "U" Bracket / 6KV surge protection, IP65 rated / 1M black cable, cast Aluminium design / Operating Temp. -40°C ~ +50°C

IN-DEPTH VIEW

The image shows three views of the floodlight: a side view with callouts A-D, a rear view with callouts E-G, and a front view with callout H. Callout A is a laser aiming device, B is a visor, C is the optics, D is the pointer board, E is the cooling system, F is the bracket, G is the metal mesh, and H is the waterproofing.

<p>A Laser Aiming Device (Helps precisely control the lighting beam angle and identify the optimal installation spot for each fixture.)</p>	<p>C Optics (Features advanced optics design with professional layout simulation technology, offering a variety of beam angle options: 15°, 40°, 60°, 80° for 1200W.)</p>	<p>E Cooling System (Featuring an individual heat sink design, this system significantly improves heat dissipation, ensuring a lifespan of over 60,000 hours (L70 from ISTMT).)</p>	<p>G Breathable "metal mesh" (Featuring a unique design with four individual metal mesh pieces, this component greatly enhances airflow and heat dissipation.)</p>
<p>B Visor (Enhances lighting efficiency, improves volumetric lighting distribution, and reduces glare.)</p>	<p>D Pointer Board (When the spotlight is adjusted to a specified angle, the pointer board displays the exact scale on the bracket with precise angle details.)</p>	<p>F Bracket (Secures the entire fixture for installation, with an adjustable angle range of 0° to 180°.)</p>	<p>H Waterproof (IP65) (Dustproof, waterproof, and breathable, it balances air pressure between the inside and outside of the fixture.)</p>

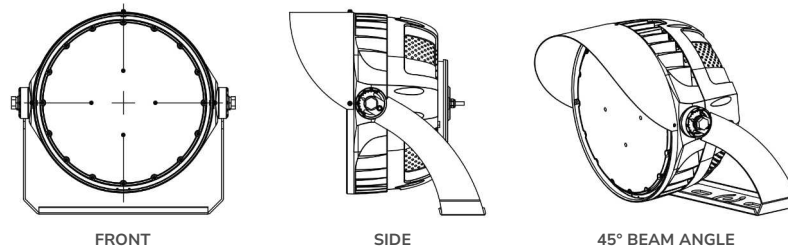
PRODUCT SPECIFICATION

Model	Wattage (W)	Input Voltage (V)	Hour Rating	Lumens	Color Temp. (K)	Optics / Distribution	CRI	Dimming	Dimension (inch)
LCFLDSP-300-400-500-600W-50K-UV	300-400-500-600	120-347	100000	45000-60000-75000-90000	5000	25° 40° 60°, Default 40°	>70	1-10V	19.8 x 18.1 x 17.4
LCFLDSP-700-800-900-1000W-50K-UV	700-800-900-1000	120-347	100000	105000-120000-135000-150000	5000	15° 40° 60° 80°, Default 40°	>70	1-10V	23.3 x 20.1 x 24.8

EFFECTIVE PROJECTED AREA

LCFLDSP-300-400-500-600W-50K-UV

FRONT : EPA=1.66ft²
 SIDE : EPA=1.54ft²
 45° BEAM ANGLE : EPA=2.02ft²



LCFLDSP-300-400-500-600W-50K-UV

FRONT : EPA=2.19ft²
 SIDE : EPA=2.38ft²
 45° BEAM ANGLE : EPA=2.74ft²

