
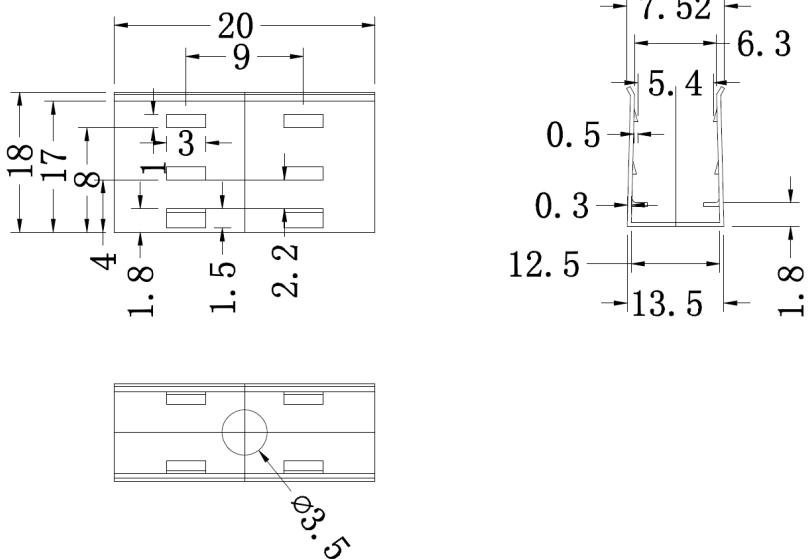


TECHNICAL SPECIFICATIONS

- | | | | |
|---------------------------|-----------------|---------------------------------------|------------------------|
| • Number of LED per meter | : 140pcs | • Eye security | : IEC 62471 |
| • Power W/m±10% | : 14.4W/M | • Protection class | : EN 62031 IEC 60598-1 |
| • Lumens per watt | : 120lm/W | • EMC / | : EN 55015 |
| • Voltage | : 24V DC | radio disturbance | characteristics |
| • PCB Width | : 8mm | | |
| • CRI | : 90 | | |
| • Max length | : 5m | *Available color temperature (Kelvin) | |
| • Cut Size | : 50mm | • 2700K (LCLS24VFLX-SV-14W-27K) | |
| • Dimmable | : Yes | • 3000K (LCLS24VFLX-SV-14W-30K) | |
| • ROHS | : Yes | • 4000K (LCLS24VFLX-SV-14W-40K) | |
| • CE | : Yes | | |
| • Lifespan | : 50 000+ hours | • RGB (Not yet available) | |
| • Protection code rating | : IP66 | | |



ACCESSORIES

		
<p>LCBRACK-FLEX-SV</p> <p>Accessory Kit for 6.5*11mm Side View Neon.</p> <p>Comes in a pack of 2.</p>		