

## DESCRIPTION

- TYPE: Back-Lit Mirror
- SHAPE: Rectangle
- Dimmable with any standard MLV / TRIAC dimmer wall switch
- CRI 90+
- IP Rating: 44
- 120V wiring
- Approx. 120,000 Hours Lifetime
- Complete UL and cUL Certification
- Hangs horizontally or vertically

## AVAILABLE LED COLORS (Kelvin)

3000K



6000K



Frosted glass



## MODELS AND SPECIFICATIONS

MODELS	PRODUCT NUMBERS	DIMENSIONS	LUMENS	WATTS	WEIGHT
Frosted Re. Backlit 20 X 28	LCMIR-REC-FB-2028-30/60K	20"W x 28"H x 1.6"D	3810/3910lm	33W	17lbs
Frosted Re. Backlit 24 X 32	LCMIR-REC-FB-2432-30/60K	24"W x 32"H x 1.6"D	4480/4490lm	41W	22lbs
Frosted Re. Backlit 40 X 24	LCMIR-REC-FB-4024-30/60K	40"W x 24"H x 1.6"D	5440/5450lm	49W	26lbs
Frosted Re. Backlit 40 X 36	LCMIR-REC-FB-4036-30/60K	40"W x 36"H x 1.6"D	6410/6430lm	58W	39lbs
Frosted Re. Backlit 36 X 36	LCMIR-REC-FB-3636-30/60K	36"W x 36"H x 1.6"D	5930/5940lm	54W	39lbs
Frosted Re. Backlit 48 X 28	LCMIR-REC-FB-4828-30/60K	48"W x 28"H x 1.6"D	6410/6430lm	58W	36lbs
Frosted Re. Backlit 48 X 36	LCMIR-REC-FB-4836-30/60K	48"W x 36"H x 1.6"D	7620/7830lm	65W	51lbs
Frosted Re. Backlit 55 X 28	LCMIR-REC-FB-5528-30/60K	55"W x 28"H x 1.6"D	7620/7830lm	65W	42lbs
Frosted Re. Backlit 42 X 42	LCMIR-REC-FB-4242-30/60K	42"W x 42"H x 1.6"D	7620/7830lm	65W	51lbs
Frosted Re. Backlit 60 X 36	LCMIR-REC-FB-6036-30/60K	60"W x 36"H x 1.6"D	8280/8510lm	71W	60lbs
Frosted Re. Backlit 70 X 32	LCMIR-REC-FB-7032-30/60K	70"W x 32"H x 1.6"D	8930/9180lm	76W	62lbs
Frosted Re. Backlit 79 X 30	LCMIR-REC-FB-7930-30/60K	79"W x 30"H x 1.6"D	9920/9940lm	90W	67lbs
Frosted Re. Backlit 70 X 45	LCMIR-REC-FB-7045-30/60K	70"W x 45"H x 1.6"D	9920/9940lm	90W	82lbs
Frosted Re. Backlit 85 X 40	LCMIR-REC-FB-8540-30/60K	85"W x 40"H x 1.6"D	10890/10910lm	98W	93lbs
Frosted Re. Backlit 100 X 45	LCMIR-REC-FB-10045-30/60K	100"W x 45"H x 1.6"D	12830/12860lm	116W	121lbs



### COLOR RENDERING INDEX

The color rendering index (CRI) of a light source is a quantitative measure of its ability to reproduce the colors of various objects faithfully in comparison with an ideal or natural light source.

In general terms, CRI is a measure of a light source's ability to show object colors "realistically" or "naturally".

We only use LED CRI 90+.

### COLOR TEMPERATURE

We offer 2 different light colors for our mirrors.

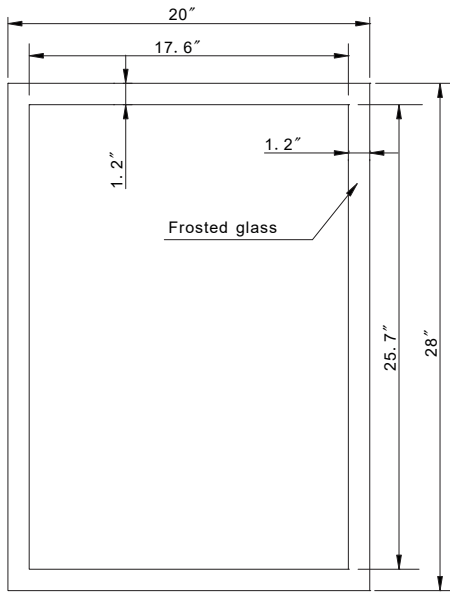
6000K: Pure white color light. It is the most popular color for makeup application and hairstyling.

In addition, the 6000K is 15% brighter than the 3000K light color. 85% of our customers choose the 6000K light color.

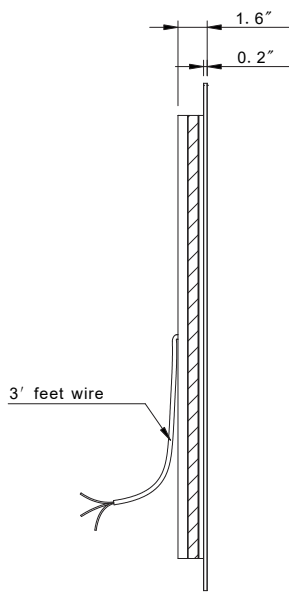
3000K: Warm white color light, the light is a little yellow.



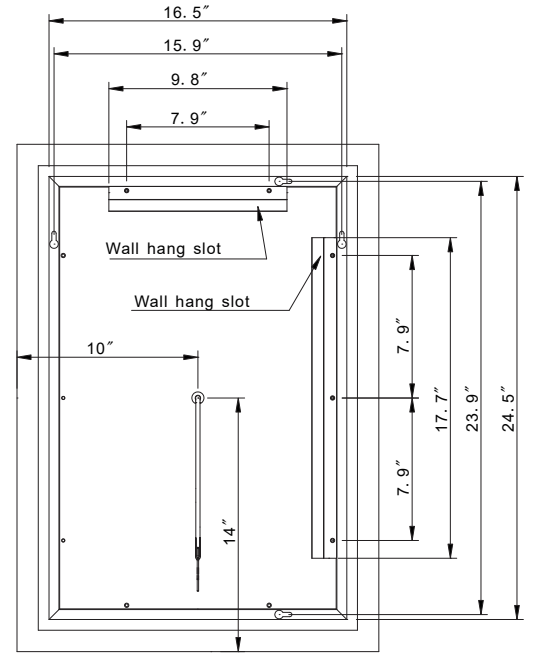
**FROSTED RECTANGLE BACKLIT 20 X 28**



FRONT VIEW

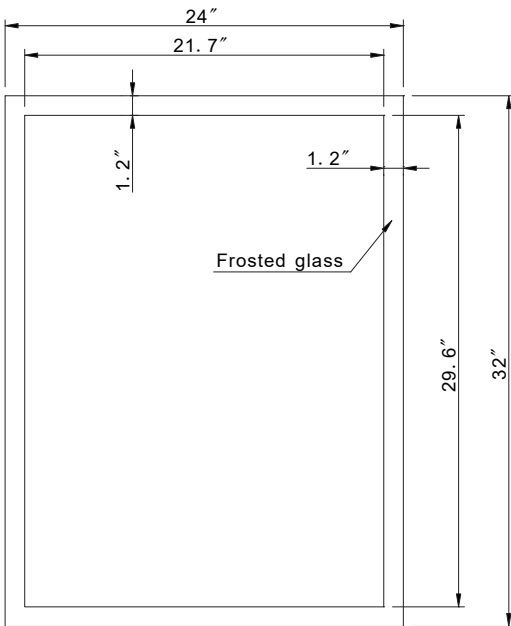


LEFT SIDE

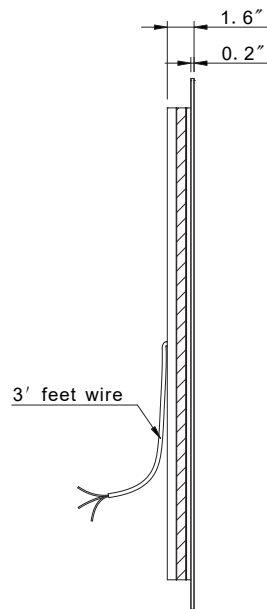


REAR VIEW

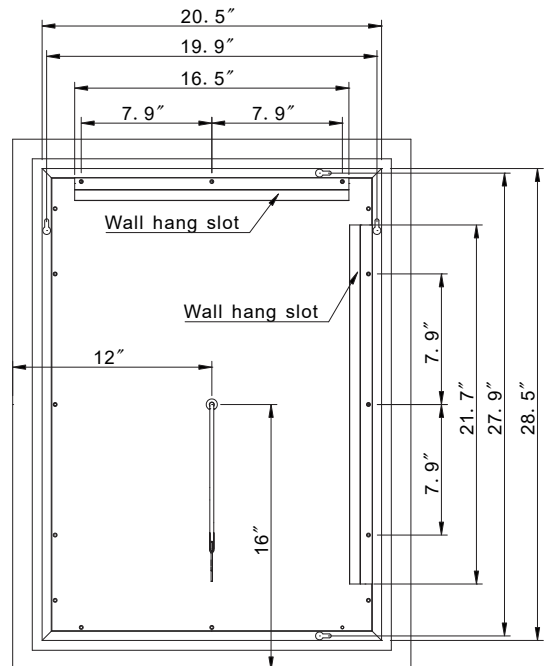
**FROSTED RECTANGLE BACKLIT 24 X 32**



FRONT VIEW



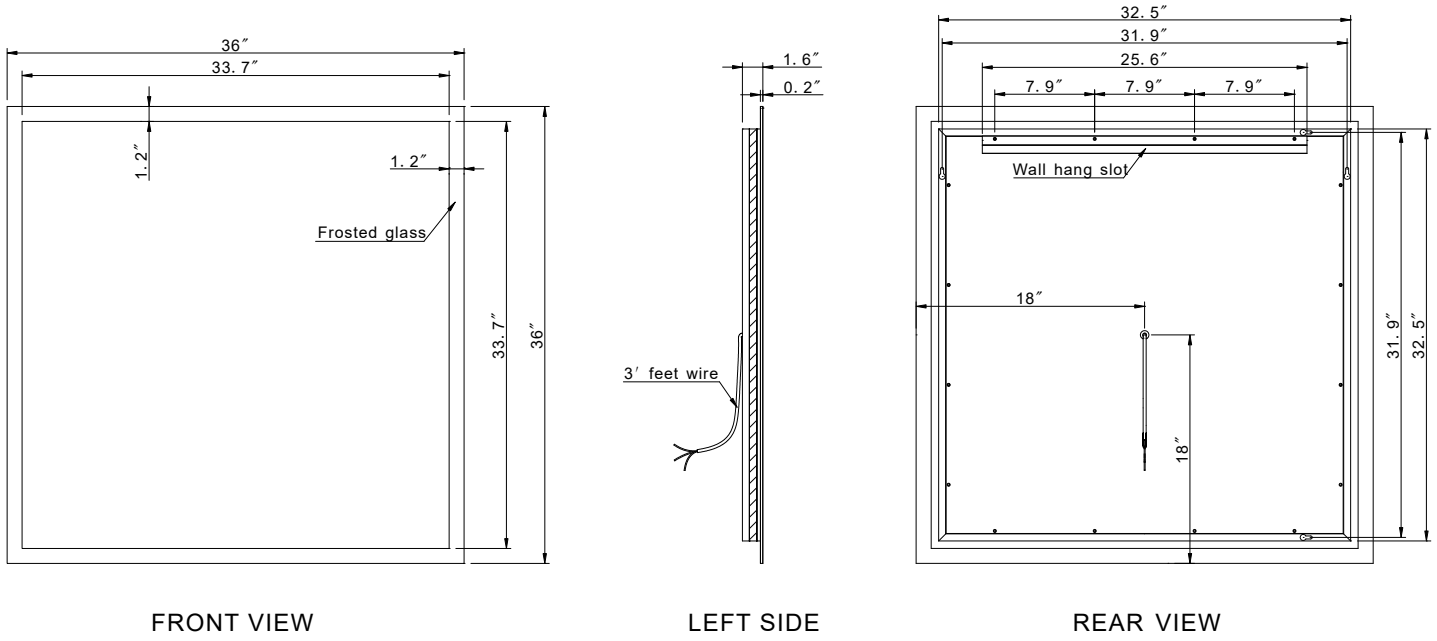
LEFT SIDE



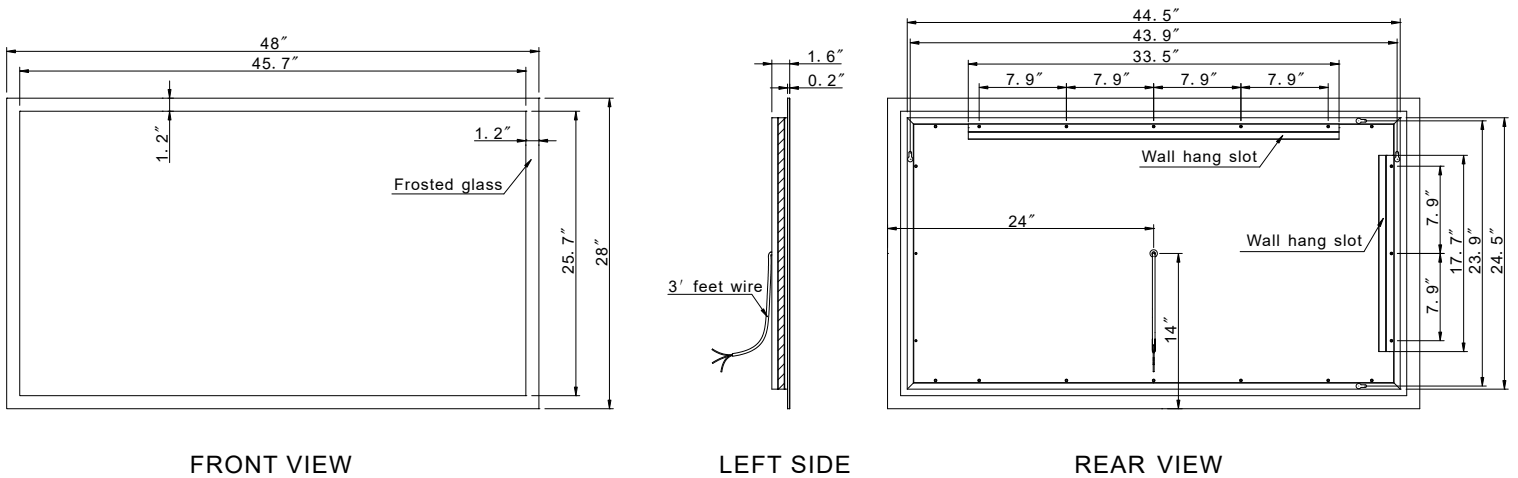
REAR VIEW



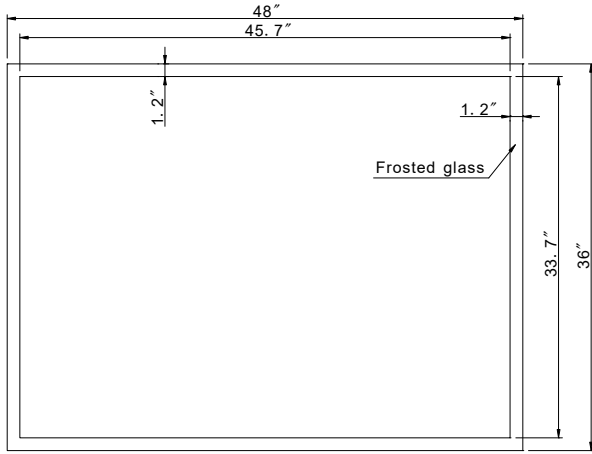
FROSTED RECTANGLE BACKLIT 36 X 36



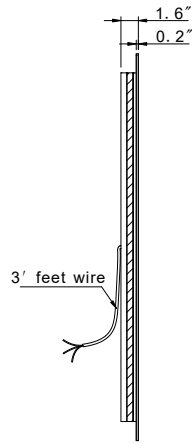
FROSTED RECTANGLE BACKLIT 48 X 28



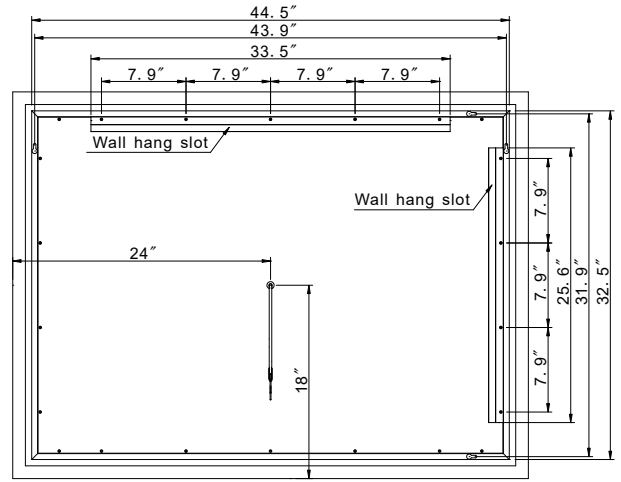
**FROSTED RECTANGLE BACKLIT 48 X 36**



FRONT VIEW

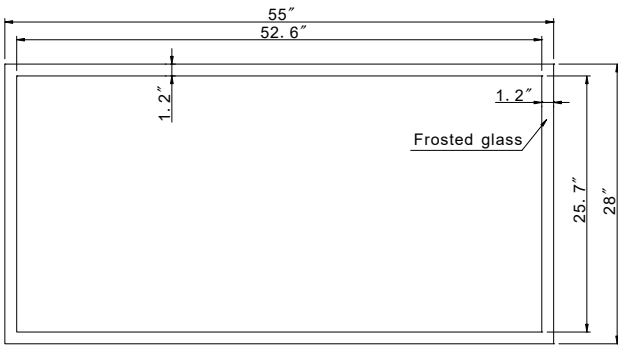


LEFT SIDE

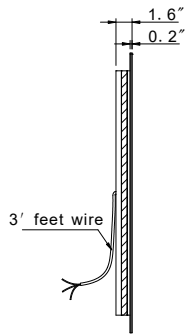


REAR VIEW

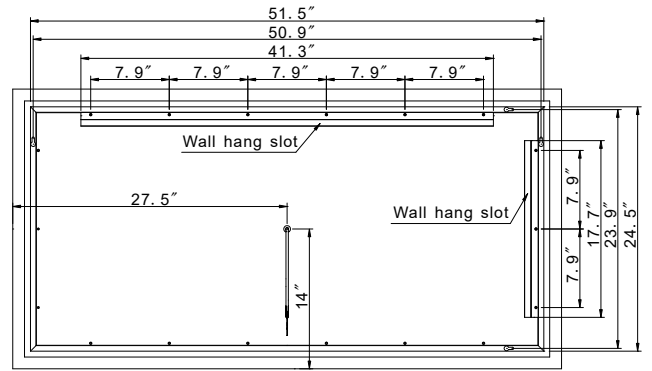
**FROSTED RECTANGLE BACKLIT 55 X 28**



FRONT VIEW

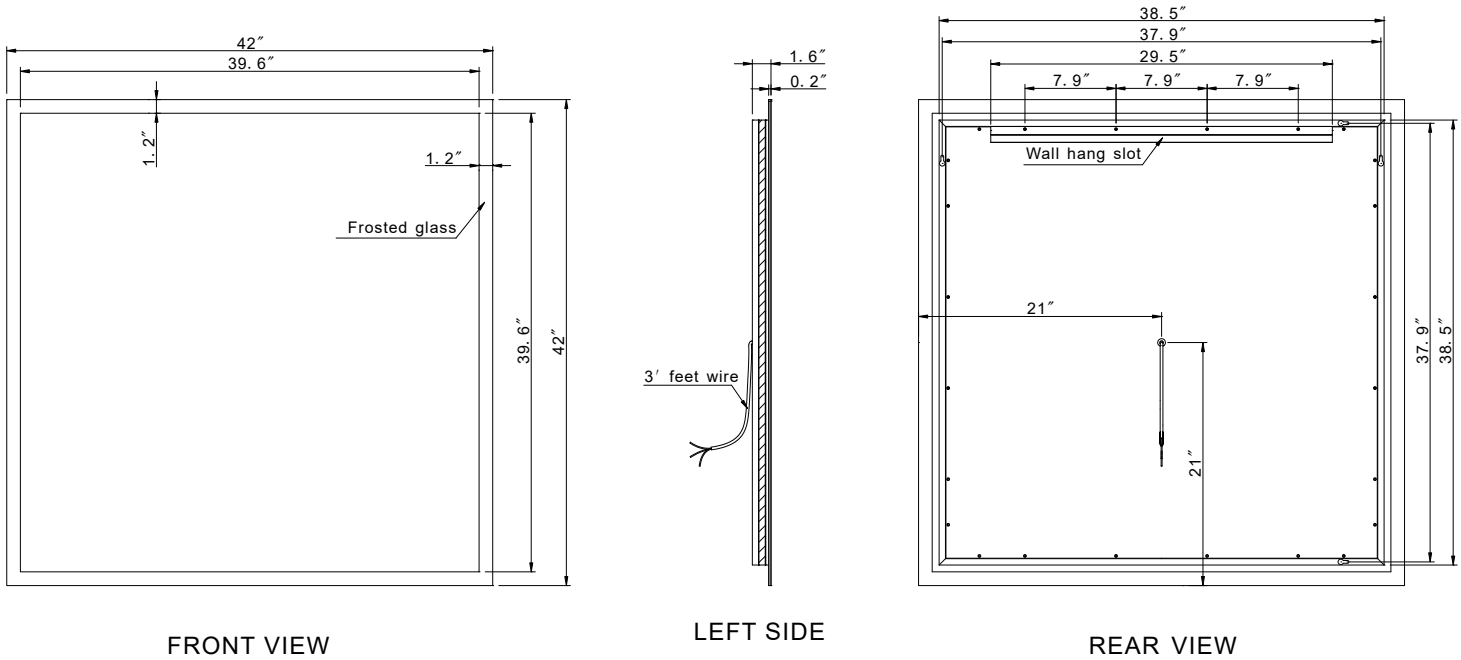


LEFT SIDE

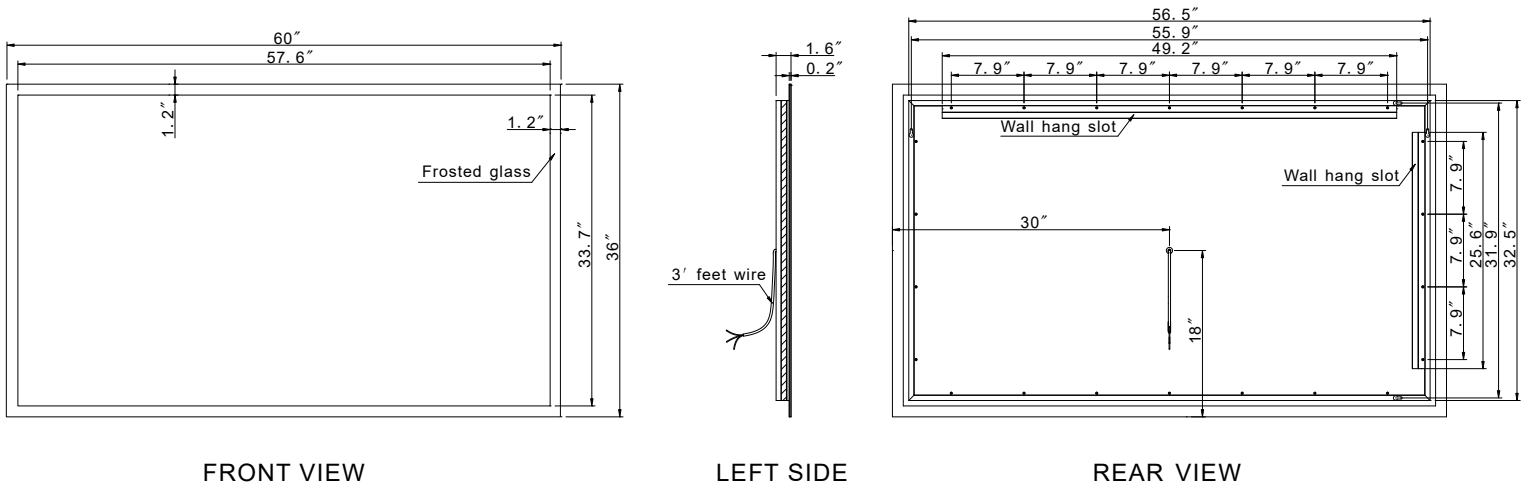


REAR VIEW

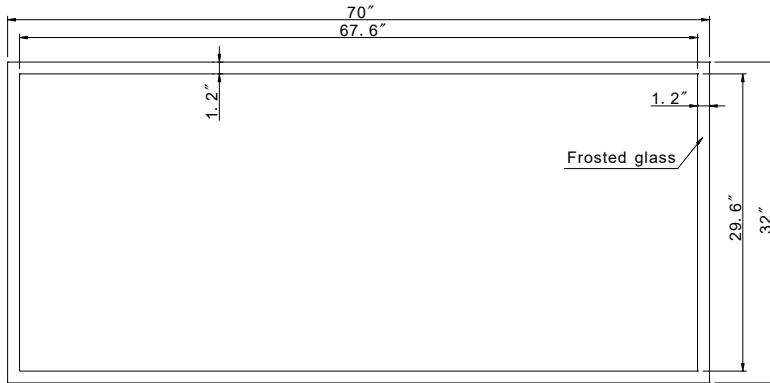
**FROSTED RECTANGLE BACKLIT 42 X 42**



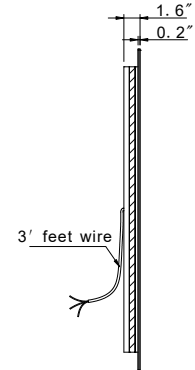
**FROSTED RECTANGLE BACKLIT 60 X 36**



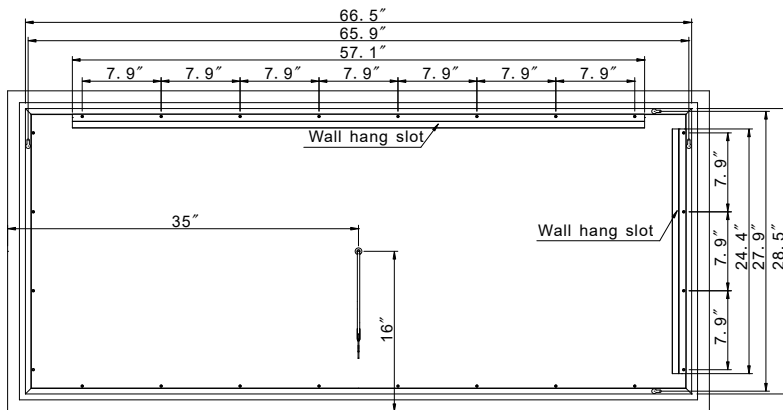
FROSTED RECTANGLE BACKLIT 70 X 32



FRONT VIEW



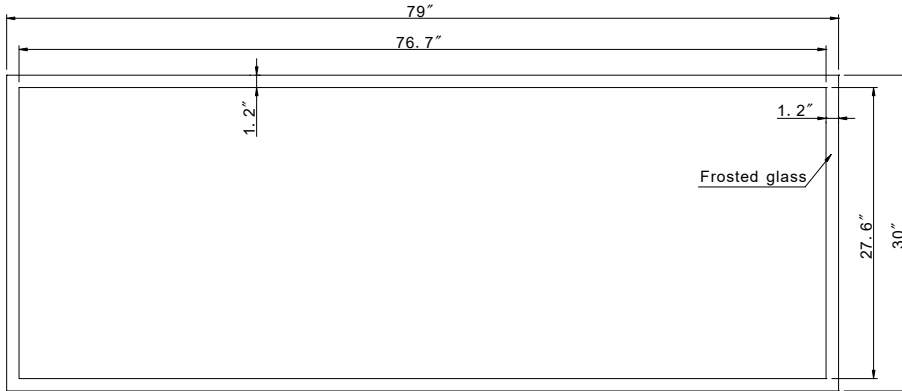
LEFT SIDE



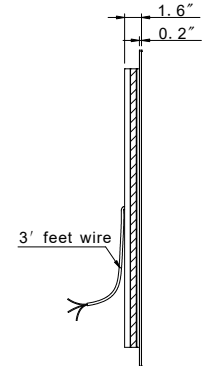
REAR VIEW



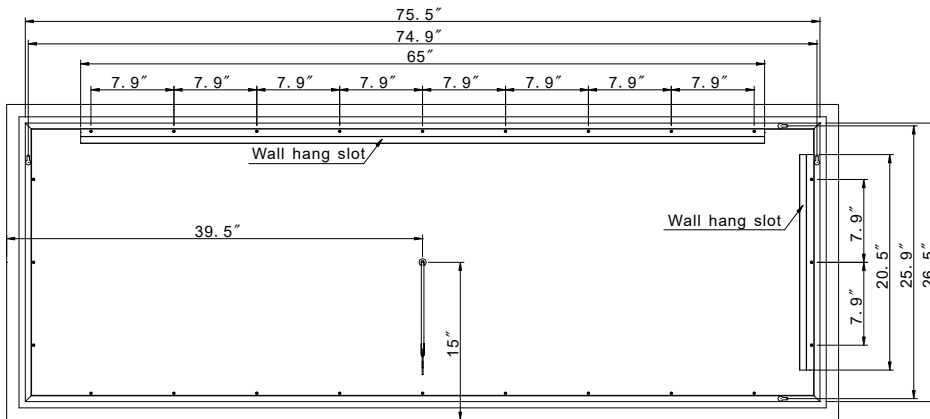
**FROSTED RECTANGLE BACKLIT 79 X 30**



FRONT VIEW

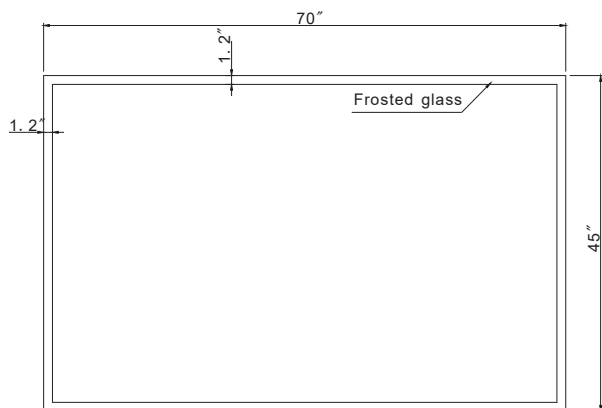


LEFT SIDE

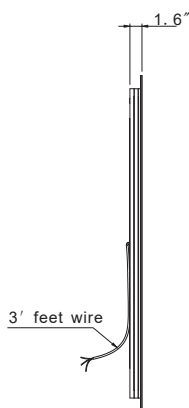


REAR VIEW

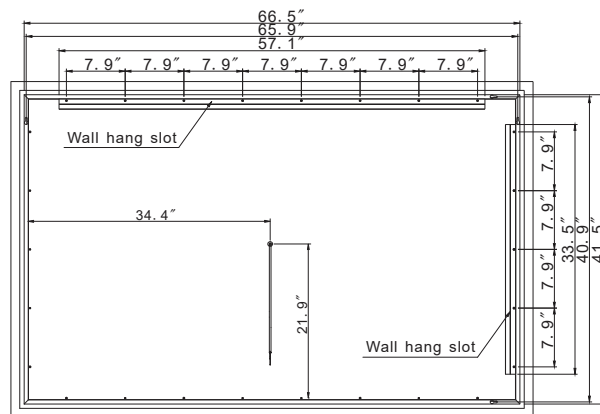
**FROSTED RECTANGLE BACKLIT 70 X 45**



FRONT VIEW

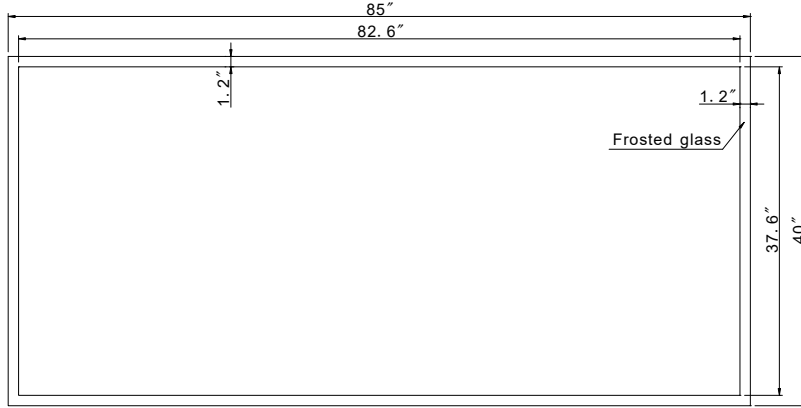


LEFT SIDE

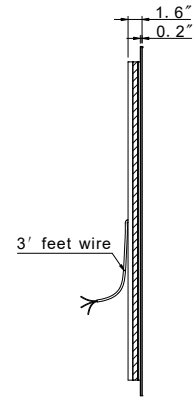


REAR VIEW

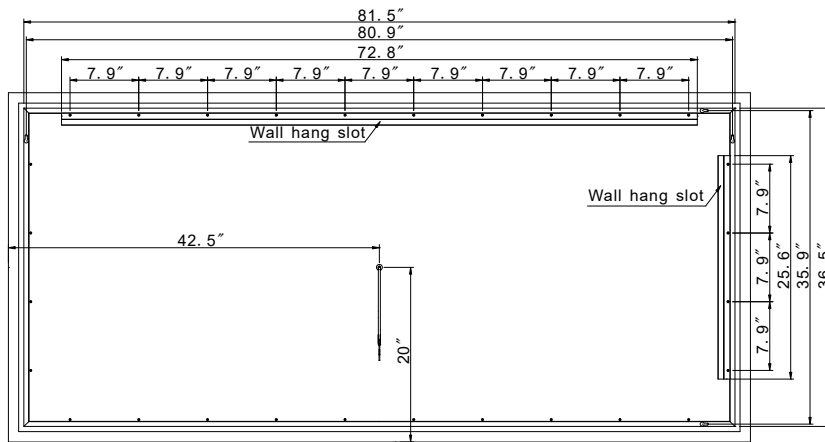
FROSTED RECTANGLE BACKLIT 85 X 40



FRONT VIEW



LEFT SIDE



REAR VIEW



## INSTALLATION & AFTER CARE INSTRUCTIONS

### Installation:

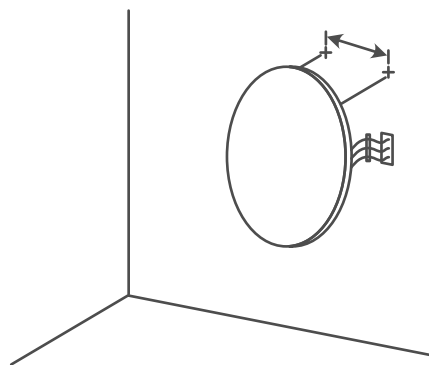
- All our LED mirrors have been independently tested for compliance with electrical equipment (safety) regulations.
- All illuminated and backlit mirrors are IP44 rated.
- Illuminated mirrors have been designed and independently tested for compliance to electrical equipment (safety) regulations, and are UL Certified.
- LEDs have a life expectancy of 120,000 hours of continuous use. All LED light fittings are replaceable and are available through our customer service.
- IMPORTANT: Always switch off the electrical supply at the mains during installation and maintenance.
- It is recommended that fuse is withdrawn or circuit breaker switched off before installation begins.
- Fitting in Bathrooms is subject to all regulations. It is not suitable for product installations in Saunas, Steam Rooms, or shower cubicles and it is recommended for permanent installation.

### Care Safety:

- Wear suitable eye wear protection when drilling. Use caution when using power tools near water, beware of hidden cables or pipes.
- Take care if drilling on tiled surfaces in case the drill slips. A piece of masking tape applied to wall before marking out fixing holes will stop drill from moving.

### Cleaning & Maintenance:

- It is recommended that the unit is cleaned with a soft, dry, non-abrasive cloth when turned off.
- Never use cleaning agents or abrasive material on any type of surface finish.
- Do not strike glass components with hard or pointed items.
- Do not place very hot or cold items against or close proximity to glass surfaces.



### 120V DIMMABLE LED DRIVER INCLUDED

- 1-Decide on wall positional placement.
- 2-Prepare & install wall hooks measured to distance between mirror's
- 3-Match & attach 3 electrical wires from mirror to home electrical wires: Live to Live, Ground to Ground, Neutral to Neutral.
- 4-Hang and affix to wall.