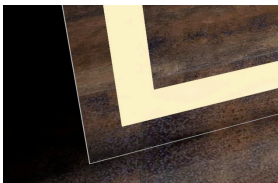


DESCRIPTION

- TYPE: Front-Lit Mirror
- SHAPE: Rectangle
- Dimmable with any standard MLV / TRIAC dimmer wall switch
- CRI 90+
- IP Rating: 44
- 120V wiring
- Approx. 120,000 Hours Lifetime
- Complete UL and cUL Certification
- Hangs horizontally or vertically

AVAILABLE LED COLORS (Kelvin)

3000K



6000K



MODELS AND SPECIFICATIONS

MODELS	PRODUCT NUMBERS	DIMENSIONS	LUMENS	WATTS	WEIGHT
Galaxy Rectangle 24 X 36	LCMIR-GALA-2436-30/60K	24"W x 36"H x 1.7"D	4960/4970lm	45W	27lbs
Galaxy Rectangle 48 X 28	LCMIR-GALA-4828-30/60K	48"W x 28"H x 1.7"D	6410/6430lm	58W	41lbs
Galaxy Rectangle 36 X 36	LCMIR-GALA-3636-30/60K	36"W x 36"H x 1.7"D	5930/5940lm	54W	37lbs
Galaxy Rectangle 40 X 36	LCMIR-GALA-4036-30/60K	40"W x 36"H x 1.7"D	6410/6430lm	58W	42lbs
Galaxy Rectangle 48 X 36	LCMIR-GALA-4836-30/60K	48"W x 36"H x 1.7"D	7620/7830lm	65W	49lbs
Galaxy Rectangle 55 X 36	LCMIR-GALA-5536-30/60K	55"W x 36"H x 1.7"D	8280/8510lm	70W	57lbs
Galaxy Rectangle 65 X 28	LCMIR-GALA-6528-30/60K	65"W x 28"H x 1.7"D	8280/8510lm	70W	54lbs
Galaxy Rectangle 42 X 42	LCMIR-GALA-4242-30/60K	42"W x 42"H x 1.7"D	7620/7830lm	65W	46lbs
Galaxy Rectangle 60 X 40	LCMIR-GALA-6040-30/60K	60"W x 40"H x 1.7"D	8930/9180lm	76W	69lbs
Galaxy Rectangle 70 X 32	LCMIR-GALA-7032-30/60K	70"W x 32"H x 1.7"D	8930/9180lm	76W	66lbs
Galaxy Rectangle 60 X 45	LCMIR-GALA-6045-30/60K	60"W x 45"H x 1.7"D	8960/9920lm	81W	75lbs
Galaxy Rectangle 85 X 40	LCMIR-GALA-8540-30/60K	85"W x 40"H x 1.7"D	10890/10910lm	98W	93lbs
Galaxy Rectangle 100 X 45	LCMIR-GALA-10045-30/60K	100"W x 45"H x 1.7"D	12830/12860lm	116W	121lbs



COLOR RENDERING INDEX

The color rendering index (CRI) of a light source is a quantitative measure of its ability to reproduce the colors of various objects faithfully in comparison with an ideal or natural light source.

In general terms, CRI is a measure of a light source's ability to show object colors "realistically" or "naturally".

We only use LED CRI 90+.

COLOR TEMPERATURE

We offer 2 different light colors for our mirrors.

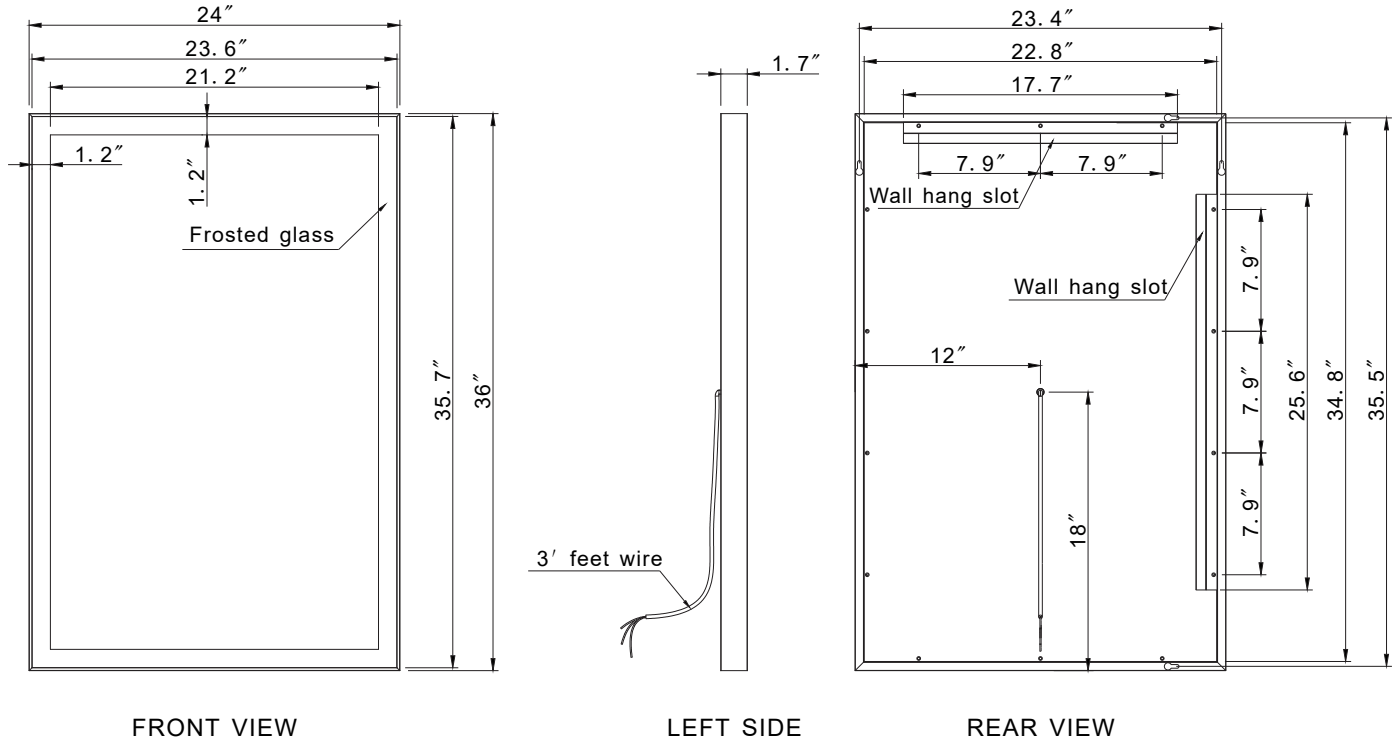
6000K: Pure white color light. It is the most popular color for makeup application and hairstyling.

In addition, the 6000K is 15% brighter than the 3000K light color. 85% of our customers choose the 6000K light color.

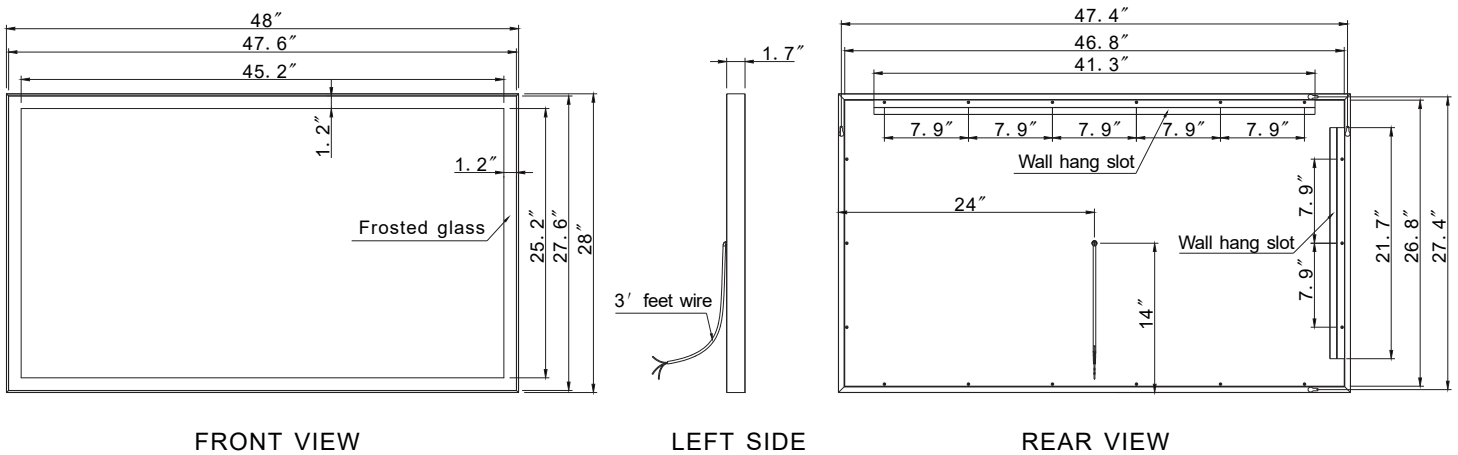
3000K: Warm white color light, the light is a little yellow.



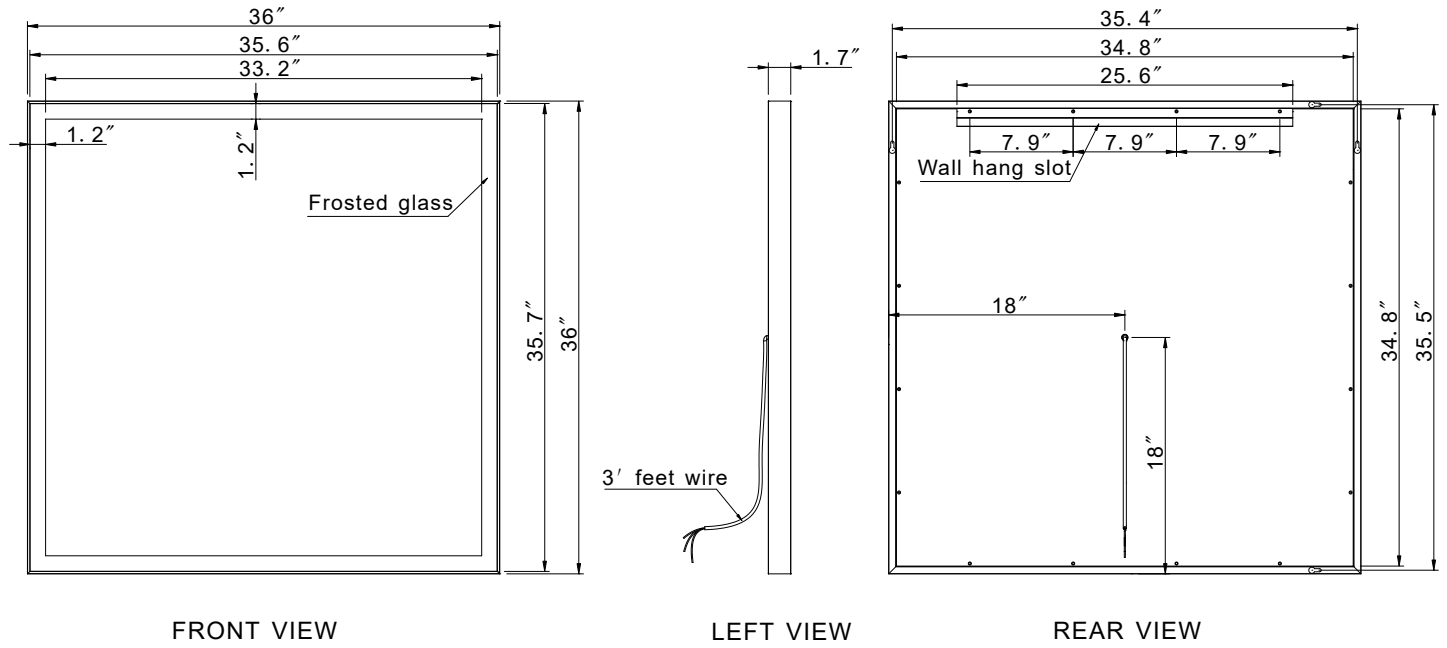
GALAXY RECTANGLE 24 X 36



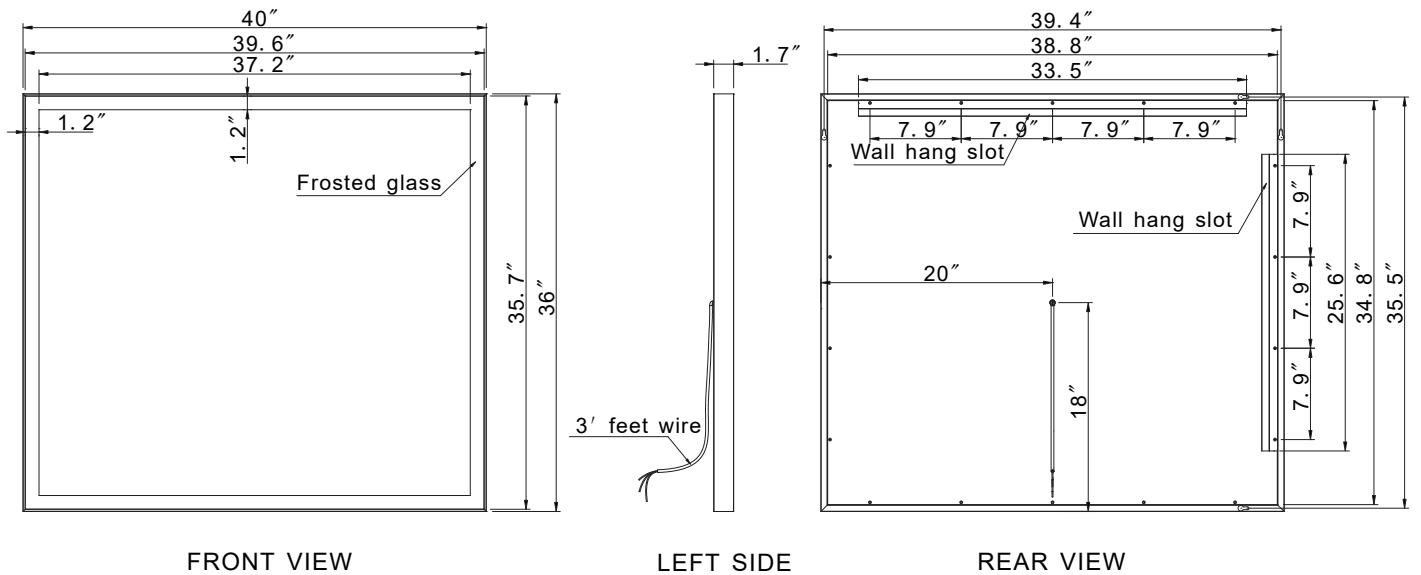
GALAXY RECTANGLE 48 X 28



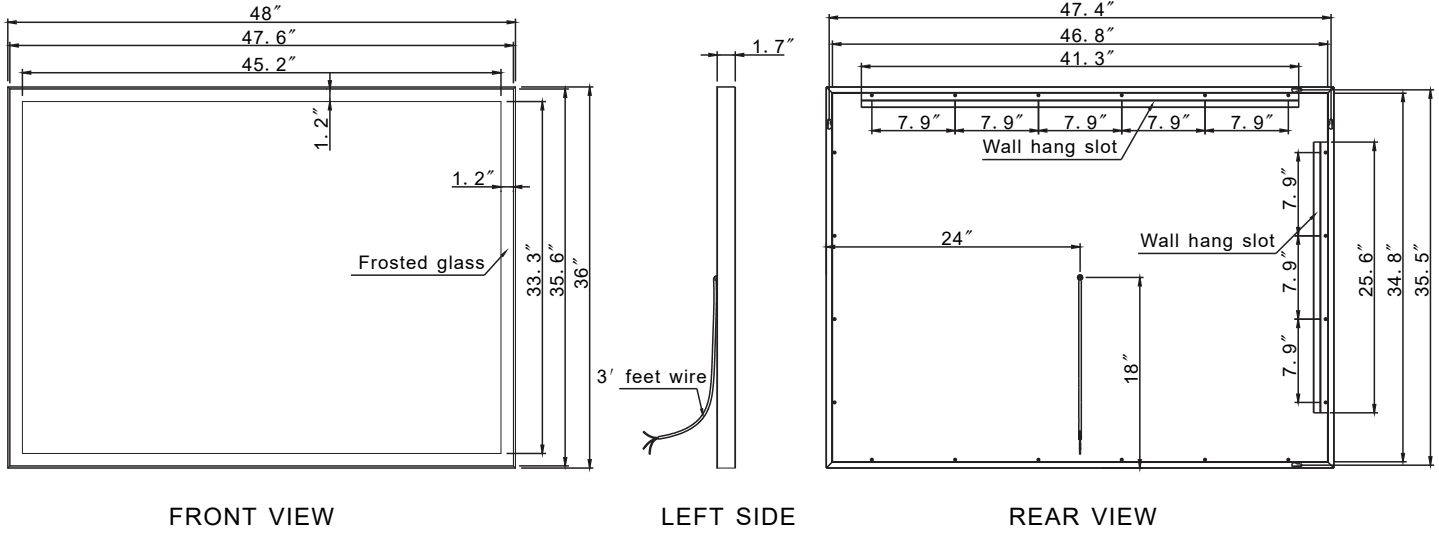
GALAXY RECTANGLE 36 X 36



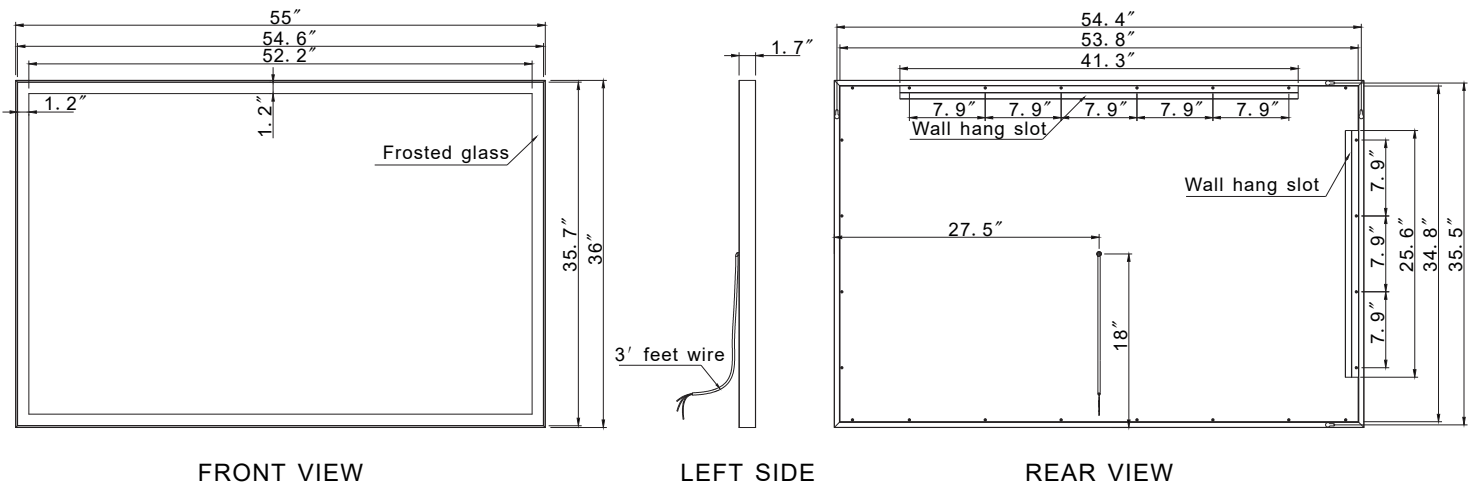
GALAXY RECTANGLE 40 X 36



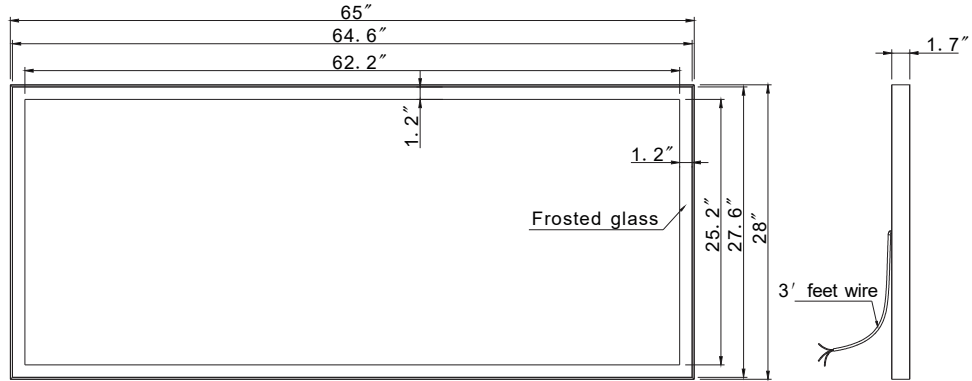
GALAXY RECTANGLE 48 X 36



GALAXY RECTANGLE 55 X 36

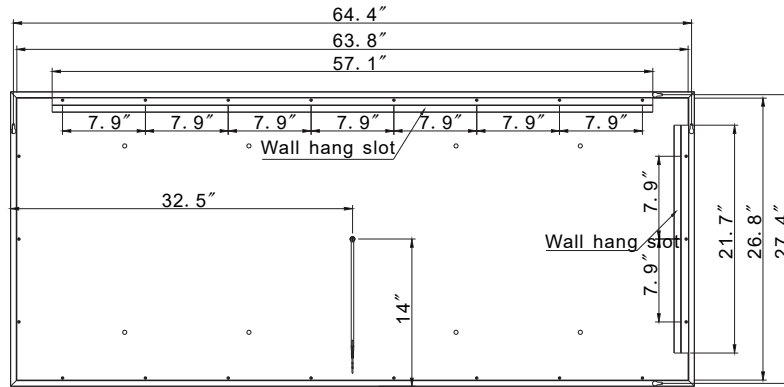


GALAXY RECTANGLE 65 X 28



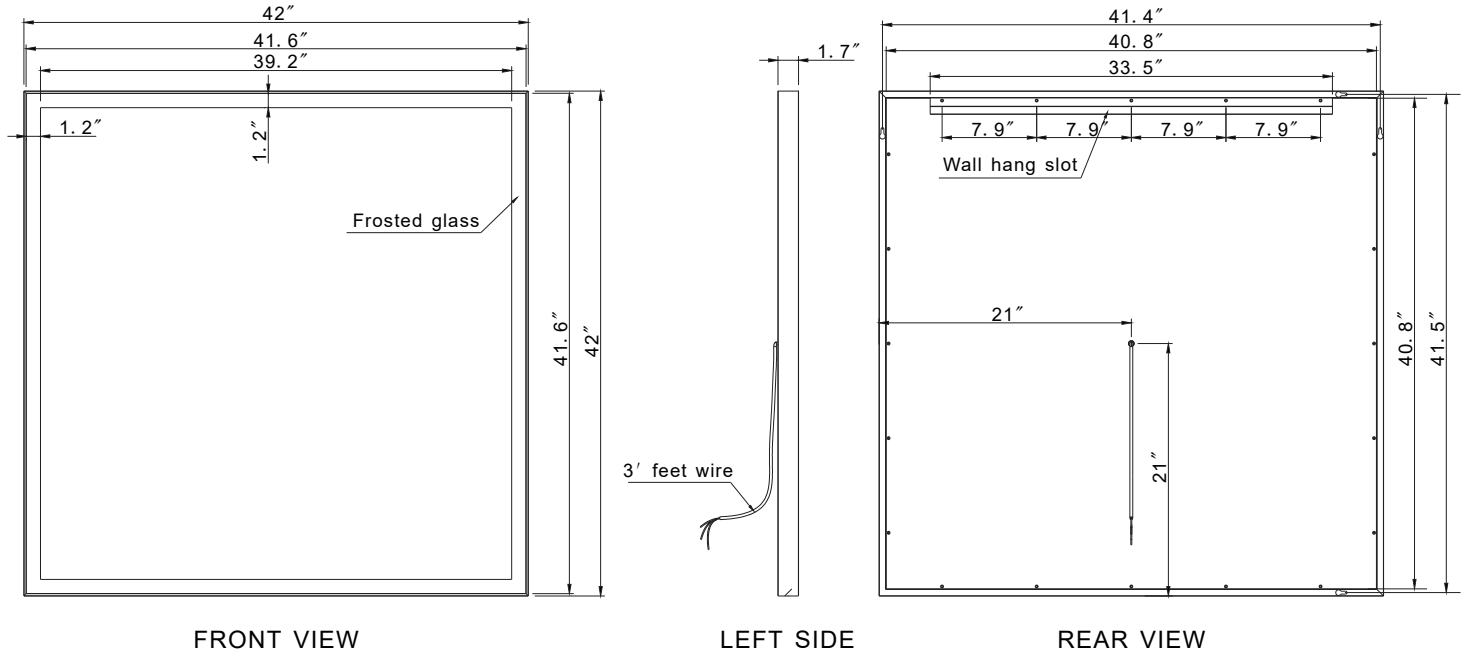
FRONT VIEW

LEFT SIDE

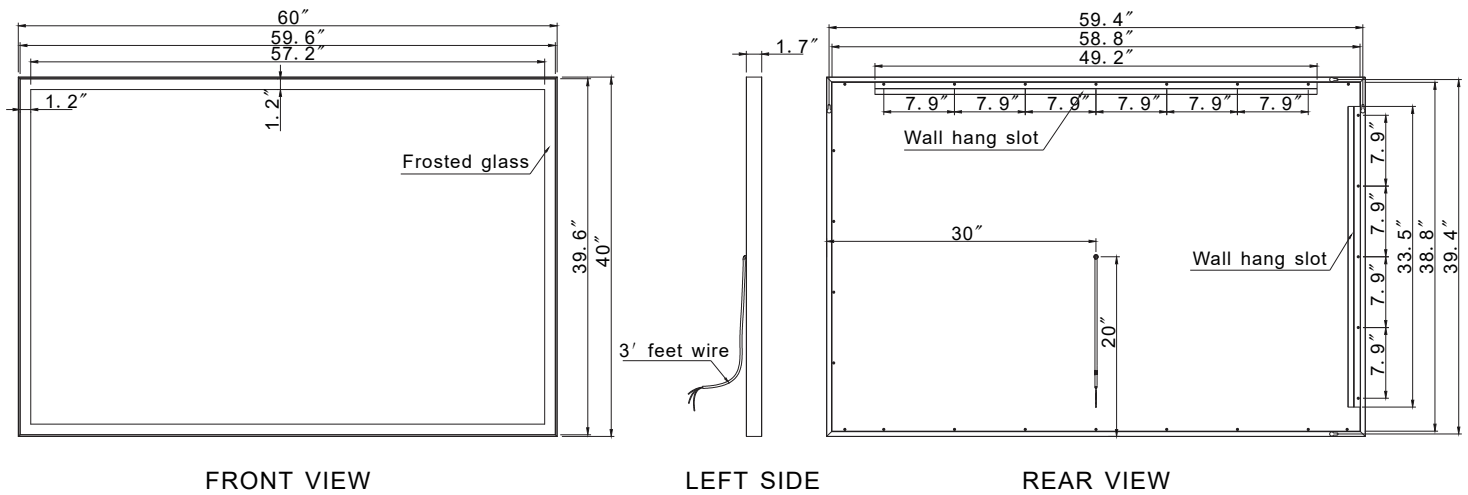


REAR VIEW

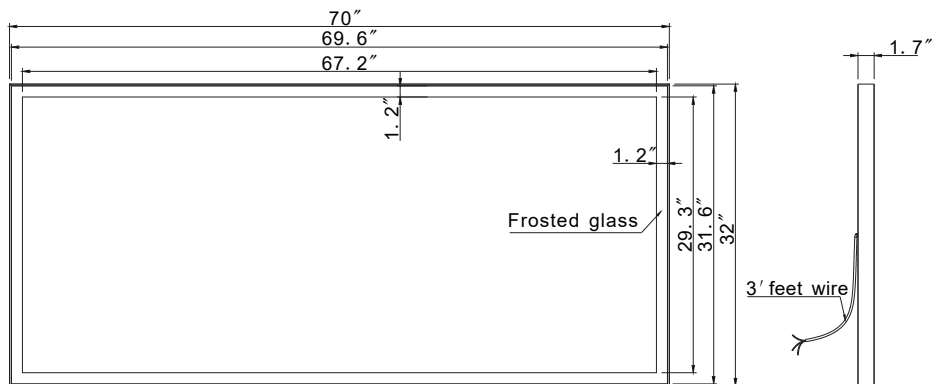
GALAXY RECTANGLE 42 X 42



GALAXY RECTANGLE 60 X 40

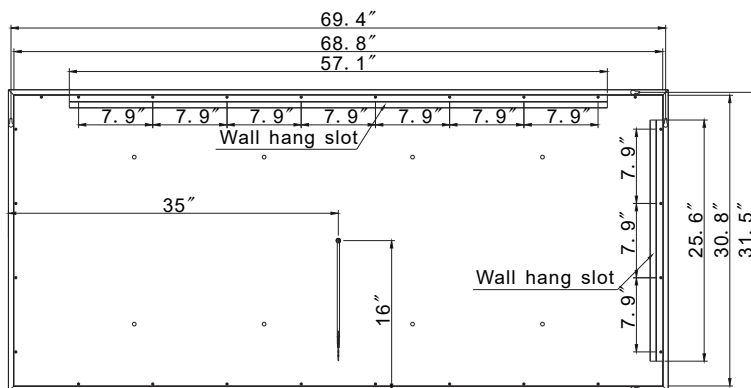


GALAXY RECTANGLE 70 X 32



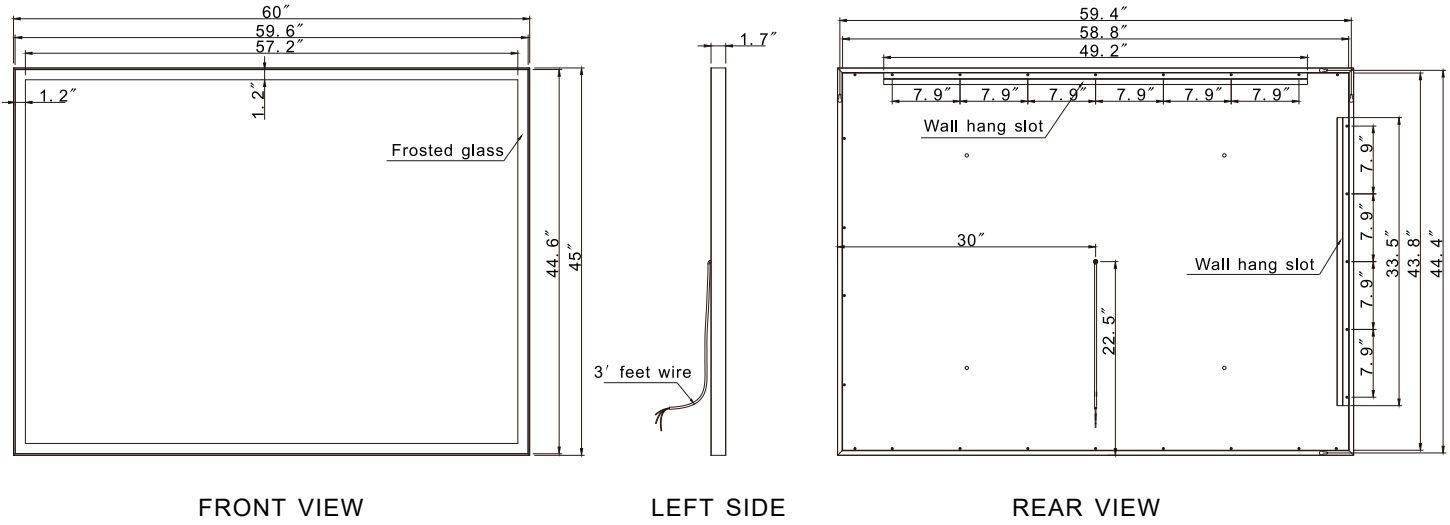
FRONT VIEW

LEFT SIDE

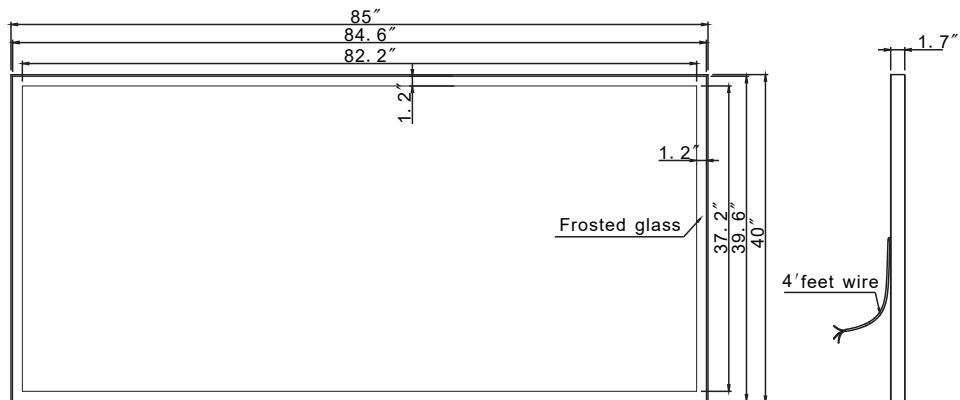


REAR VIEW

GALAXY RECTANGLE 60 X 45

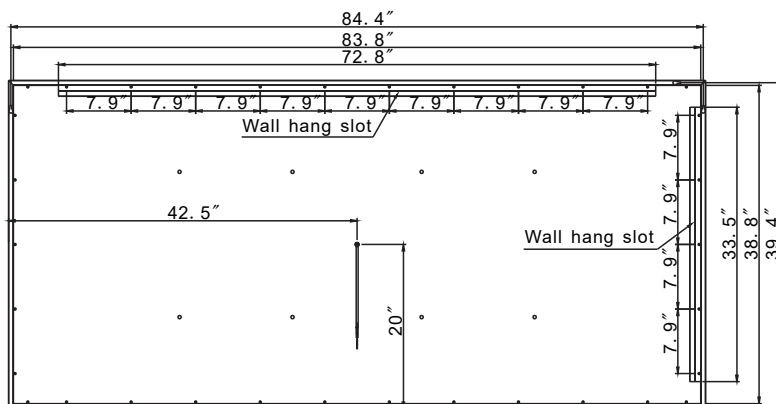


GALAXY RECTANGLE 85 X 40



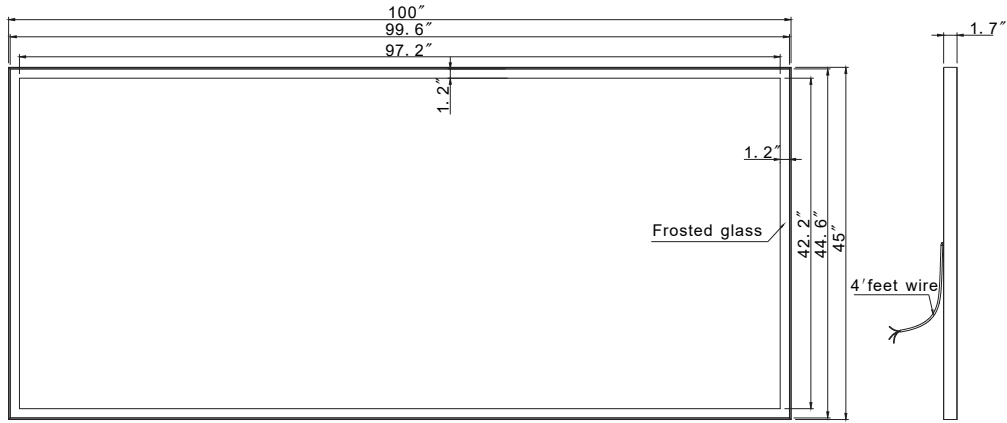
FRONT VIEW

LEFT SIDE



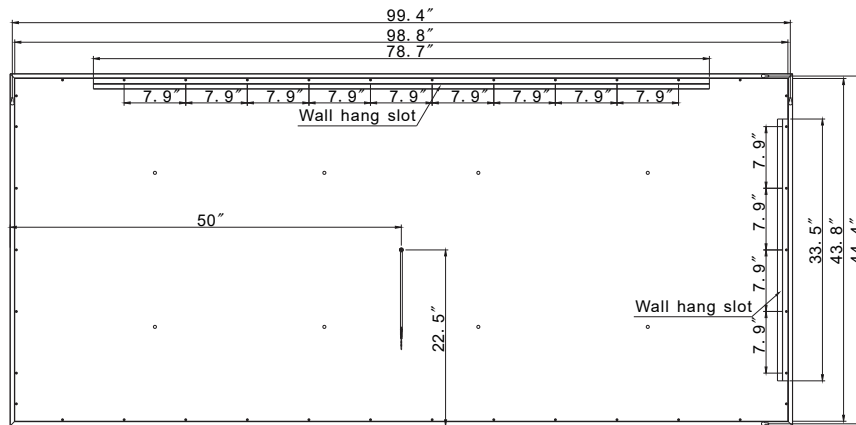
REAR VIEW

GALAXY RECTANGLE 100 X 45



FRONT VIEW

LEFT SIDE



REAR VIEW

INSTALLATION & AFTER CARE INSTRUCTIONS

Installation:

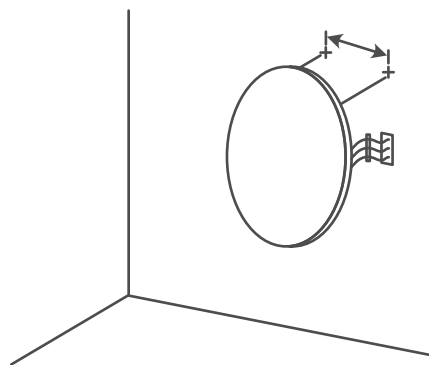
- All our LED mirrors have been independently tested for compliance with electrical equipment (safety) regulations.
- All illuminated and backlit mirrors are IP44 rated.
- Illuminated mirrors have been designed and independently tested for compliance to electrical equipment (safety) regulations, and are UL Certified.
- LEDs have a life expectancy of 120,000 hours of continuous use. All LED light fittings are replaceable and are available through our customer service.
- IMPORTANT: Always switch off the electrical supply at the mains during installation and maintenance.
- It is recommended that fuse is withdrawn or circuit breaker switched off before installation begins.
- Fitting in Bathrooms is subject to all regulations. It is not suitable for product installations in Saunas, Steam Rooms, or shower cubicles and it is recommended for permanent installation.

Care Safety:

- Wear suitable eye wear protection when drilling. Use caution when using power tools near water, beware of hidden cables or pipes.
- Take care if drilling on tiled surfaces in case the drill slips. A piece of masking tape applied to wall before marking out fixing holes will stop drill from moving.

Cleaning & Maintenance:

- It is recommended that the unit is cleaned with a soft, dry, non-abrasive cloth when turned off.
- Never use cleaning agents or abrasive material on any type of surface finish.
- Do not strike glass components with hard or pointed items.
- Do not place very hot or cold items against or close proximity to glass surfaces.



120V DIMMABLE LED DRIVER INCLUDED

- 1-Decide on wall positional placement.
- 2-Prepare & install wall hooks measured to distance between mirror's
- 3-Match & attach 3 electrical wires from mirror to home electrical wires: Live to Live, Ground to Ground, Neutral to Neutral.
- 4-Hang and affix to wall.