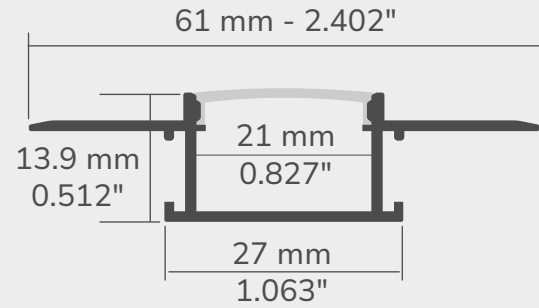




TECHNICAL DRAWING

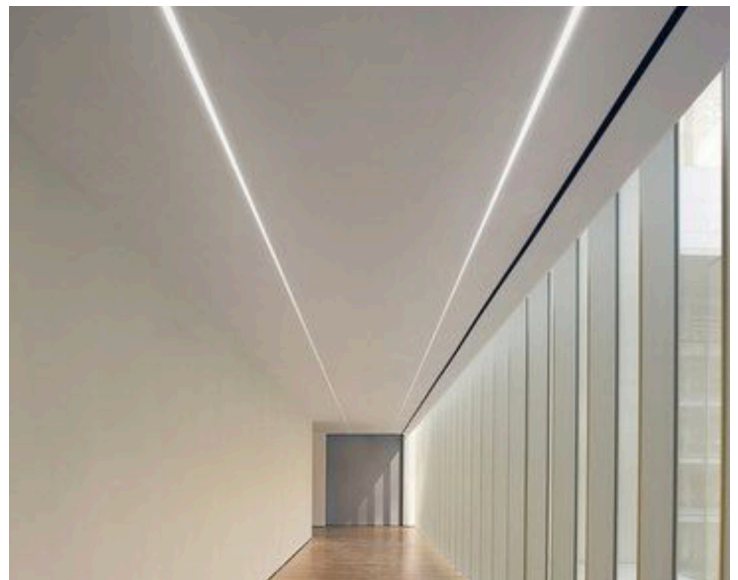
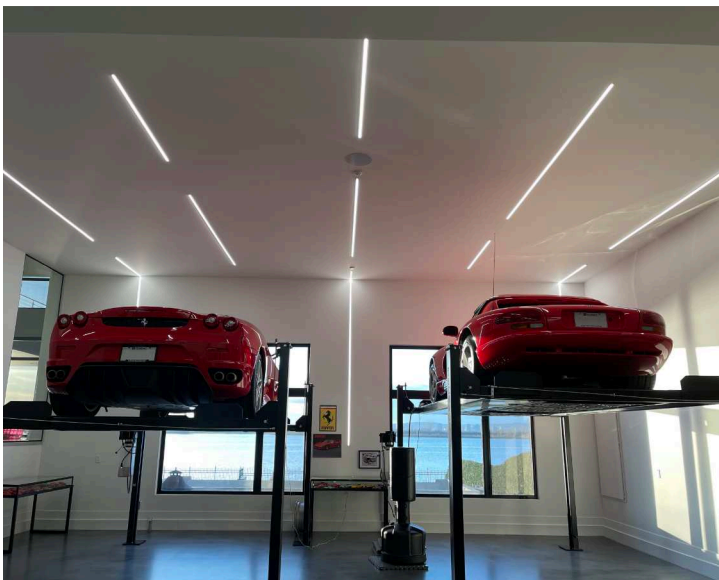


A SLEEK ALUMINUM PROFILE

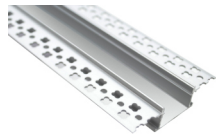
This recessed profile is specially designed to be integrated into gypsum walls. When installing in the wall, its sides are covered with plaster for seamless integration. They can be painted to match your decor. Made of 6063T-5 aluminum, our LED extrusions can be installed both indoors and outdoors. Our 89 series aluminum profile can accommodate a variety of white and colored (RGB-RGBW) LED strips.

FEATURES

- Designed for recessed installation.
- Plastered sides for seamless integration.
- Available in 10 foot lengths.
- Custom fabrication up to 120 inches.
- Certified for the Canadian market.
- For indoor and outdoor use.



COLOR



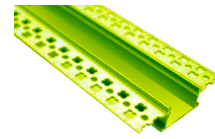
AL - Aluminum - Plain



BK - Aluminum - Black



WH - Aluminum - White



CU - Aluminum - Custom

LENS



OP - Opac

MOUNTING

N/A

ENDCAP



NH - No hole



WH - With hole



PA - For one of each

FILL TO ORDER

LC	PROF	-	89	-		-	OP	-	N/A	-	
BRAND	TYPE		MODEL		COLOR		LENS		MOUNTING		ENDCAP

STANDARD LENGTHS: 10' QUANTITY:

CUSTOM LENGTHS (INCHES):

