

PRODUCT DESCRIPTION

Our LED track light offers exceptional flexibility with customizable beam angles and adjustable heads, allowing you to highlight specific products or areas with precision. Its energy-efficient technology not only reduces operating costs but also ensures longer-lasting performance, making it ideal for accent and display lighting applications. Whether you need focused illumination or a broader light spread, this track fixture adapts to your needs while delivering cost-effective and reliable lighting solutions.

FEATURES

- Color: 2700K, 3000K, 3500K, 4000K, 5000K, 5CCT Selectable.
- Housing: High quality Cold-forged Aluminium Housing for better heat dissipation, available in white or black finishes.
- LEDS:
 - 90+CRI with 3-step MacAdam Ellipse.
 - 90lm/w or 110lm/w high Energy-efficient consume less energy, resulting in lower electricity bills.
 - 50 000 hours long lifespan reducing the need for frequent bulb replacements.
- Driver:
 - AC120V, Triac Dimming
- Adjustable Luminaire Arm: Offers 180° vertical pivoting and 350° horizontal rotation for precise light positioning.
- Zoomable Light Heads: Adjustable from 20° to 50° to accommodate various lighting needs and applications.
- Versatile Applications: Ideal for a range of settings including retail stores, supermarkets, restaurants, shopping malls, grocery stores, hospitality venues, commercial spaces, and residential areas.

TECHNICAL SPECIFICATIONS

Product Code		(White finish) LCTL-GA-15W-CCT-WH	(Black finish) LCTL-GA-15W-CCT-BK
Electrical	Power	15W	
	Lumen	1650lm	
	Voltage	AC120V	
	Light source	SDCM<3, CRI>90	
	Efficiency	110LPW	
	Color temp	2700K/3000K/3500K/4000K/5000K 5CCT Selectable	
	UGR	UGR<19	
	Dimmable	Triac Dimming	
Optical	Diffuser	Lens	
	Beam angle	Zoom 20°-55°	
Construction	Housing material	Cold-forge aluminum housing (White/Black)	
	Aiming	350° horizontal - 180° vertical	
	Dimension	Diameter: Ø66mm/2.6" Height: 134.87mm/5.310"	
Mounting	Installation	H-Type, J-Type Adapter Interchangeable	
Warranty	Certification	ETL, DLC	
	Warranty	5 Years	

APPLICATIONS

Ideal for a range of settings including retail stores, supermarkets, restaurants, shopping malls, grocery stores, hospitality venues, commercial spaces, and residential areas.

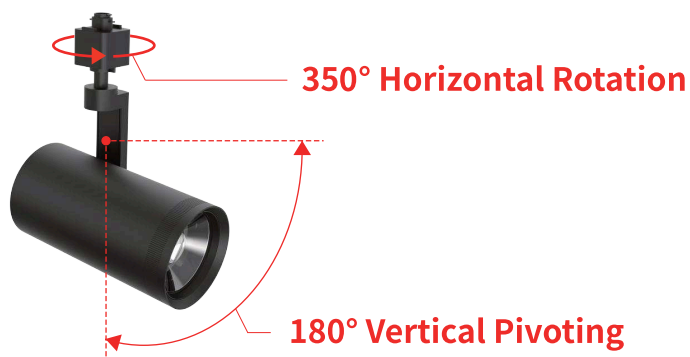


ADAPTER



LUMINAIRE ARM

180° tilt and 350° rotation adjustable.



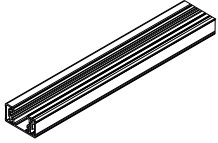
BEAM ANGLE

Zoomable track light heads 20°-50° adjustable to meet different application requirements.

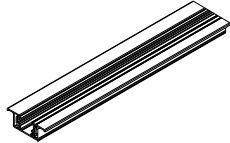


OPTIONAL ACCESSORIES

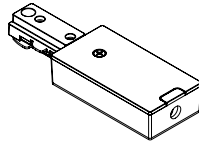
Surface mounted track



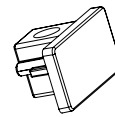
Embedded mounted track



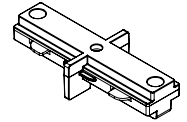
Input end connector



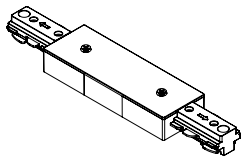
Tail plug



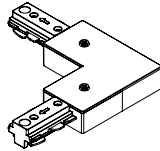
Conductive connector



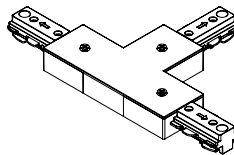
Linear connector



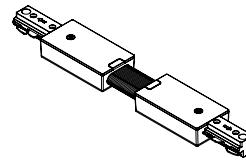
L-type connector



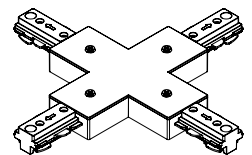
T-type connector



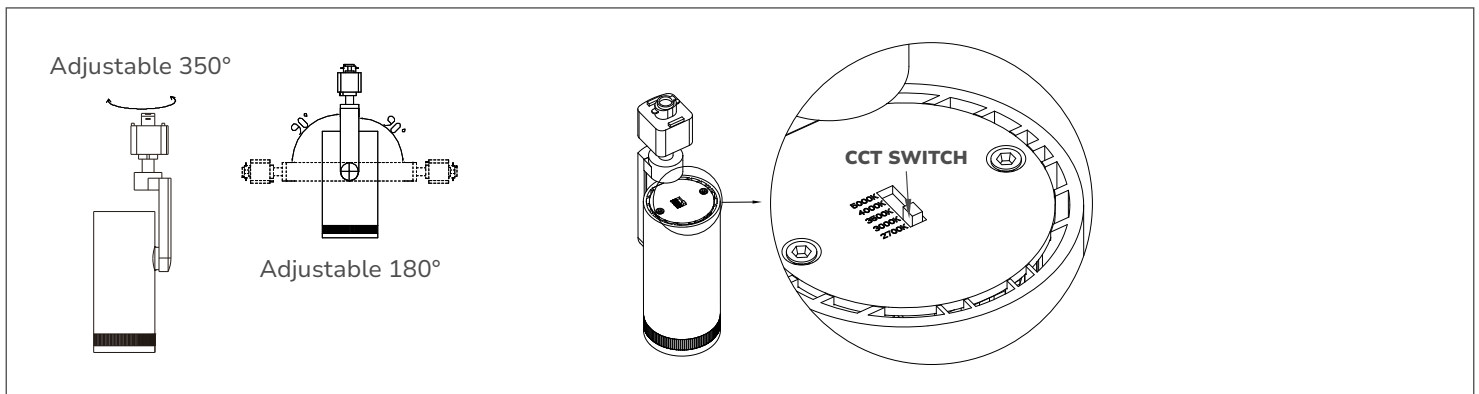
Wire flexible connector



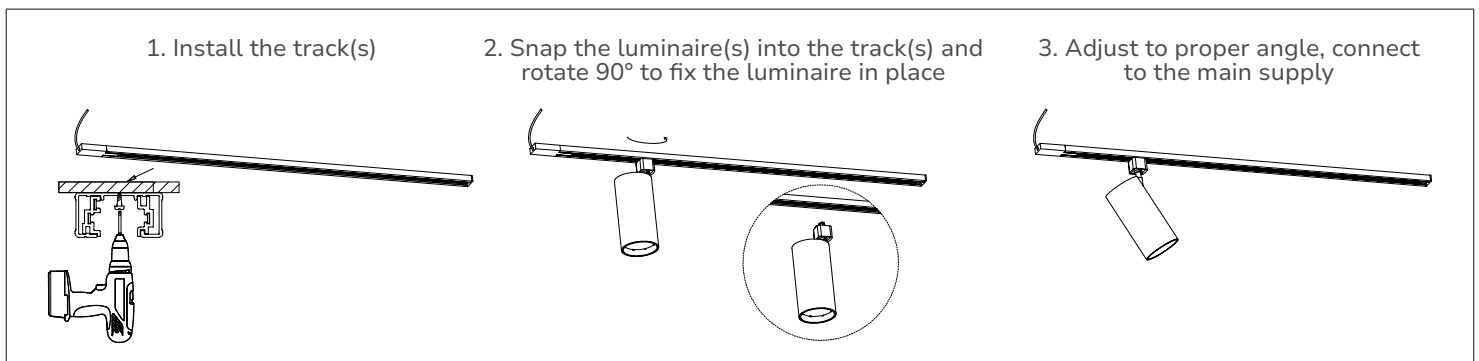
"+" type connector



IN-DEPTH VIEW

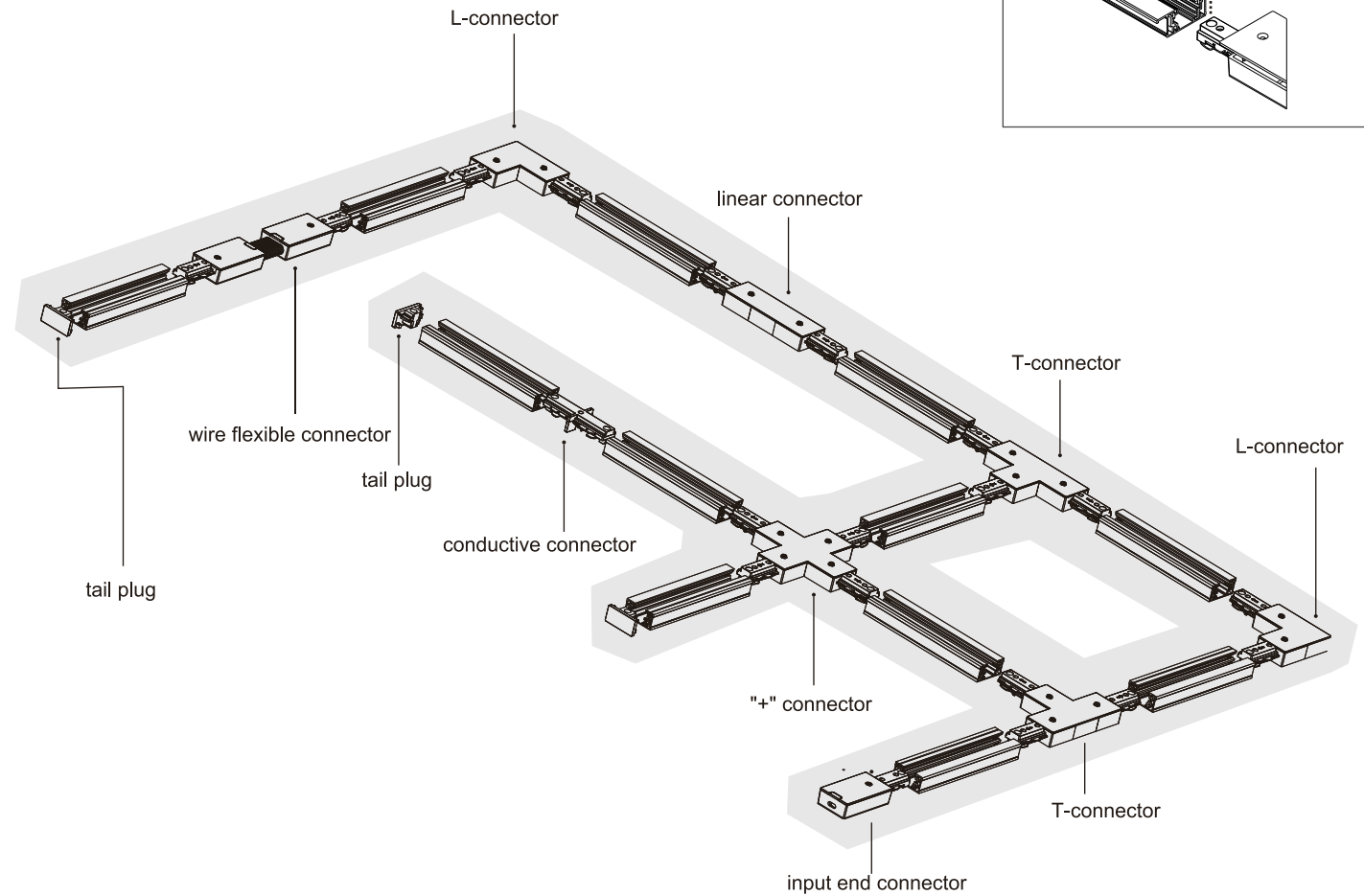
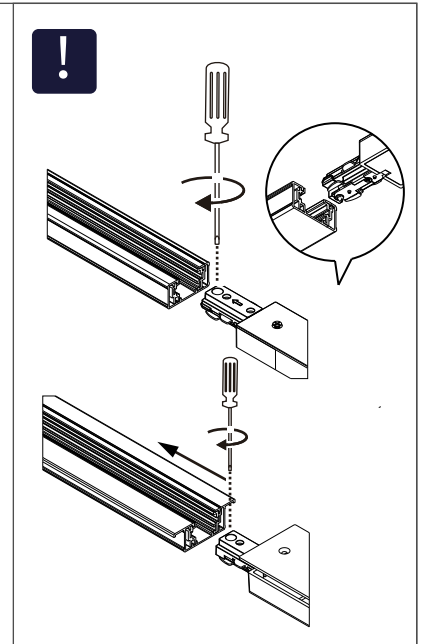


RAIL MOUNTING








RAIL SYSTEM CONNECTION DIAGRAM

Before installation, cut off the spring tab on one side of the ground wire connector and connect it effectively to the track's ground copper wire.



WARNING

-  Risk of fire or electric shock. Fixture installation requires knowledge of luminaires electrical systems. If not qualified, DO NOT attempt installation. Contact a qualified electrician.
-  Risk of fire or electric shock. Suitable for wet locations. Always turn off the power supply before installation.
-  Risk of fire or electric shock. Suitable for non-insulated surface and frame. DO NOT cover fixture with insulation liner or similar material.
-  DO NOT install fixture on unstable, loose or easily breakable surface.
-  DO NOT exert force on the surface of the fixture.

NOTE

1. The installation and maintenance must be completed by electricians or professionals.
2. Please cut off the power before installation and maintenance.
3. The thermally insulating material is not allowed to cover the fixture.
4. Please keep away from the corrosive substance, and keep the fixture dry and clean.
5. Working temperature: -4°F~113°F, storage temperature: -22°F~140°F.