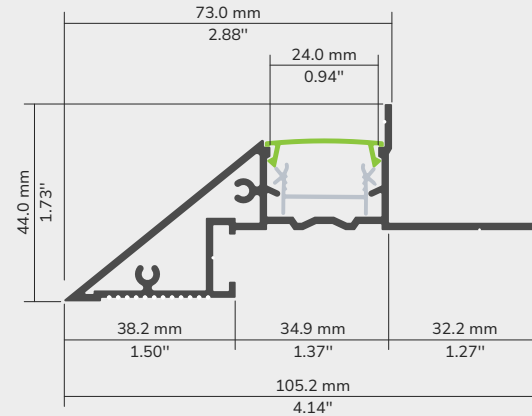


TECHNICAL DRAWING

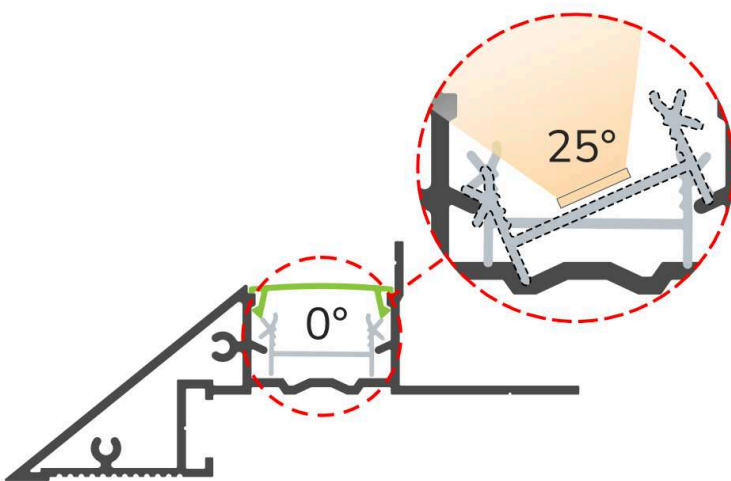


PERFECT FOR COVE LIGHTING

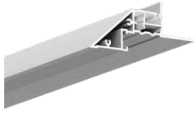
The 690 profile is designed for cove lighting long linear runs. It allows for lengths of up to 164 feet in a single roll, with uninterrupted light and no need for a driver. The aluminum channel fits directly into standard gypsum panels, ensuring a seamless finish that simplifies cove construction. A polycarbonate insert accommodates a light strip at a 0, 25, or -25-degree angle, directing the light precisely as needed. Enhance your space with this innovative recessed lighting solution.

FEATURES

- Made of ALCOA 6063-T5 Aluminium alloy increasing heat dissipation.
- Ordered in length of 96 inches (2.43m), cuttable on site for easy and precise installation.
- A direct fit for standard 5/8" gypsum panels, will also accommodate 1/2" panels with the installation of 1/8" shims onsite.
- The grooved area allows leveling of the profile to the plasterboard using drywall mud.
- Insert to easily install and hold the LED in place.
- Insert can be angled at 0, 25, or -25 degrees.
- Aluminum channel is field paintable.
- Indoor use.



COLOR



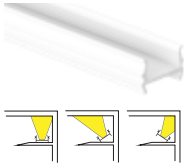
Aluminum

LENS



Prime lens

INSERT MOUNT



Flat insert mount

JOINERS



Type B straight joiner



Type B horizontal 135° joiner



Type B horizontal 90° joiner



Type B vertical 90° joiner

