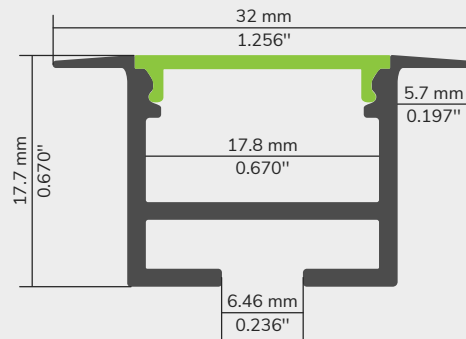


TECHNICAL DRAWING



A PILLAR OF YOUR ATMOSPHERE

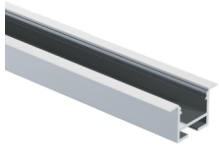
This recessed profile is designed to make the light source invisible. Its dorsal rail and butterfly clips allows it to be attached to thin materials that do not have sufficient thickness for the use of conventional brackets. They can be painted to match your decor. Made of 6063T-5 aluminum, our LED extrusions can be installed both indoors and outdoors. Our 88 series aluminum profile can accommodate a variety of white and colored (RGB-RGBW) LED strips.

FEATURES

- Designed for surface or suspended.
- Available in 8 and 16 foot lengths.
- Custom fabrication up to 192 inches.
- Certified for the Canadian market.
- Butterfly clips for easy and secure installation.
- For indoor and outdoor use.



COLOR



AL - Aluminum - Plain

LENS



OP - Opaque



BK - Black

MOUNTING



SP - Butterfly

ENDCAP



NH - No hole



WH - With hole



PA - For one of each

FILL TO ORDER

LC	PROF	-	88	-		-	OP	-	SP	-	
BRAND	TYPE		MODEL		COLOR		LENS		MOUNTING		ENDCAP

STANDARD LENGTHS: 8' QUANTITY: 16' QUANTITY:

CUSTOM LENGTHS (INCHES):

