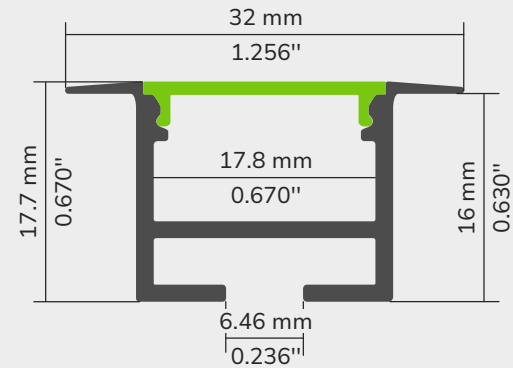


TECHNICAL DRAWING



A PILLAR OF YOUR ATMOSPHERE

This recessed profile is designed to make the light source invisible. Its dorsal rail and butterfly clips allows it to be attached to thin materials that do not have sufficient thickness for the use of conventional brackets. They can be painted to match your decor. Made of 6063T-5 aluminum, our LED extrusions can be installed both indoors and outdoors. Our 88 series aluminum profile can accommodate a variety of white and colored (RGB-RGBW) LED strips.

FEATURES

- Designed for surface or suspended.
- Available in 8 foot length.
- Custom fabrication up to 96 inches.
- Certified for the Canadian market.
- Butterfly clips for easy and secure installation.
- For indoor and outdoor use.

